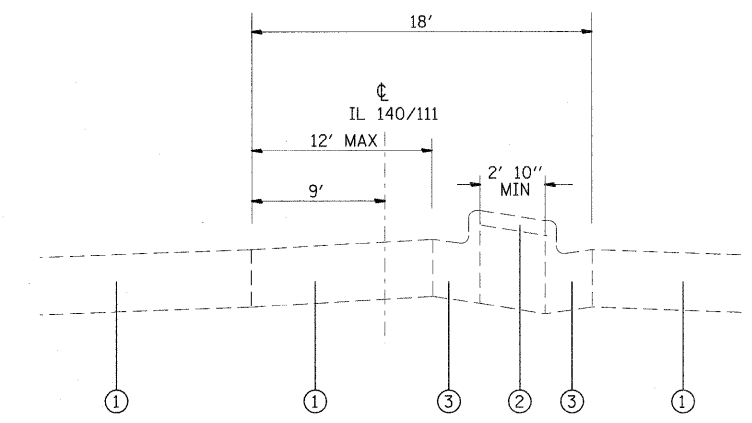


TYPICAL SECTION IL 140/111
 STA. 456+00 TO STA. 468+60
 WOODRIVER AVE. TO WILLIAMS STREET

*1.5% CROSS-SLOPE IN TANGENT SECTION, VARIES IN SUPERELEVATED SECTIONS.

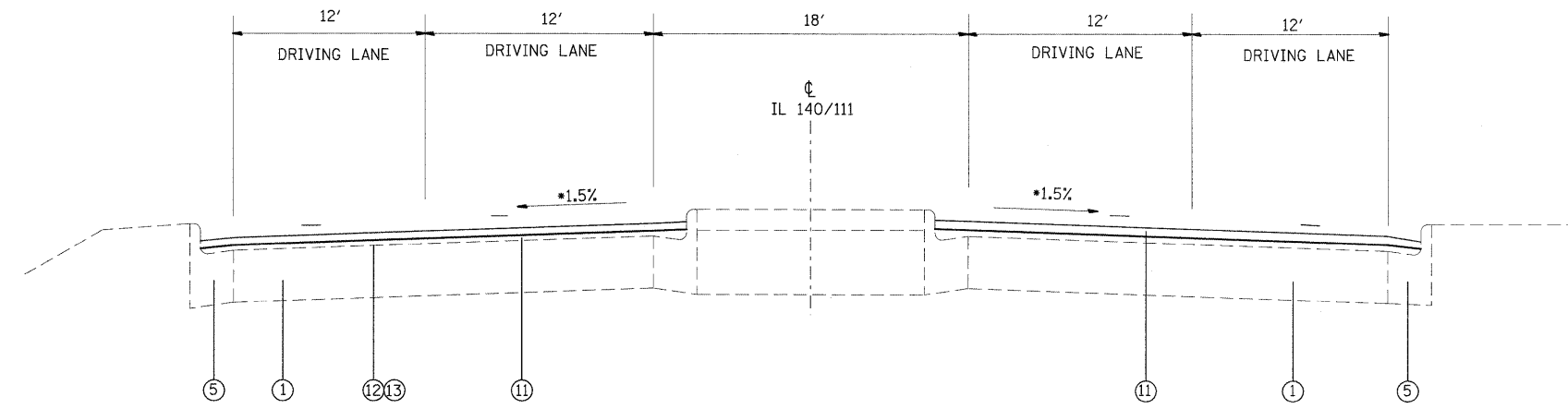


TYPICAL SECTION IL 140/111
 FULL LEFT TURN LANE

12' LEFT TURN LANE WIDTH VARIES IN TRANSITION AREAS.
 MEDIAN WIDTH TO INCREASE PROPORTIONALLY TO DECREASE IN WIDTH OF LEFT TURN LANE WIDTH.
 CURB AND GUTTER FLAG SLOPE EQUALS PAVEMENT CROSS-SLOPE IN SUPERELEVATED SECTIONS.

LEGEND

- ① EXISTING 10" PCC PAVEMENT
- ② EXISTING PCC MEDIAN 4"
- ③ EXISTING CC & G M6.12
- ④ EXISTING HMA MEDIAN (VARIABLE DEPTH)
- ⑤ EXISTING CC & G B6.24
- ⑥ EXISTING CC & G B9.24
- ⑦ EXISTING HMA OVERLAY (2 1/2")
- ⑧ EXISTING HMA SHOULDER (10")
- ⑨ EXISTING CON. REINFORCED CONC. PAVEMENT (8")
- ⑩ PROPOSED HMA SURFACE COURSE, MIX D, N90 (1 1/2")
- ⑪ PROPOSED LEVELING BINDER (MM), N90 (1")
- ⑫ PROPOSED BITUMINOUS MATERIALS (PRIME COAT)
- ⑬ PROPOSED AGGREGATE (PRIME COAT)
- ⑭ PROPOSED PORTLAND CEMENT CONCRETE BASE COURSE 10"
- ⑮ PROPOSED HMA SHOULDERS (TON)
- ⑯ PROPOSED AGG. WEDGE SHOULDER, TYPE B (TON)
- ⑰ PROPOSED HMA SURFACE REMOVAL (1 1/2")
- ⑱ PROPOSED AGG BASE COURSE, TYPE B (4")



TYPICAL SECTION IL 140/111
 STA. 456+00 TO STA. 468+60
 WOODRIVER AVE. TO WILLIAMS STREET

*1.5% CROSS-SLOPE IN TANGENT SECTION, VARIES IN SUPERELEVATED SECTIONS.

REVISI^oN SHEET 4/13/11

FILE NAME =	USER NAME = karlasal	DESIGNED -	REVISED -	STATE OF ILLINOIS DEPARTMENT OF TRANSPORTATION	TYPICAL SECTIONS	F.A.P. RTE.	SECTION	COUNTY	TOTAL SHEETS	SHEET NO.	
ca:\pw\work\p\dot\karlasal\10169744\d87	bb02-sht-plan.dgn	DRAWN -	REVISED -			785	(132-2,3,4, 133-1)RS	MADISON	122	23	
PLOT SCALE = 50,0000' / IN.		CHECKED -	REVISED -			CONTRACT NO. 76B80					
PLOT DATE = 3/17/2011		DATE -	REVISED -			FED. ROAD DIST. NO. _ ILLINOIS FED. AID PROJECT					