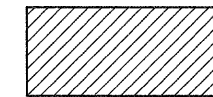
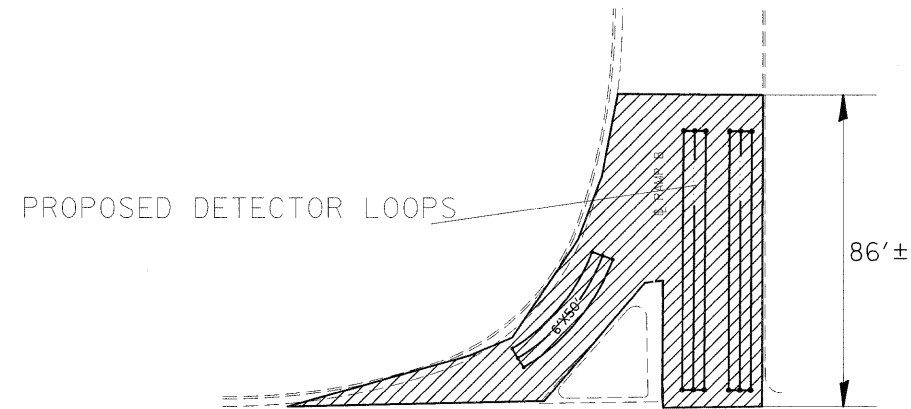
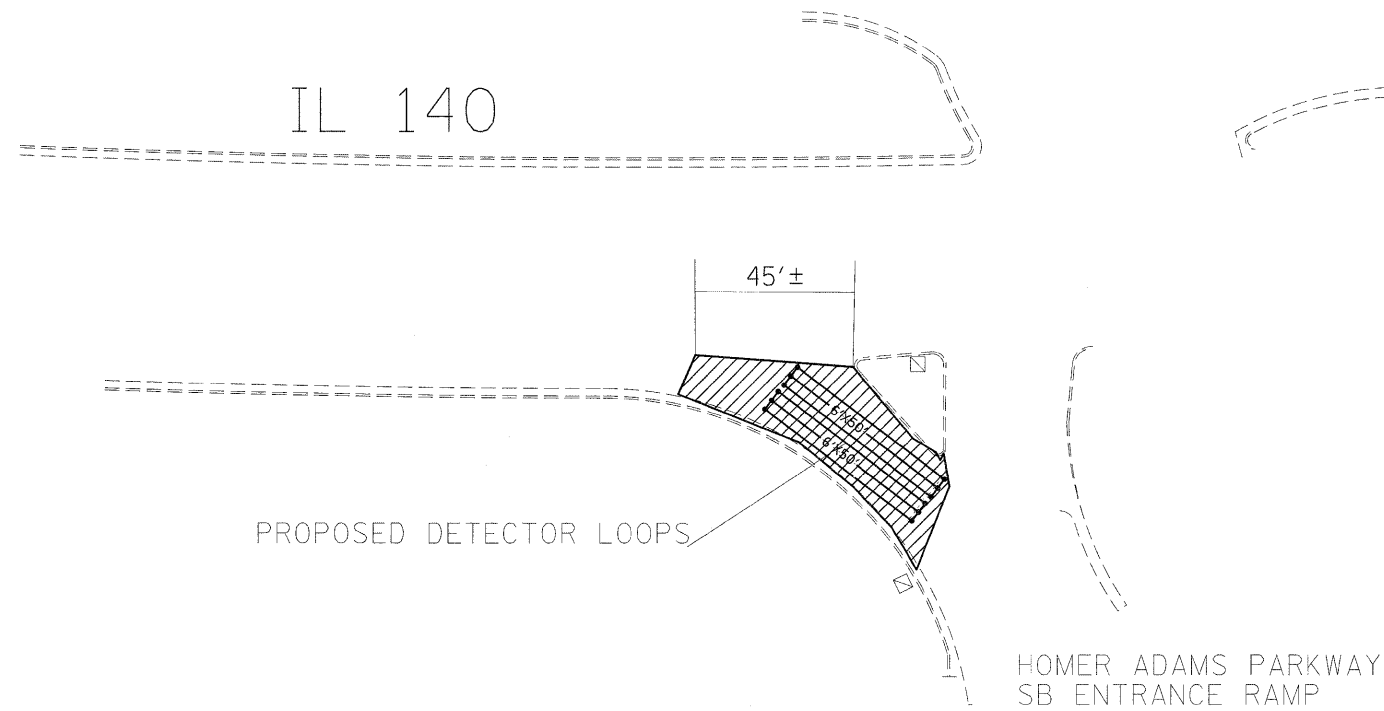


HOMER ADAMS PARKWAY
SB EXIT RAMP



PROPOSED 1 1/2" BUTT JOINT (BJ)
INCIDENTAL HMA SURFACING
(2 1/2" @ EOP TO 1 1/2" @ BJ)

IL 140



NOT TO SCALE

⚠️ REVISED SHEET 4/13/11

FILE NAME = e:\pwork\puidot\karlasal\ad0169744\d87	USER NAME = karlasal	DESIGNED -	REVISED -	STATE OF ILLINOIS DEPARTMENT OF TRANSPORTATION	DETAILS	F.A.P. RTE.	SECTION	COUNTY	TOTAL SHEETS	SHEET NO.
	PLOT SCALE = 50.0000' / IN.	CHECKED -	REVISED -			785	(132-2,3,4, 133-1RS)	MADISON	122	70
PLOT DATE = 3/18/2011	DATE -	REVISED -	REVISED -		SCALE: _____ SHEET NO. ___ OF ___ SHEETS STA. _____ TO STA. _____		CONTRACT NO. 76B80			
					FED. ROAD DIST. NO. - ILLINOIS FED. AID PROJECT					