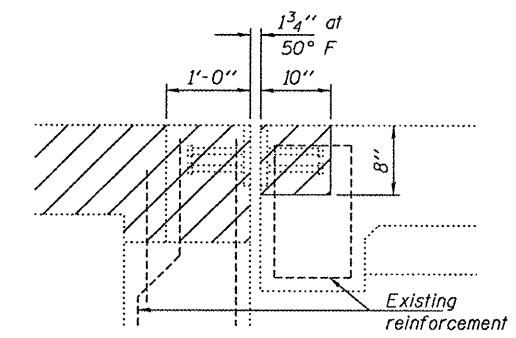
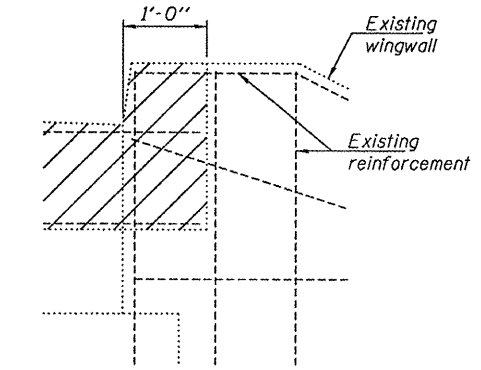


Hatched areas indicate removal.



SECTION THRU JOINT



REMOVAL AT WINGWALL

DESIGNED IJL
 CHECKED ATH
 DRAWN baliva
 CHECKED IJL ATH

EXAMINED *James F. J...* DATE MARCH 16, 2011
 ACTING ENGINEER OF STRUCTURAL SERVICES
 PASSED *Carl King*
 ACTING ENGINEER OF BRIDGES AND STRUCTURES

STATE OF ILLINOIS
 DEPARTMENT OF TRANSPORTATION

REMOVAL PLAN
 SN 003-0009 (EB) & 003-0010 (WB)

F.A.I. RTE.	SECTION	COUNTY	TOTAL SHEETS	SHEET NO.
70	3-4B1-1		35	5
BOND			CONTRACT NO. 76E23	
ILLINOIS FED. AID PROJECT				

SHEET NO. 2 OF 9 SHEETS