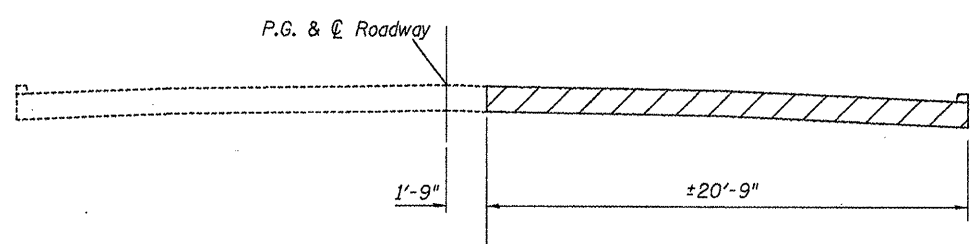
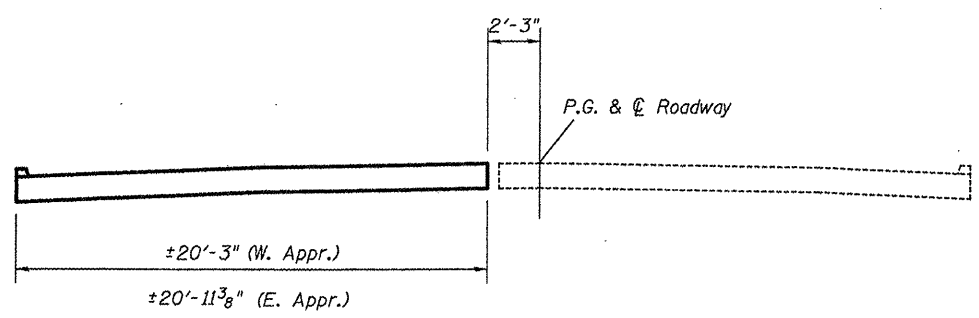


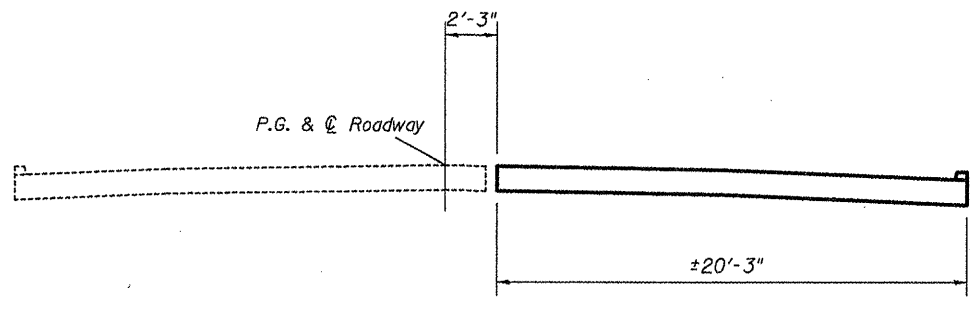
**STAGE I REMOVAL (APPROACH PAVEMENT) (W.B.)**  
Looking East



**STAGE I REMOVAL (APPROACH PAVEMENT) (E.B.)**  
Looking East



**STAGE I CONSTRUCTION (APPROACH PAVEMENT) (W.B.)**  
Looking East



**STAGE I CONSTRUCTION (APPROACH PAVEMENT) (E.B.)**  
Looking East

Match existing X-section slopes

DESIGNED - AYW	EXAMINED	DATE - February 18, 2011
CHECKED - ---	ENGINEER OF STRUCTURAL SERVICES	
DRAWN - AYW	PASSED	
CHECKED - ---	ENGINEER OF BRIDGES AND STRUCTURES	

**STATE OF ILLINOIS  
DEPARTMENT OF TRANSPORTATION**

F.A.I. RTE. 70	SECTION	COUNTY	TOTAL SHEETS	SHEET NO.
	3-481-1	Bond	35	13
SHEET NO. 10 OF 32 SHEETS			CONTRACT NO. 76E23	

ILLINOIS FED. AID PROJECT	
---------------------------	--