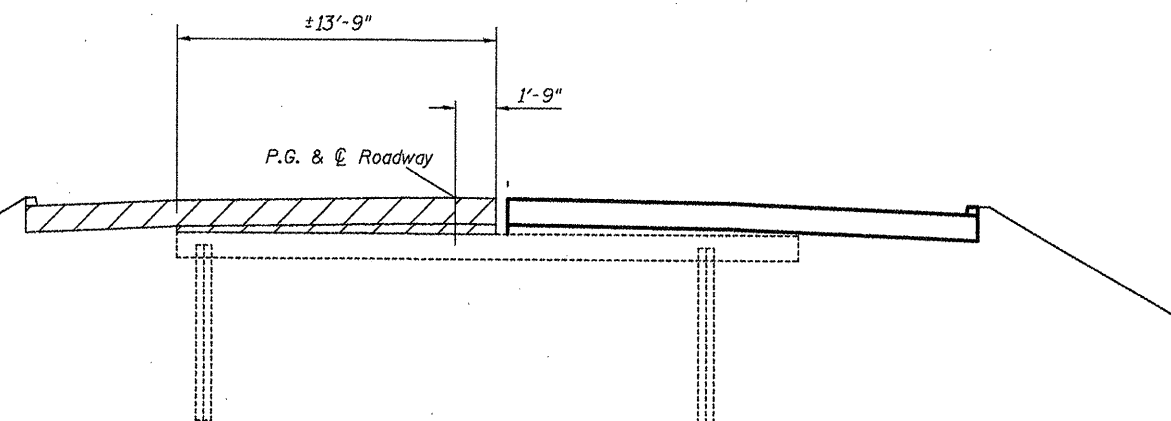


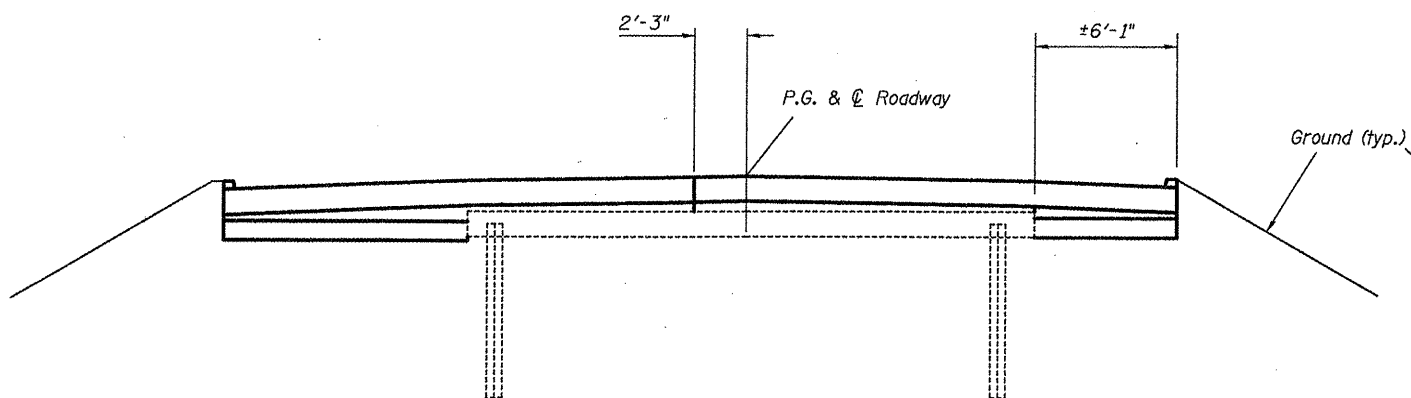
STAGE II REMOVAL (X-SEC @ APPROACH FOOTING) (W.B.)

Looking East



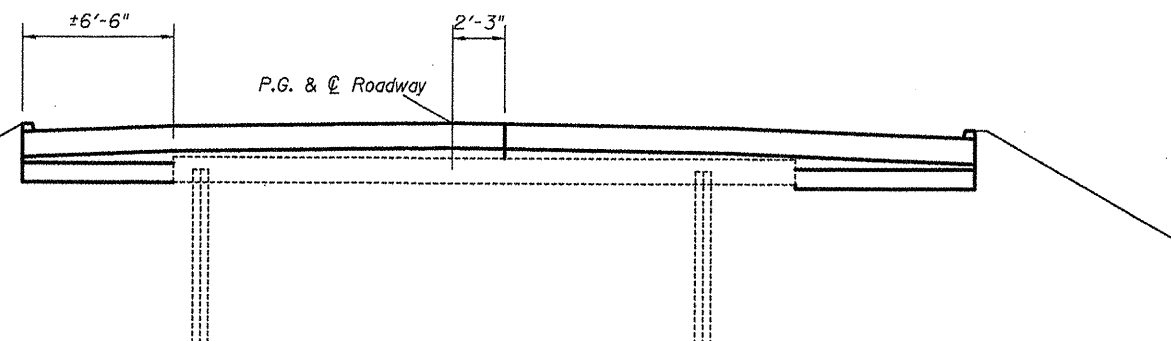
STAGE II REMOVAL (X-SEC @ APPROACH FOOTING) (E.B.)

Looking East



STAGE II CONSTRUCTION (X-SEC @ APPROACH FOOTING) (W.B.)

Looking East



STAGE II CONSTRUCTION (X-SEC @ APPROACH FOOTING) (E.B.)

Looking East

Match existing X-section slopes

DESIGNED - AYW	EXAMINED	DATE - February 18, 2011
CHECKED -	ENGINEER OF STRUCTURAL SERVICES	
DRAWN - AYW	PASSED	
CHECKED -	ENGINEER OF BRIDGES AND STRUCTURES	

**STATE OF ILLINOIS
DEPARTMENT OF TRANSPORTATION**

STAGE II REMOVAL & CONSTRUCTION (X-SEC @ APPROACH FOOTING)

SHEET NO. 13 OF 32 SHEETS

F.A.I. RTE.	SECTION	COUNTY	TOTAL SHEETS	SHEET NO.
70	3-4BI-1	Bond	35	16
			CONTRACT NO. 76E23	
ILLINOIS FED. AID PROJECT				