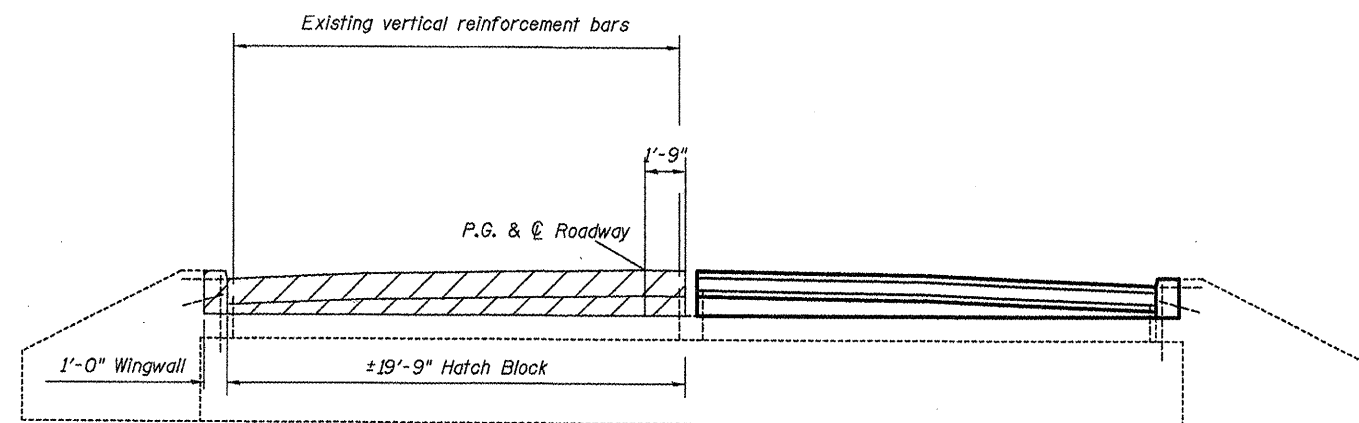


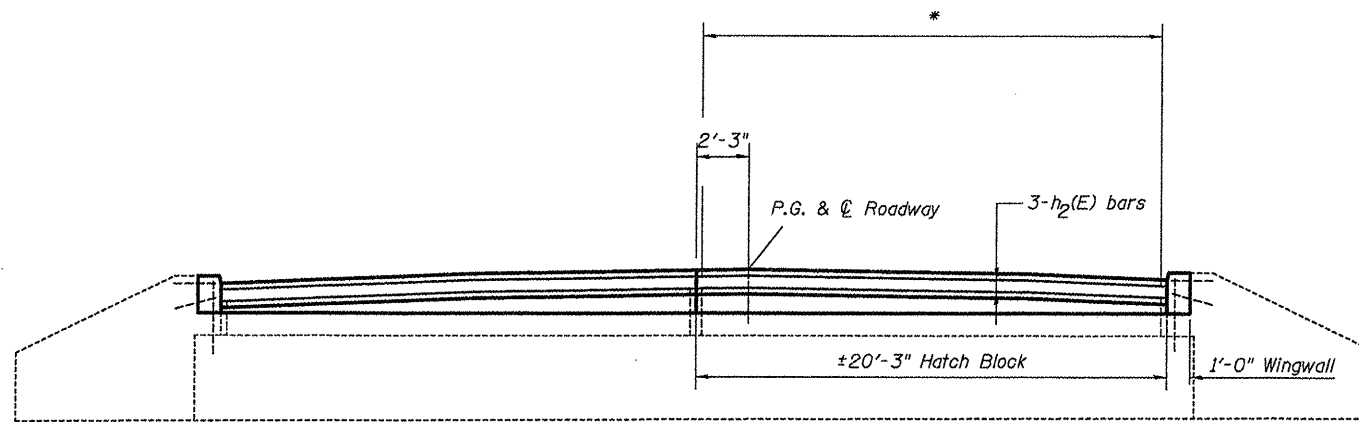
**STAGE II REMOVAL (HATCH BLOCK & WINGWALL) (W.B.)**

Looking East



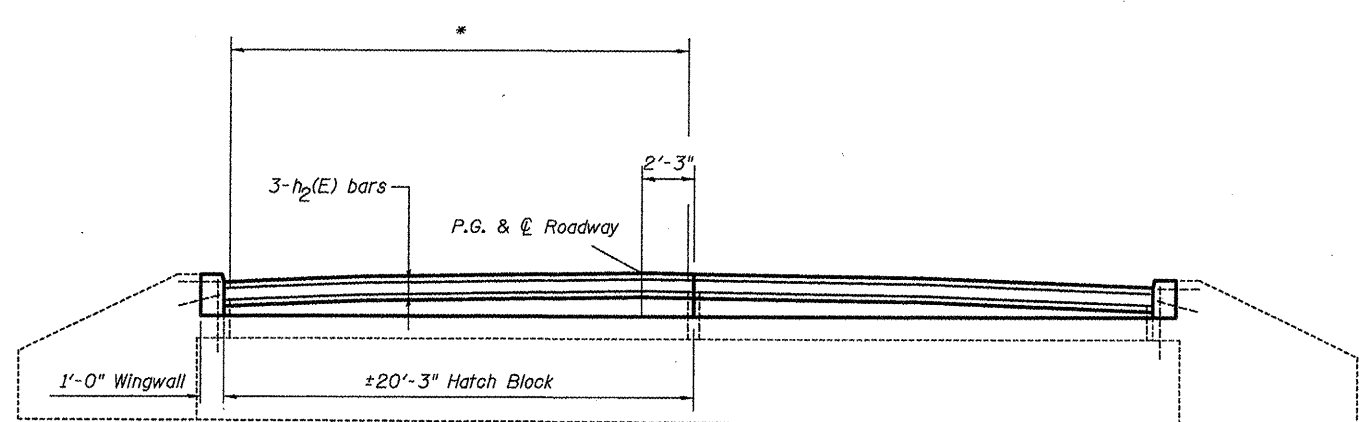
**STAGE II REMOVAL (HATCH BLOCK & WINGWALL) (E.B.)**

Looking East



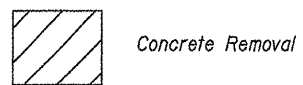
**STAGE II CONSTRUCTION (HATCH BLOCK & WINGWALL) (W.B.)**

Looking East



**STAGE II CONSTRUCTION (HATCH BLOCK & WINGWALL) (E.B.)**

Looking East



Match existing X-section slopes

\* Existing vertical reinforcement bars in the abutment backwall extending into the removed area shall be cleaned, straightened and incorporated into the new construction.

\*\*Existing reinforcement bars in the removed area shall be cleaned, straightened and incorporated into the new construction.

DESIGNED - AYV	EXAMINED
CHECKED - ---	ENGINEER OF STRUCTURAL SERVICES
DRAWN - AYV	PASSED
CHECKED - ---	ENGINEER OF BRIDGES AND STRUCTURES

DATE - February 18, 2011
--------------------------

**STATE OF ILLINOIS  
DEPARTMENT OF TRANSPORTATION**

**HATCHBLOCK & WINGWALL (STAGE II REMOVAL & CONSTRUCTION)**

F.A.I. RTE.	SECTION	COUNTY	TOTAL SHEETS	SHEET NO.
TO	3-481-1	Bond	35	26
			CONTRACT NO. 76E23	
ILLINOIS FED. AID PROJECT				