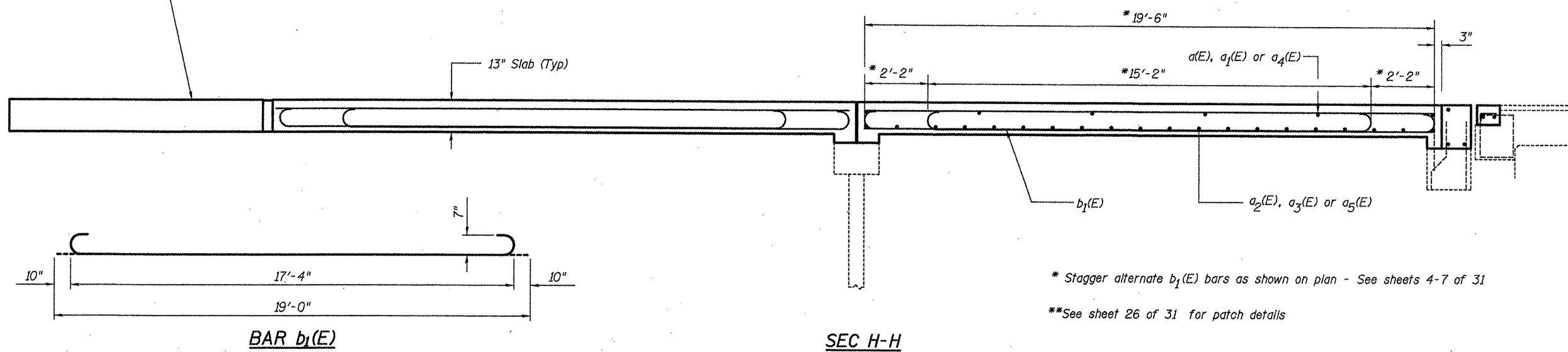
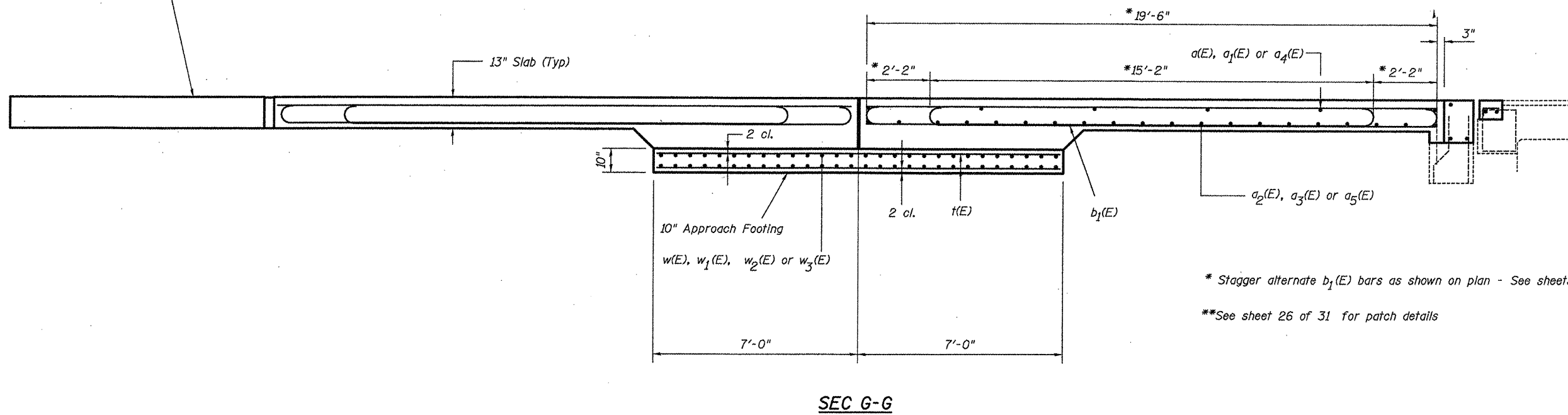


**Class B Patches, Type II, 13"



**Class B Patches, Type II, 13"



DESIGNED - AYW	EXAMINED	DATE - February 18, 2011
CHECKED -	ENGINEER OF STRUCTURAL SERVICES	
DRAWN - AYW	PASSED	
CHECKED -	ENGINEER OF BRIDGES AND STRUCTURES	

STATE OF ILLINOIS
DEPARTMENT OF TRANSPORTATION

PROPOSED WEST APPROACH

SHEET NO. 25 OF 32 SHEETS

F.A.I. RTE.	SECTION	COUNTY	TOTAL SHEETS	SHEET NO.
70	3-4BI-1	Bond	35	28
			CONTRACT NO. 76E23	
ILLINOIS FED. AID PROJECT				