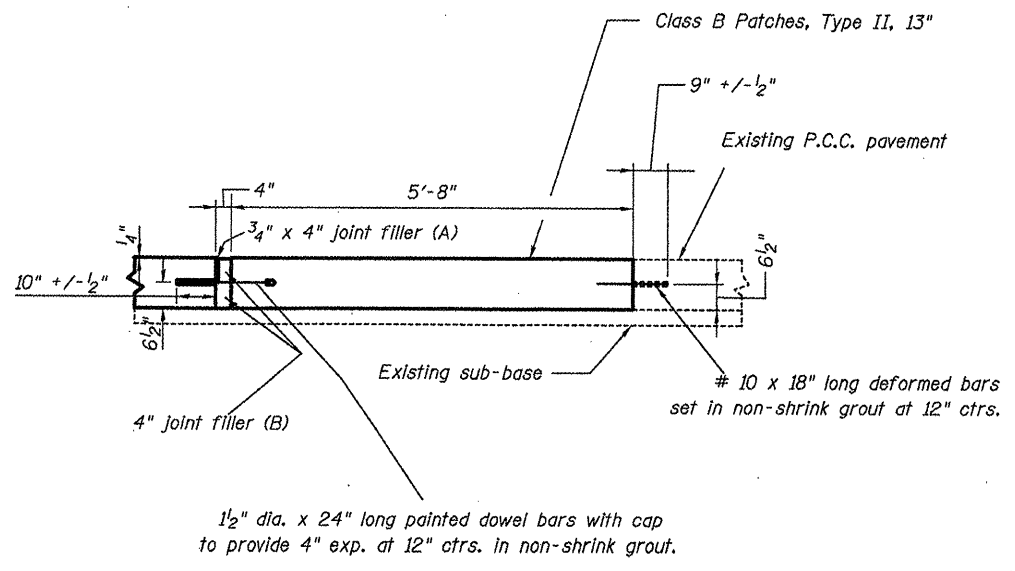


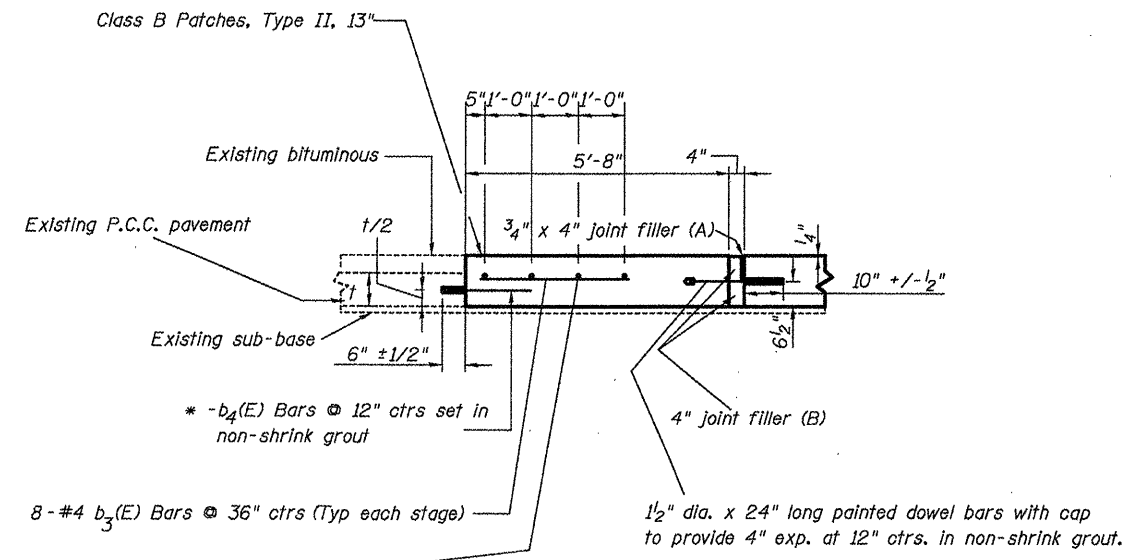
**CLASS B PATCHES, TYPE II, 13"**

(EB W Appr)  
(Looking North)



**CLASS B PATCHES, TYPE II, 13"**

(E Appr)  
(Looking North)



**CLASS B PATCHES, TYPE II, 13"**

(WB W Appr)  
(Looking North)

**\*\*Bar List (Patch)**

Bar	No.	Size	Length	Shape
$b_3(E)$	16	#4	3'-2"	————
$b_4(E)$	43	#10	1'-9"	————
$a_{10}(E)$	4	#5	19'-11"	————
$a_{11}(E)$	4	#5	20'-7"	————

\* 21 bars in Stage I  
22 bars in Stage II

\*\* Include in the cost of "Class B Patches, Type II"