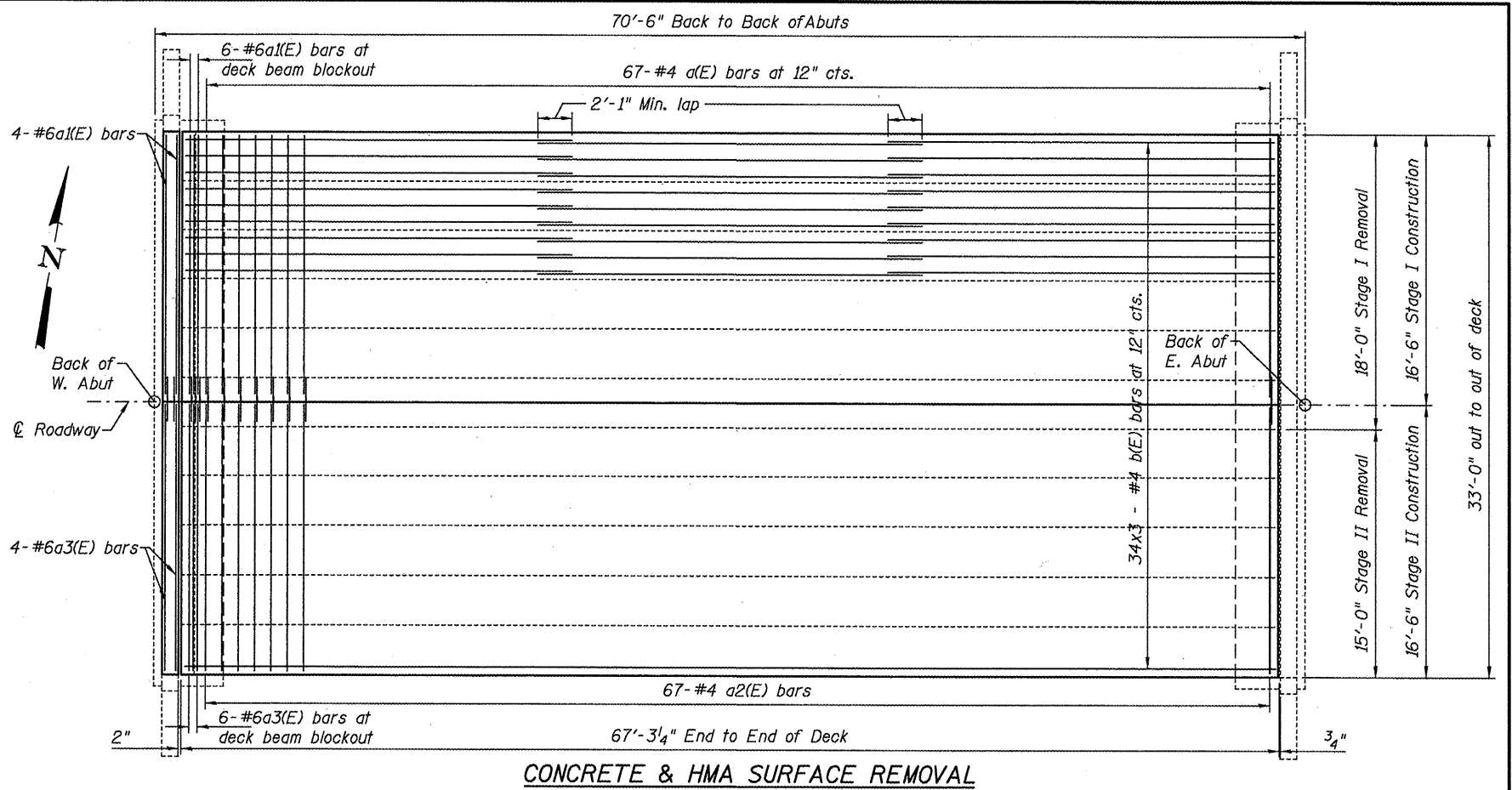


CONCRETE & HMA SURFACE REMOVAL



CONCRETE & HMA SURFACE REMOVAL

Notes:
 Existing reinforcement and coil loops shall be cleaned and incorporated into the new construction. Cost included with Concrete Removal.
 Contractor should use extreme care during removal of the concrete in the PPC deck beam blockouts, to ensure the PPC deck beams are not damaged. Any damage to the PPC deck beams is to be repaired by the contractor at his expense.

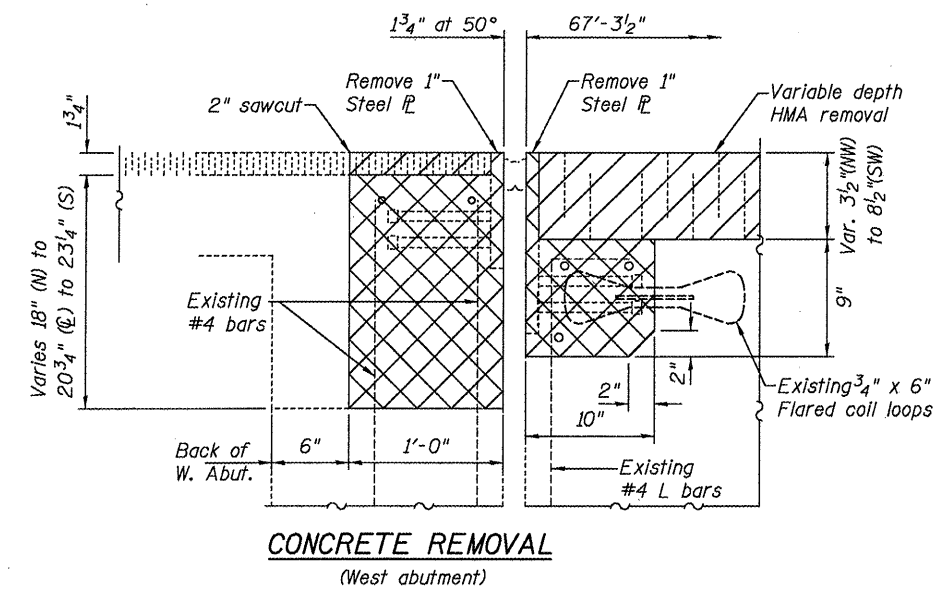
FIELD MEASURED THICKNESS OF EXISTING HMA WEARING SURFACE (in.)

	W. Abut	1/4 Point	Midpoint	3/4 Point	E. Abut
Left (N) edge	3.50	4.00	5.00	7.50	11.75
C.L.	3.50	3.75	4.00	4.75	5.00
Right (S) edge	8.50	6.25	5.00	4.50	6.00

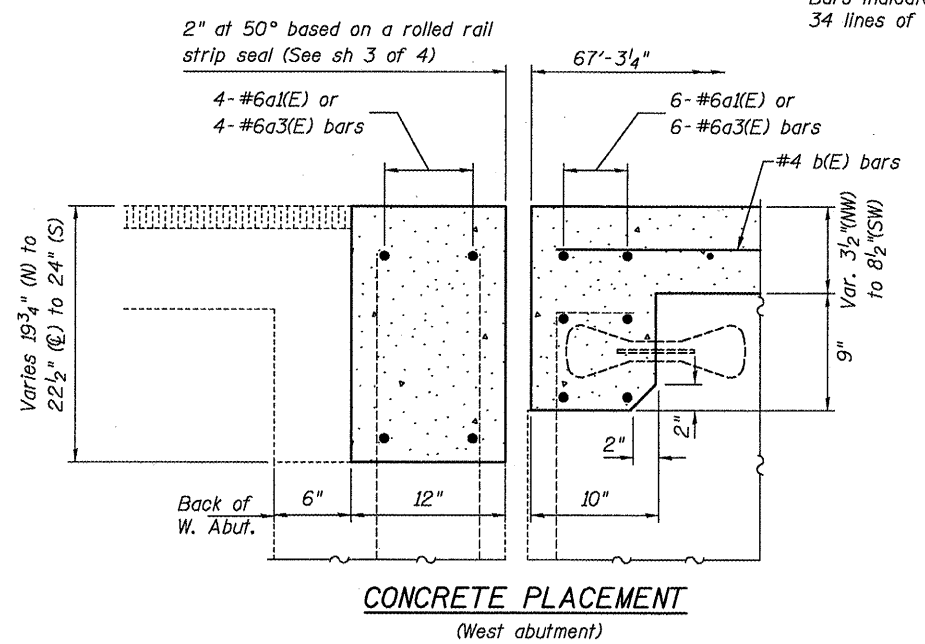
REBAR BILL OF MATERIAL

Bar	No.	Size	Length	Shape	
a(E)	67	#4	15'-10"	—	
a1(E)	10	#6	15'-10"	—	
a2(E)	67	#4	16'-2"	—	
a3(E)	10	#6	16'-2"	—	
b(E)	102	#4	23'-9"	—	
Reinforcement Bars, Epoxy Coated				Pound	3,530

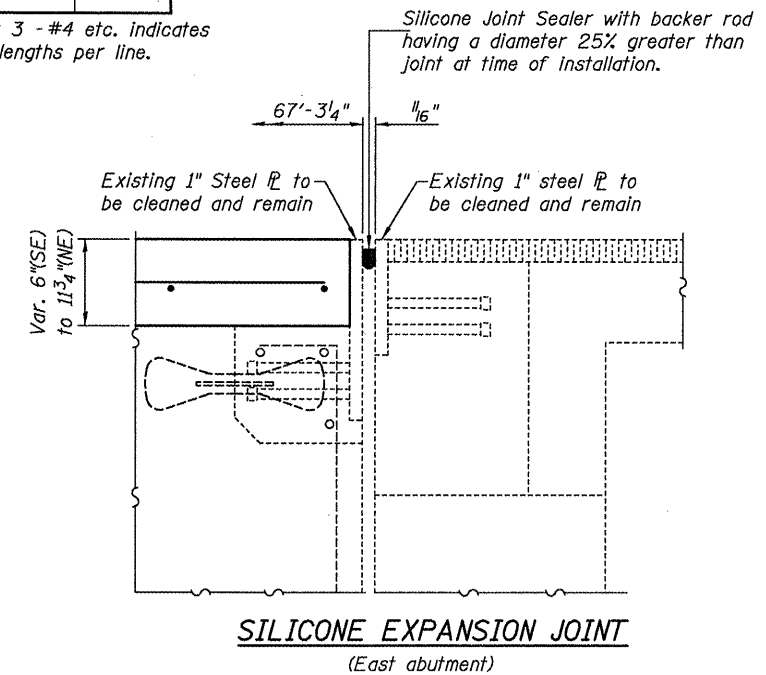
Bars indicated thus 34 x 3 - #4 etc. indicates 34 lines of bars with 3 lengths per line.



CONCRETE REMOVAL
(West abutment)



CONCRETE PLACEMENT
(West abutment)



SILICONE EXPANSION JOINT
(East abutment)