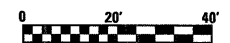
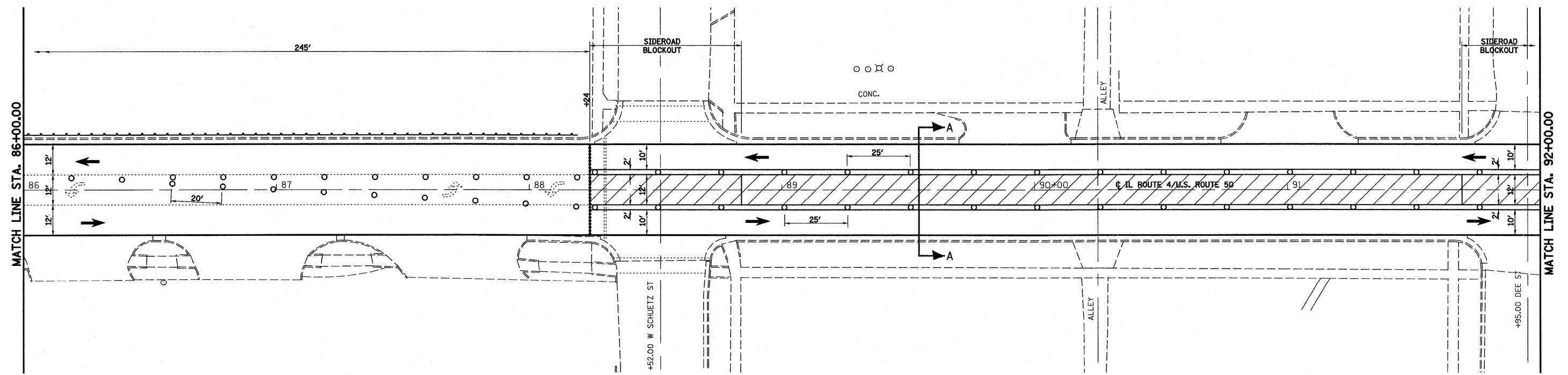


**LEGEND**

- WORK AREA THIS STAGE
- TEMPORARY PAVEMENT (INCIDENTAL HMA SURFACING)
- TYPE I OR II BARRICADE WITH FLASHING LIGHT
- DRUM OR BARRICADE
- SIGN ON PORTABLE OR PERMANENT SUPPORT
- TYPE III BARRICADE
- DIRECTION OF TRAFFIC

**GENERAL STAGING NOTES:**

1. SEE SPECIAL PROVISIONS FOR REQUIREMENTS FOR MAINTAINING ACCESS TO ENTRANCES, ALLEYS AND SIDEROADS. PAVING BLOCKOUTS AT SIDEROADS SHALL BE UTILIZED TO MAINTAIN TRAFFIC FOR STAGE CONSTRUCTION.
2. THE REMOVAL OF ANY TEMPORARY PAVEMENT DURING STAGE CONSTRUCTION SHALL BE INCLUDED IN THE COST OF INCIDENTAL HMA SURFACING.



FILE NAME =	USER NAME = paul	DESIGNED - ESW	REVISED -	<b>STATE OF ILLINOIS DEPARTMENT OF TRANSPORTATION</b>	<b>STAGE CONSTRUCTION DETAILS STAGE 3, IL ROUTE 4</b>			F.A.P RTE. 314	SECTION (110, 111)RS-4	COUNTY MADISON & ST. CLAIR	TOTAL SHEETS 58	SHEET NO. 17	
Plot Scale = 1/4" = 20'	Plot Date = 2/4/2011	DRAWN - PDB	REVISED -		SCALE: 1"=20'	SHEET NO. 5 OF 6 SHEETS	STA.	TO STA.	CONTRACT NO. 76E29				
		CHECKED - BRM	REVISED -		FED. ROAD DIST. NO. ILLINOIS FED. AID PROJECT								
		DATE - 11-1-10	REVISED -										