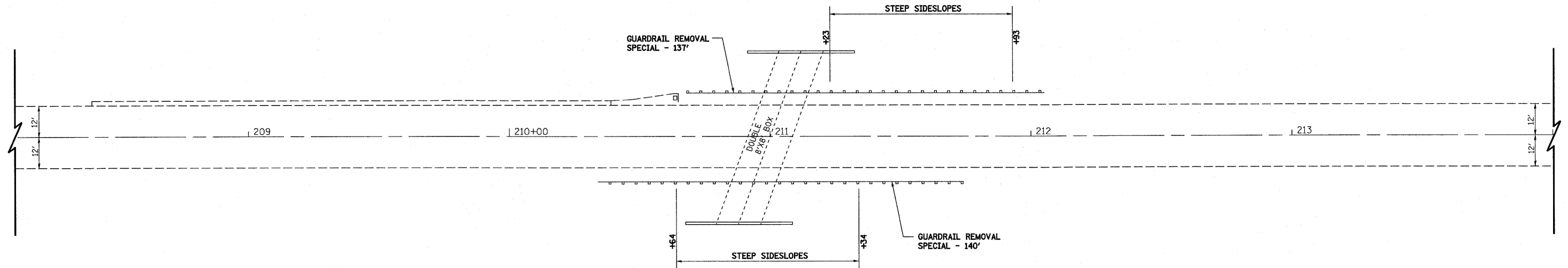
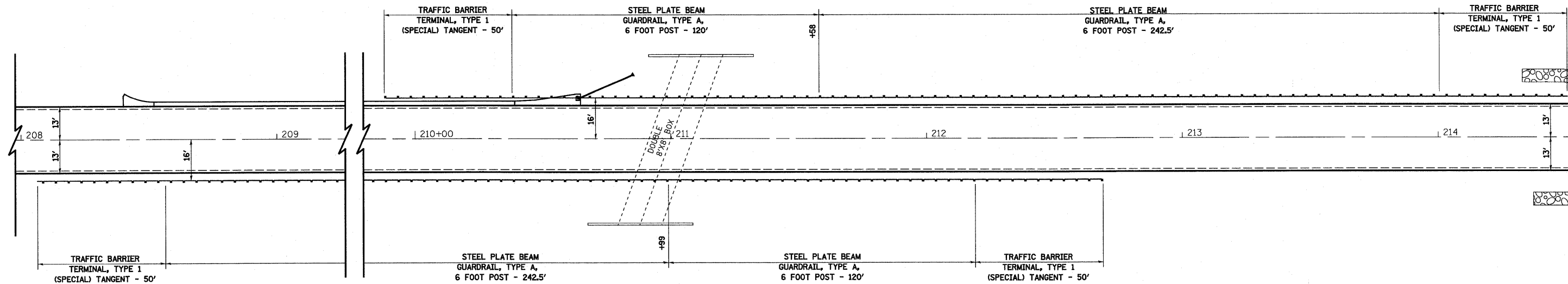
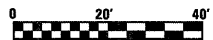


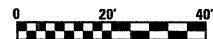
**GUARDRAIL LOCATION #7**



**EXISTING CONDITION**



**PROPOSED CONDITION**



FILE NAME = S:\Projects\409-0028-91Y L 4 Lebanon 3P\ dgn\CADD Sheets\087629-ehf-detailed guardrail.dgn	USER NAME = paul	DESIGNED - ESW	REVISED -	<b>STATE OF ILLINOIS</b> <b>DEPARTMENT OF TRANSPORTATION</b>	<b>GUARDRAIL DETAILS</b>		F.A.P. RTE. 314	SECTION 110, 111/RS-4	COUNTY MADISON & ST. CLAIR	TOTAL SHEETS 58	SHEET NO. 30	
	PLOT SCALE = 40,0000' / IN.	CHECKED - BRM	REVISED -				SCALE: 1"=20'		SHEET NO. 7 OF 18 SHEETS	STA. TO STA.	FED. ROAD DIST. NO. ILLINOIS FED. AID PROJECT	
	PLOT DATE = 2/7/2011	DATE - 11-10-10	REVISED -								CONTRACT NO. 76E29	