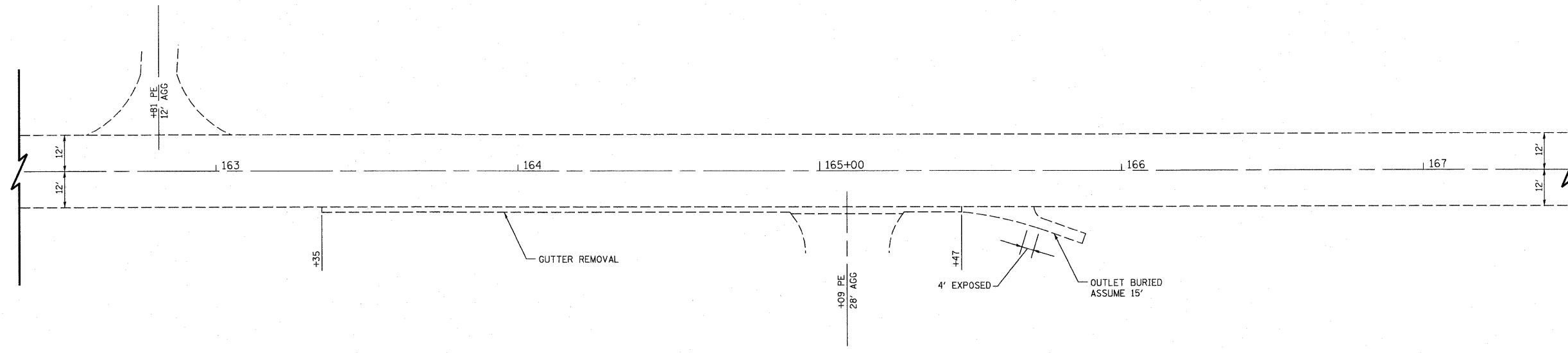
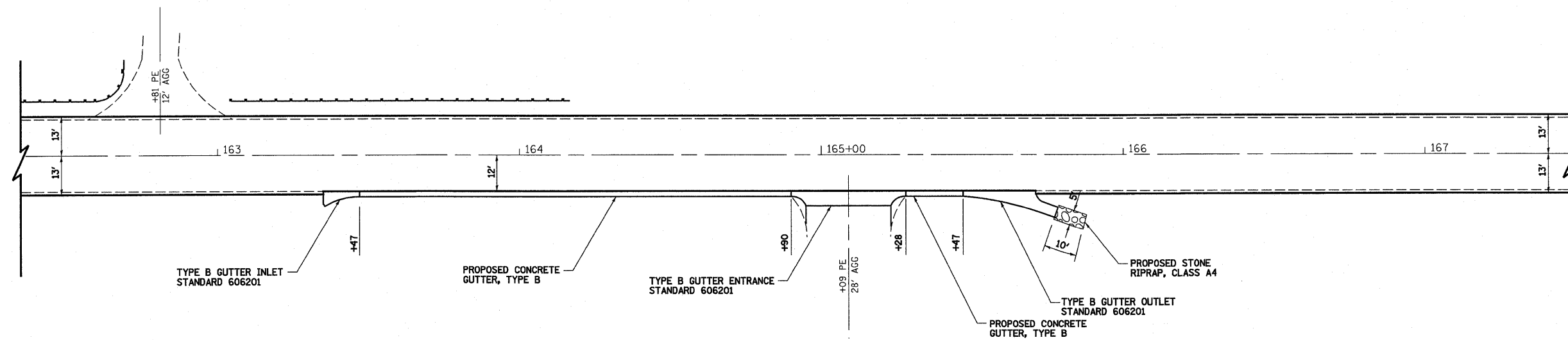


GUTTER LOCATION #1



EXISTING CONDITION



PROPOSED CONDITION

FILE NAME =	USER NAME = betaj	DESIGNED - ESW	REVISED - 3-22-11	STATE OF ILLINOIS DEPARTMENT OF TRANSPORTATION	GUTTER DETAILS			F.A.P. RTE. 314	SECTION (110, 111)RS-4	COUNTY MADISON & ST. CLAIR	TOTAL SHEETS 58	SHEET NO. 42
S:\Projects\409-0028-SHY IL 4 Lebanon 3P\dgn\CA00 Sh	eta\081625-sh1-deta\gutter.dgn	DRAWN - WJS	REVISED -		SCALE: 1"=20'	SHEET NO. 1 OF 9 SHEETS	STA.	TO STA.	CONTRACT NO. 76E29			
	PLOT SCALE = 40,0000 ' / IN.	CHECKED - BRM	REVISED -		FED. ROAD DIST. NO. ILLINOIS FED. AID PROJECT							
	PLOT DATE = 3/24/2011	DATE - 11-11-10	REVISED -									