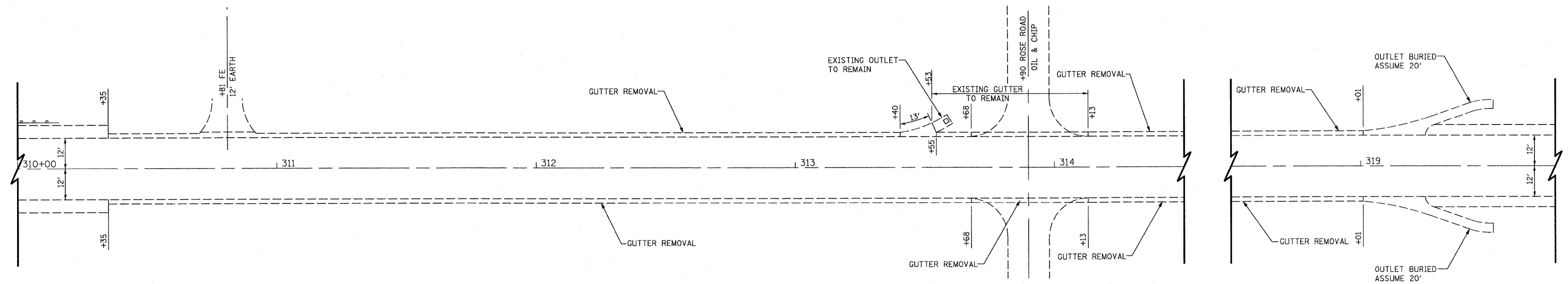
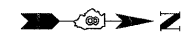
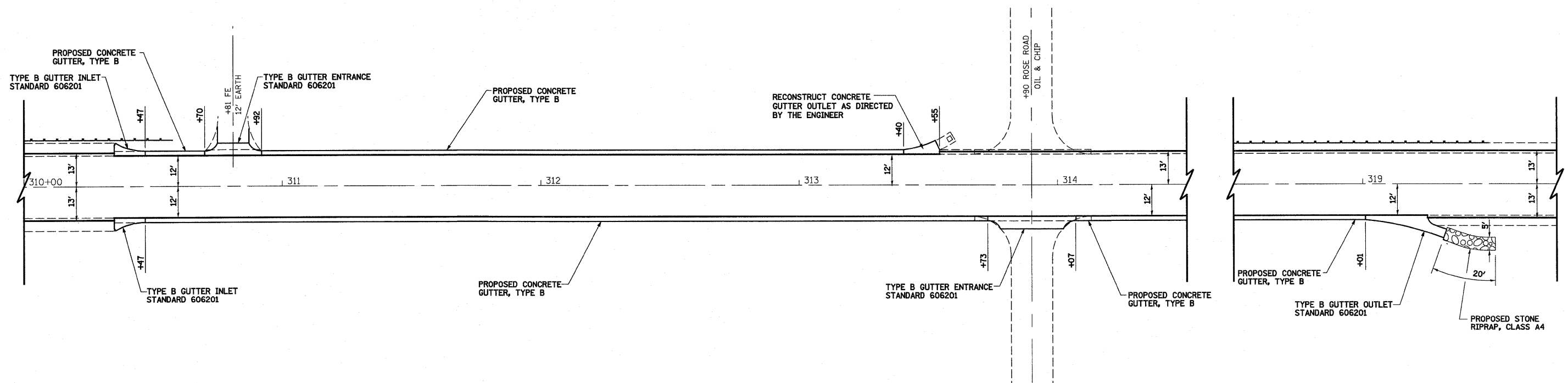


GUTTER LOCATION #8



EXISTING CONDITION



PROPOSED CONDITION

FILE NAME = S:\Projects\409-0028-SHT 8, 4 Lebron 3P\gpr\CA00 Sh...	USER NAME = betaj	DESIGNED - ESW	REVISED - 3-22-11	STATE OF ILLINOIS DEPARTMENT OF TRANSPORTATION	GUTTER DETAILS		F.A.P. RTE. 314	SECTION (110, 111)RS-4	COUNTY MADISON & ST CLAIR	TOTAL SHEETS 58	SHEET NO. 50
	PLOT SCALE = 40,00000 ' / IN.	DRAWN - WJS	CHECKED - BRM				DATE - 11-11-10	SCALE: 1"=20'	SHEET NO. 9 OF 9 SHEETS	STA. TO STA.	CONTRACT NO. 76E29 FED. ROAD DIST. NO. ILLINOIS FED. AID PROJECT