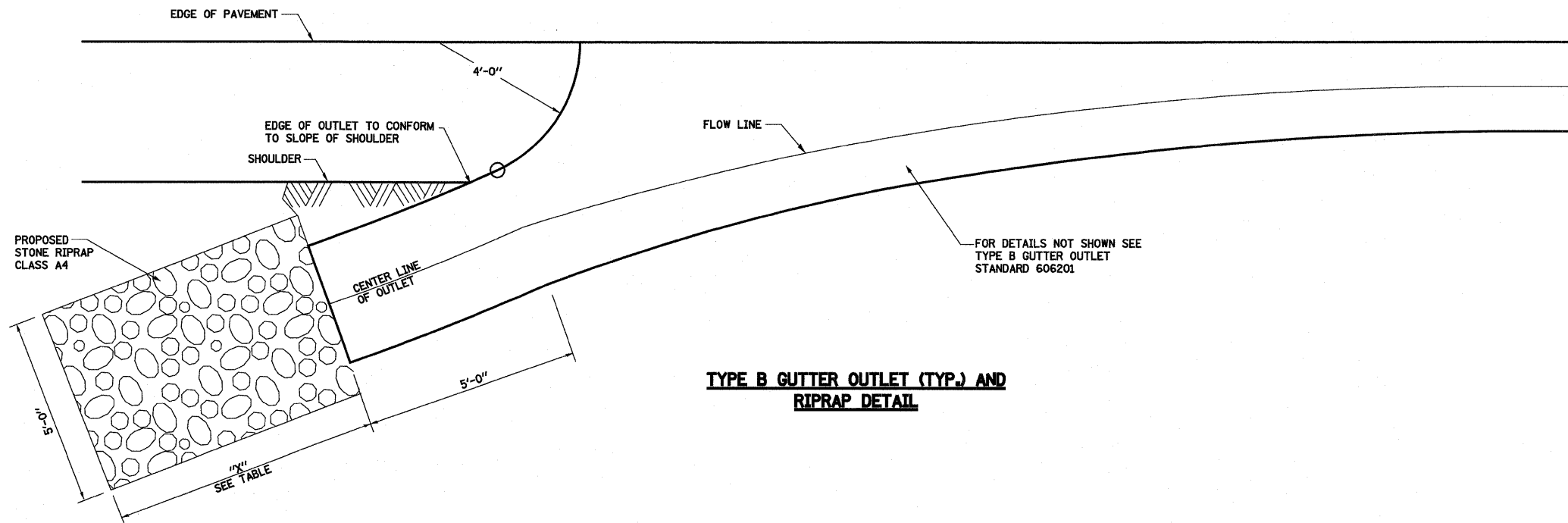
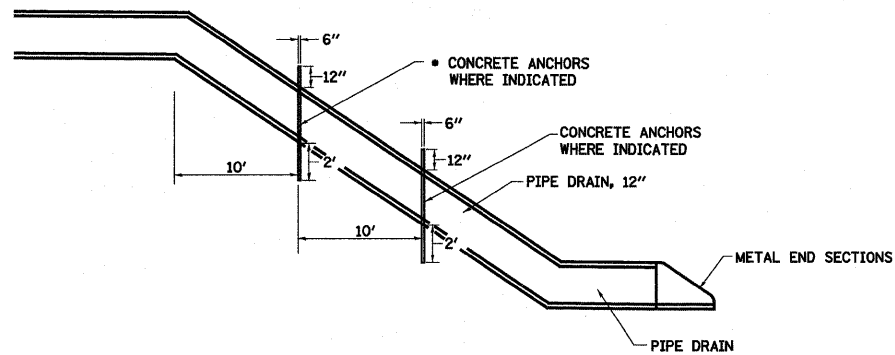


STATION	SIDE	LENGTH "X" (FT)
165+47	RT	10
214+94	LT	30
214+99	RT	31
228+94	LT	10
242+86	LT	12
242+86	RT	13
251+26	LT	10
254+16	LT	10
254+16	RT	10
281+39	RT	27
281+63	LT	21
301+92	RT	21
319+01	RT	20

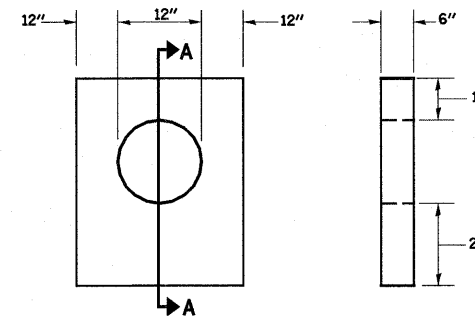


**TYPE B GUTTER OUTLET (TYP.) AND
RIPRAP DETAIL**



DRAIN DETAIL

• CONCRETE ANCHORS TO BE INCLUDED FOR
PIPE WITH SLOPES GREATER THAN 30%



CONCRETE ANCHOR

SECTION A-A