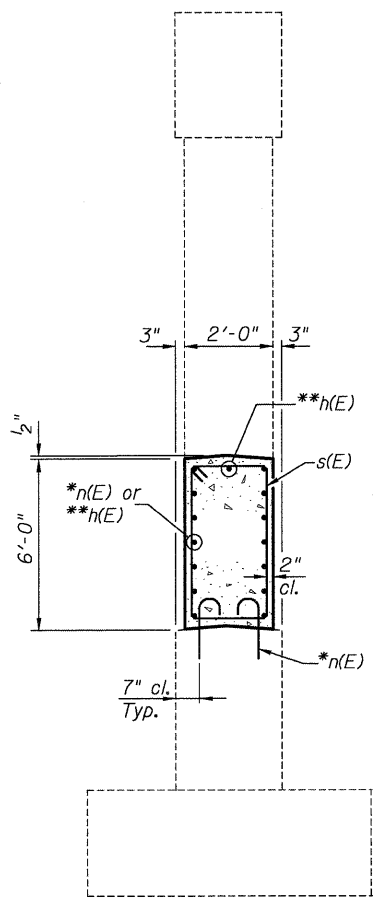
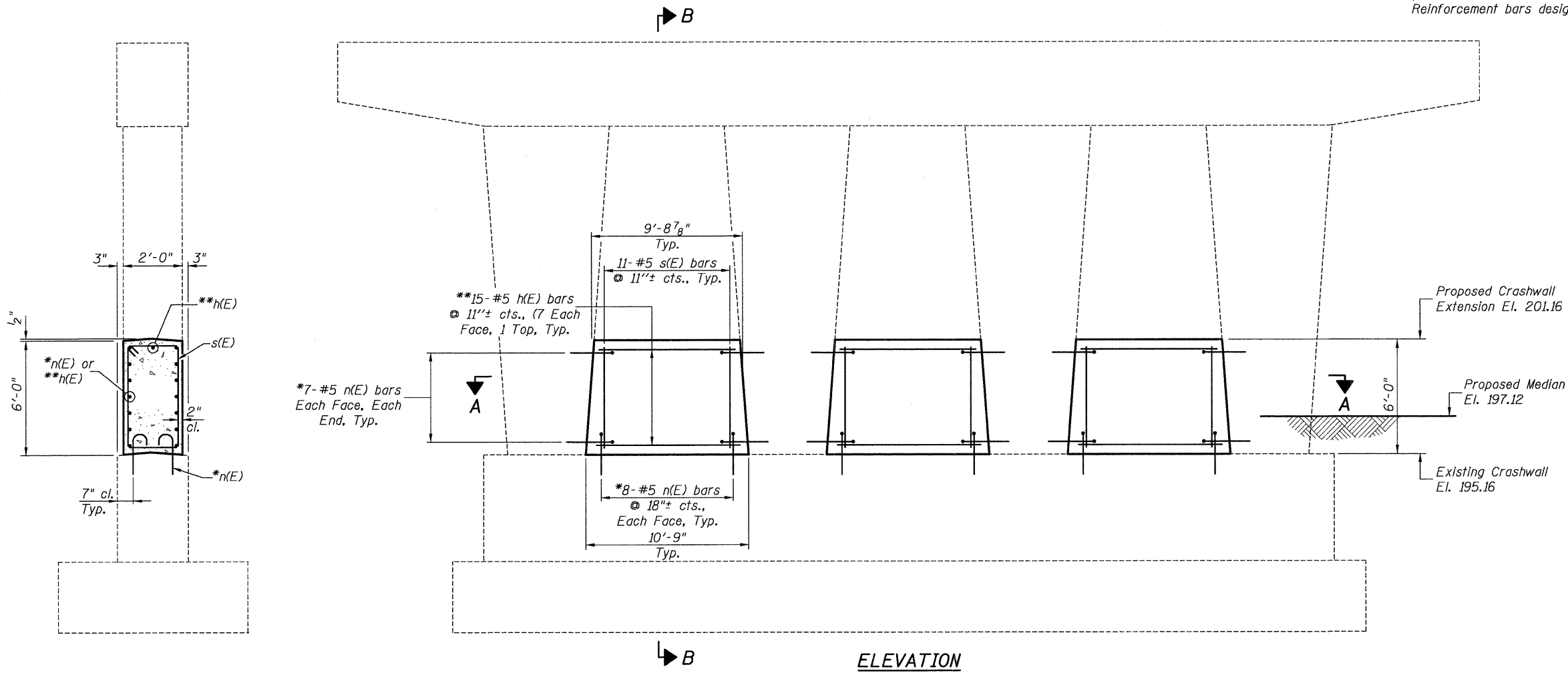
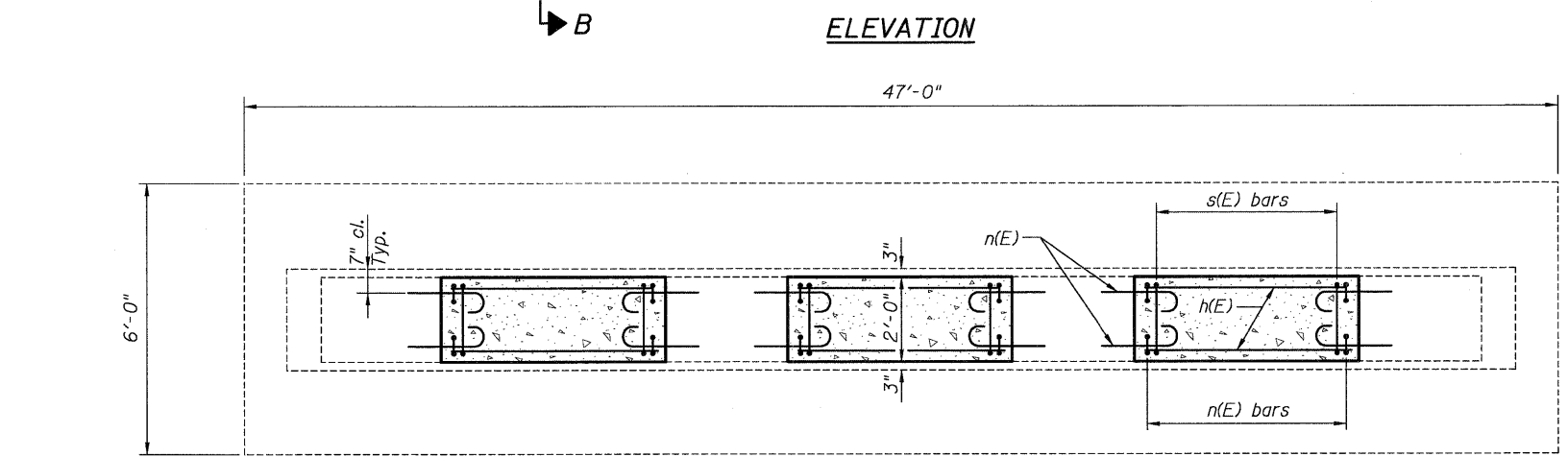


NOTES

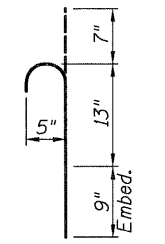
The cost of epoxy grouting bars shall be included with Reinforcement Bars, Epoxy Coated.
 Plan dimensions and details relative to existing plans are subject to nominal construction variations. The contractor shall field verify existing dimensions and details affecting new construction and make necessary approved adjustments prior to construction or ordering of materials. Such variations shall not be cause for additional compensation for a change in scope of the work, however, the Contractor will be paid for the quantity actually furnished at the unit price bid for the work.
 Reinforcement bars shall conform to the requirements of ASTM A 706, Gr. 60. See Special Provisions.
 Reinforcement bars designated (E) shall be epoxy coated.



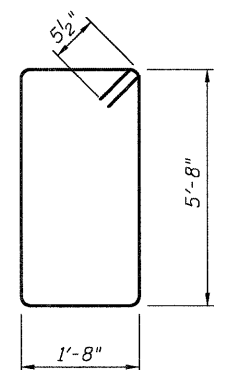
SECTION B-B



SECTION A-A



BAR n(E)



BAR s(E)

BILL OF MATERIAL

| Bar | No. | Size | Length | Shape |
|----------------------------------|-----|------|---------|-------|
| h(E) | 45 | #5 | 10'-3" | — |
| n(E) | 132 | #5 | 2'-5" | U |
| s(E) | 33 | #5 | 15'-7" | □ |
| Concrete Structures | | | Cu. Yd. | 13.7 |
| Reinforcement Bars, Epoxy Coated | | | Pound | 1,360 |

* Epoxy grout n(E) bars in 9" min. holes according to Article 584 of the Standard Specifications.

** Field cut h(E) bars to fit in field, as required.



Bradley G. Hummert Date: 2/4/11
 Licensed Structural Engineer
 in Illinois No. 081-005428 Expires: November 30, 2012

| | | | | | | | | | | |
|--|-------------------------|-------------------|-----------|---|--|---------------------------|--------------------|--------|--------------|-----------|
| FILE NAME = | USER NAME = .USERDESCR. | DESIGNED - K.M.M. | REVISED - | STATE OF ILLINOIS DEPARTMENT OF TRANSPORTATION | DETAILS OF CRASHWALL EXTENSION MEDIAN PIER S.N.061-0017 | F.A.I. RTE. | SECTION | COUNTY | TOTAL SHEETS | SHEET NO. |
| ht:\6513 idot d8 var\6513.01 wo 1\cadd\shets\0876E30-sht-details-pier-0610017-07.dgn | | CHECKED - L.D.G. | REVISED - | | | 57 | 61-(1,2,3,4,5,6)-I | MARION | 86 | 7 |
| PLOT SCALE = 1.000' / IN. | | DRAWN - K.H.L. | REVISED - | | | CONTRACT NO. 76E30 | | | | |
| PLOT DATE = 2/2/2011 | | CHECKED - B.G.H. | REVISED - | | | ILLINOIS FED. AID PROJECT | | | | |