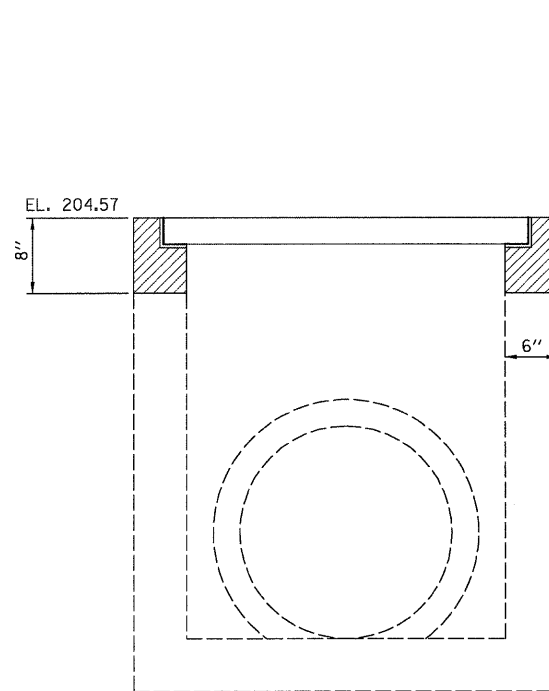


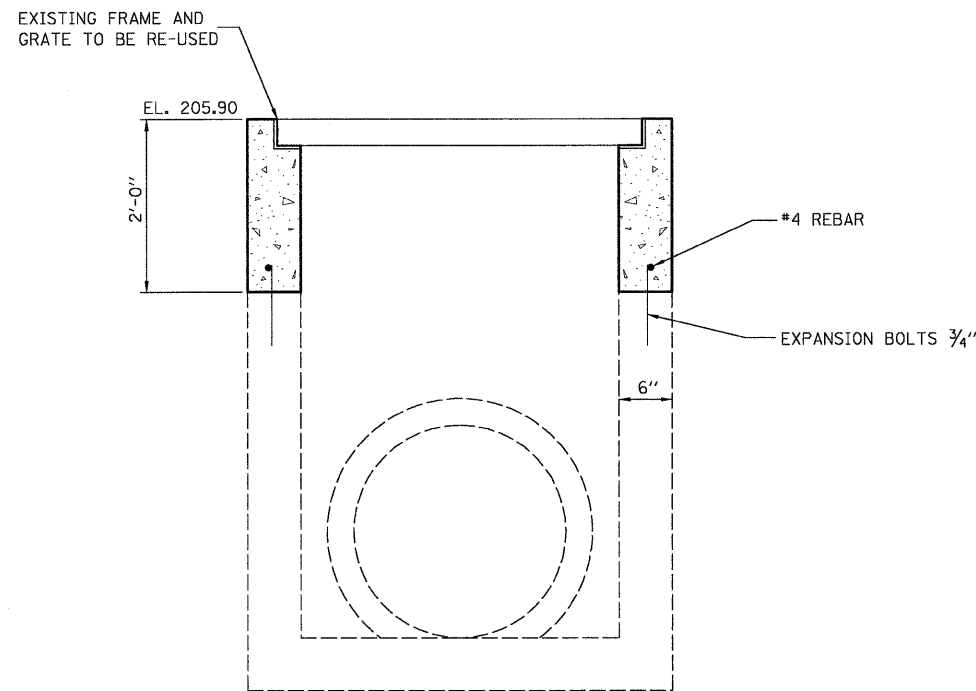
**PLAN**  
(GRATING OMITTED FOR CLARITY)

**NOTES**

1. EXPANSION BOLTS SHALL EXTEND A MINIMUM 9" INTO THE EXISTING AND PROPOSED CONCRETE.
2. ALL WORK AND MATERIALS SHALL BE IN ACCORDANCE WITH APPLICABLE PORTIONS OF SECTION 602.
3. THIS WORK WILL BE PAID FOR AT THE CONTRACT UNIT PRICE EACH FOR "INLET BOXES TO BE ADJUSTED (SPECIAL)" WHICH SHALL INCLUDE ALL LABOR, EQUIPMENT & MATERIAL NECESSARY TO COMPLETE THE WORK.
4. ESTIMATED QUANTITIES:  
CONCRETE REMOVAL 0.13 CU. YD.  
CLASS S.I. CONCRETE 0.48 CU. YD.  
REINFORCEMENT BARS 9.35 LBS.  
EXPANSION BOLTS 12 EACH



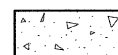
**EXISTING**



**PROPOSED**



CONCRETE REMOVAL



CLASS S.I. CONCRETE

FILE NAME =	USER NAME = .USERDESCR.	DESIGNED - K.M.M.	REVISED -	<b>STATE OF ILLINOIS DEPARTMENT OF TRANSPORTATION</b>	<b>INLET BOXES TO BE ADJUSTED (SPECIAL)</b>	F.A.I. RTE.	SECTION	COUNTY	TOTAL SHEETS	SHEET NO.	
h:\6513 1dot d8 var\6513.01 wo 1\cadd.sheets\0876E30-ahd-details-InletAdj-11.dgn	PLOT SCALE = 20.000' / IN.	CHECKED - L.D.G.	REVISED -			57	61-(1,2,3,4,5,6)-I	MARION	86	11	
	PLOT DATE = 2/2/2011	DRAWN - K.H.L.	REVISED -			CONTRACT NO. 76E30					
		CHECKED - B.G.H.	REVISED -			ILLINOIS FED. AID PROJECT					
HENRY MEISENHEIMER & COMPANY, INC. LAKE ROAD, P.O. BOX 70, CARLETON, ILL. 62626 (618) 594-3711 WWW.HMCENGINEERS.COM					SHEET NO. OF SHEETS						

HMC NO. 6513.01