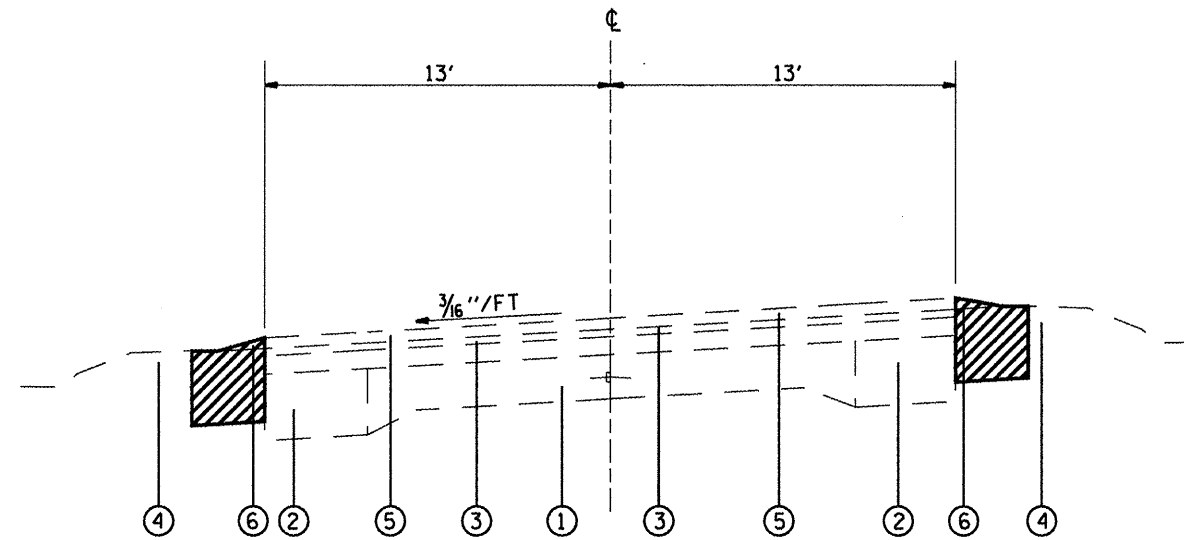


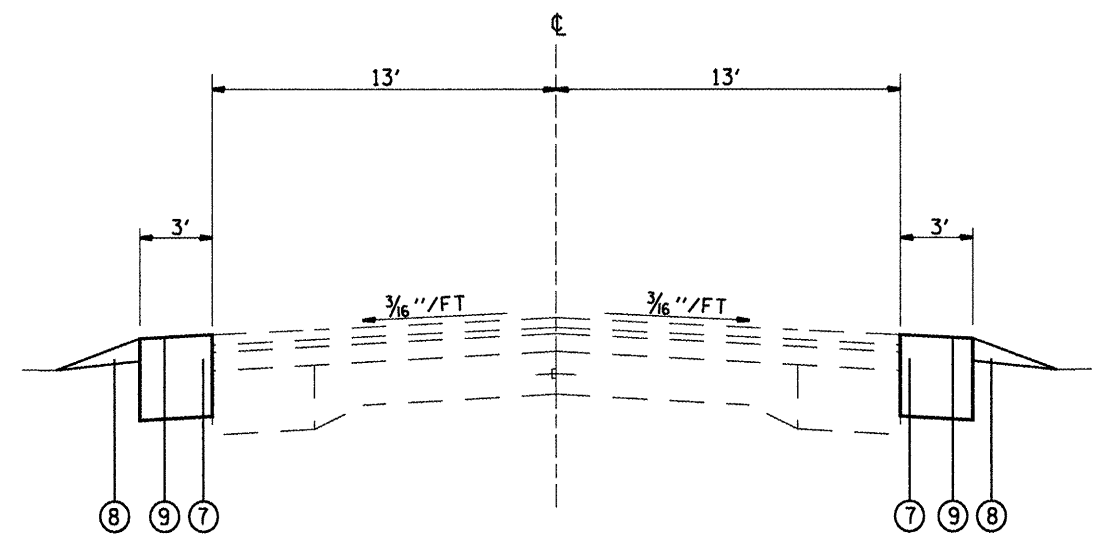
EXISTING TYPICAL SECTION

STA. 407+00 TO STA. 410+78.4
 STA. 420+28.8 TO STA. 435+60
 STA. 445+10.4 TO STA. 449+10



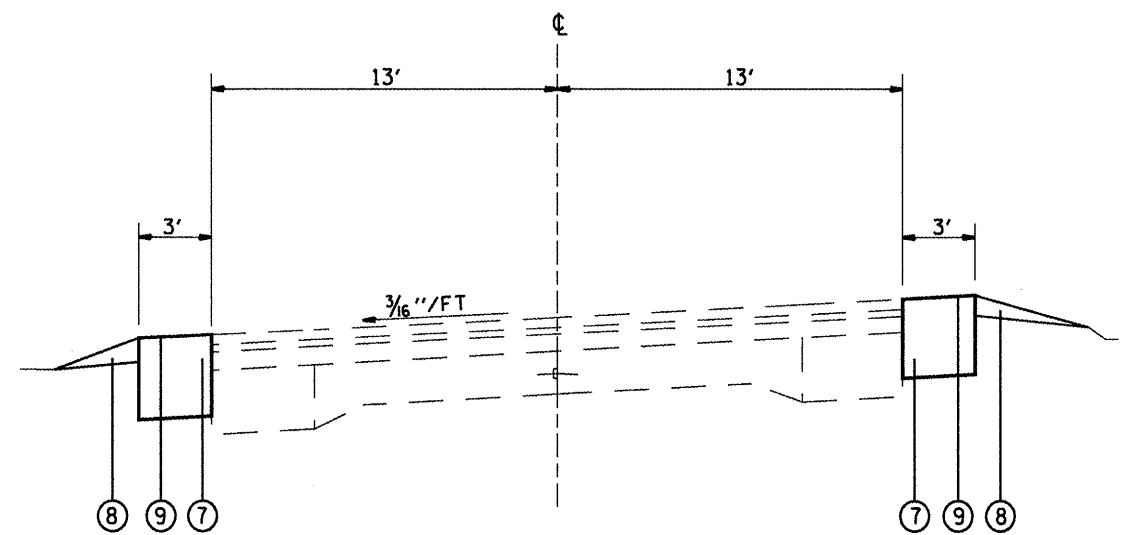
EXISTING SUPERELEVATED SECTION

STA. 410+78.4 TO STA. 420+28.8
 STA. 435+60 TO STA. 451+00



PROPOSED TYPICAL SECTION

STA. 407+00 TO STA. 410+78.4
 STA. 420+28.8 TO STA. 435+60
 STA. 445+10.4 TO STA. 449+10



PROPOSED SUPERELEVATED SECTION

STA. 410+78.4 TO STA. 420+28.8
 STA. 435+60 TO STA. 451+00



LEGEND

- ① EXISTING PCC PAVEMENT 9-6-9
- ② EXISTING BASE COURSE WIDENING 9"
- ③ EXISTING RESURFACING 3"
- ④ EXISTING EARTH SHOULDER
- ⑤ EXISTING BIT. CONC. SURF. COURSE, MIX "D", CL I, TYPE 2, 1 1/2"
- ⑥ EXISTING AGGREGATE SHOULDER, TYPE B
- ⑦ PROPOSED HMA SHOULDER 8"
- ⑧ PROPOSED EARTH SHOULDER
- ⑨ PROPOSED RUMBLE STRIP

FILE NAME =	USER NAME = #USER#	DESIGNED -	REVISED -
#FILE#		DRAWN -	REVISED -
	PLOT SCALE = #SCALE#	CHECKED -	REVISED -
	PLOT DATE = #DATE#	DATE -	REVISED -

STATE OF ILLINOIS
 DEPARTMENT OF TRANSPORTATION

TYPICAL SECTION	
SCALE: _____	SHEET NO. _____ OF _____ SHEETS
STA. _____ TO STA. _____	

F.A.R. RTE.	SECTION	COUNTY	TOTAL SHEETS	SHEET NO.
.793	.112-1		8	6
BOND			CONTRACT NO. 76E32	
FED. ROAD DIST. NO. ILLINOIS FED. AID PROJECT				