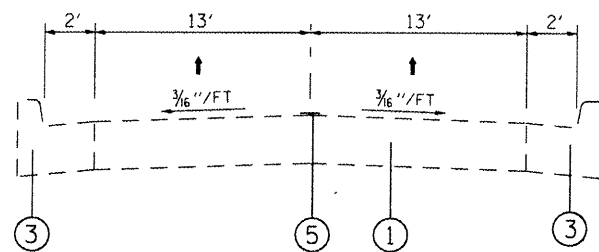
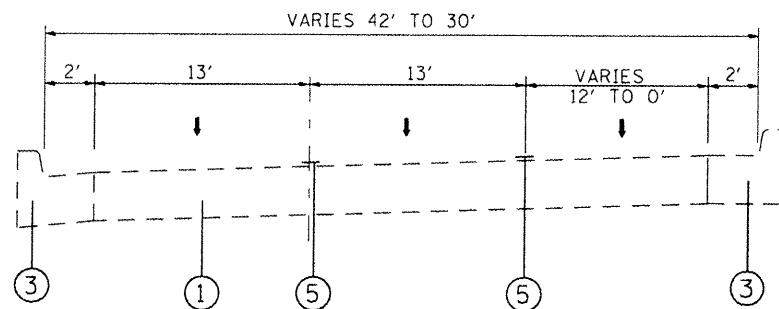


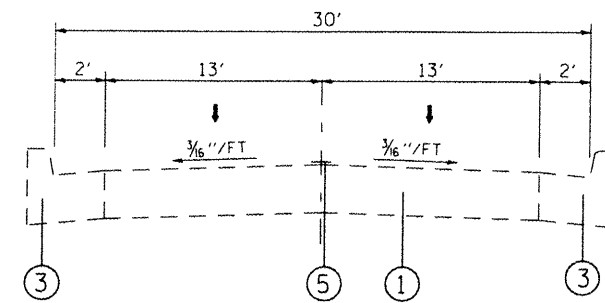
EXISTING
TYPICAL SECTION
(McCORD STREET)
STA. 925+08.13 TO STA. 928+45.00



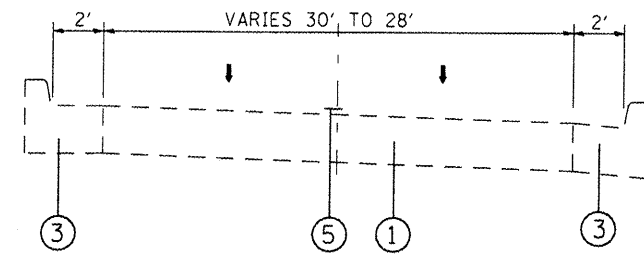
EXISTING
TYPICAL SECTION
(McCORD STREET)
STA. 928+45.00 TO STA. 312+25.19
(SEE STATION EQUATION)



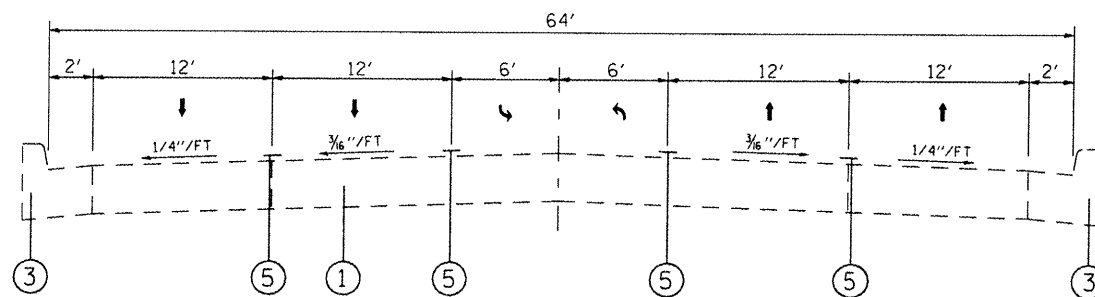
EXISTING
TYPICAL SECTION
(NOLEMAN STREET)
STA. 291+74.00 TO STA. 298+17.16



EXISTING
TYPICAL SECTION
(NOLEMAN STREET)
STA. 298+17.16 TO STA. 307+98.00



EXISTING
TYPICAL SECTION
(NOLEMAN STREET)
STA. 307+98.00 TO STA. 312+25.19



EXISTING
TYPICAL SECTION
(IL 161)
STA. 312+25.19 TO STA. 320+96.11

LEGEND

- ① EXISTING PCC PAVEMENT 10"
- ② EXISTING PCC WIDENING, 10"
- ③ EXISTING CONC. CURB & GUTTER
- ④ EXISTING MEDIAN SURFACE, 4"
- ⑤ EXISTING PAVEMENT MARKING

STATION EQUATION

STA. 937+20.78 BK = STA. 937+21.48 AHD.
STA. 54+71.00 BK = STA. 291+74.00 AHD.
STA. 948+03.17 BK = STA. 311+55.71 AHD.

FILE NAME :	USER NAME : *USER*	DESIGNED - ---	REVISED - ---
*FILE#		DRAWN - ---	REVISED - ---
	PLOT SCALE = *SCALE#	CHECKED - ---	REVISED - ---
	PLOT DATE = *DATE#	DATE - ---	REVISED - ---

STATE OF ILLINOIS
DEPARTMENT OF TRANSPORTATION

EXISTING TYPICAL SECTIONS
(PATCHING SECTION)

SCALE: _____ SHEET NO. ____ OF ____ SHEETS STA. _____ TO STA. _____

F.A.P. RTE.	SECTION	COUNTY	TOTAL SHEETS	SHEET NO.
805	(72-2, BZ-21RS-1)	*	21	9
FED. ROAD DIST. NO. - ILLINOIS FED. AID PROJECT				CONTRACT NO. 76E51
*CLINTON/MARION				