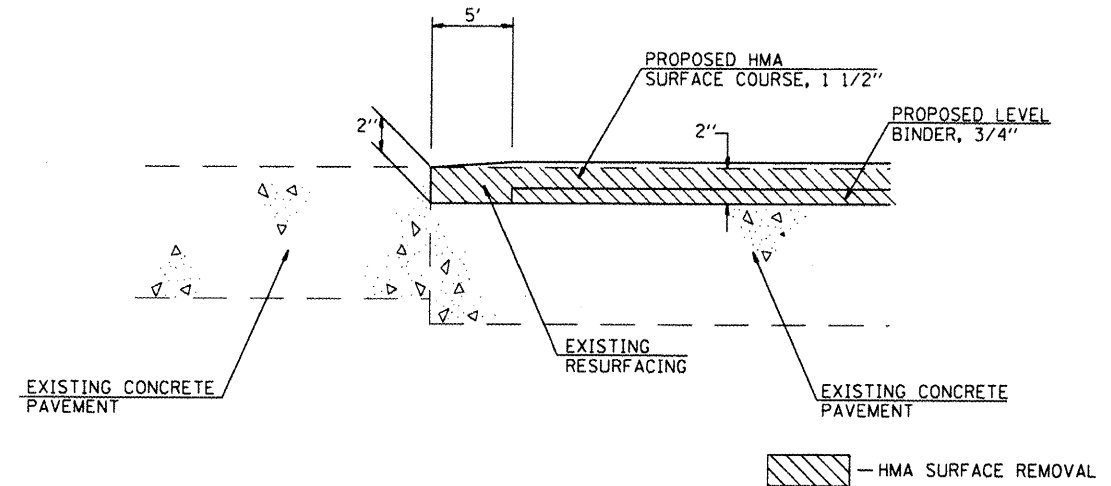


**RESURFACING DETAIL
(MC CORD ST.)**

- STA. 884+15.00
- STA. 885+70.00
- STA. 903+20.00
- STA. 905+48.05
- STA. 911+52.98
- STA. 925+08.13



**RESURFACING DETAIL
(NOLEMAN ST.)**

- STA. 6+42.00
- STA. 54+71.00
- STA. 96+06.74 (LINCOLN BLVD.)
- STA. 94+33.80 (LINCOLN BLVD.)

FILE NAME *	USER NAME * #USER#	DESIGNED -	REVISED -
#FILE#		DRAWN -	REVISED -
	PLOT SCALE * #SCALE#	CHECKED -	REVISED -
	PLOT DATE * #DATE#	DATE -	REVISED -

STATE OF ILLINOIS
DEPARTMENT OF TRANSPORTATION

DETAILS

SCALE: _____ SHEET NO. ___ OF ___ SHEETS STA. _____ TO STA. _____

F.A.P. RTE.	SECTION	COUNTY	TOTAL SHEETS	SHEET NO.
805	(7Z-2, 8Z-2)RS-1	*	21	21
CONTRACT NO. 76E51				

FED. ROAD DIST. NO. _____ ILLINOIS FED. AID PROJECT
*CLINTON/MARION