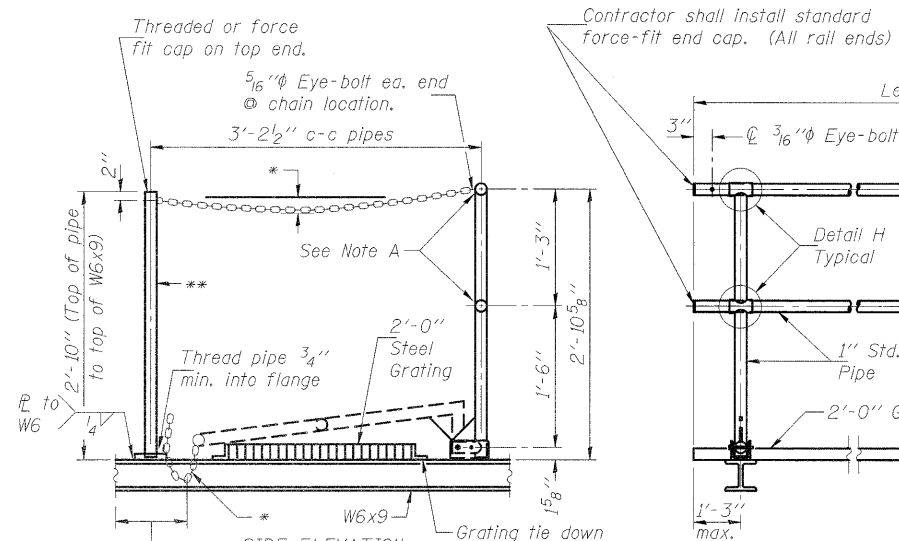


STATE OF ILLINOIS
DEPARTMENT OF TRANSPORTATION

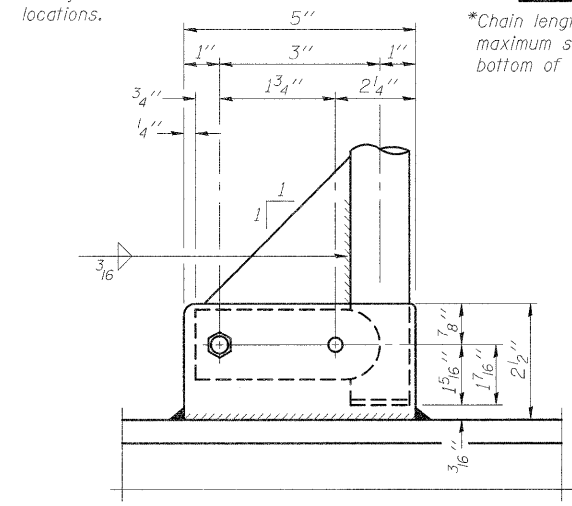
ROUTE NO.	SECTION	COUNTY	TOTAL SHEETS	SHEET NO.
FAP 310	60-15SG	MADISON	54	35
FED. ROAD DIST. NO. 7	ILLINOIS	FED. AID PROJECT-		

SHEET NO. 5
6 SHEETS

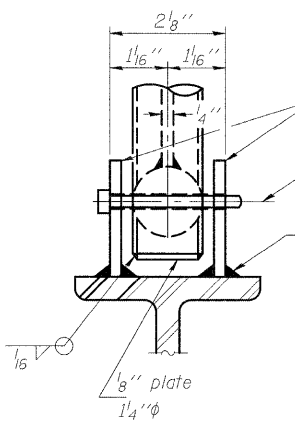


TYPICAL HANDRAIL DETAIL

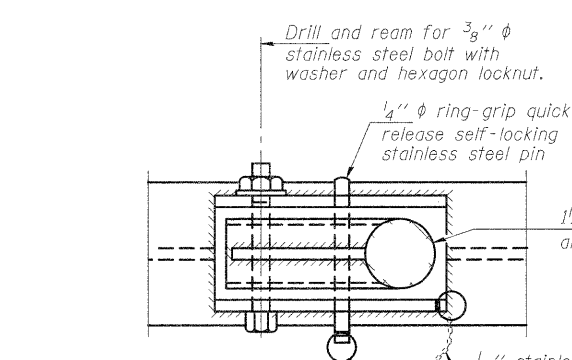
*Chain length shall allow erection of handrail with maximum sag of 3" and shall not extend below bottom of W6x9 with railing lowered.



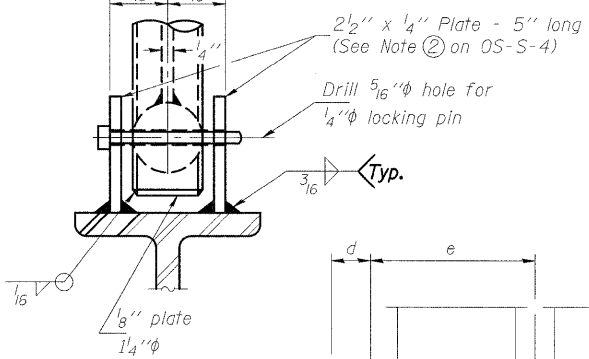
SIDE ELEVATION



FRONT ELEVATION



**PLAN
DETAIL HANDRAIL HINGE**

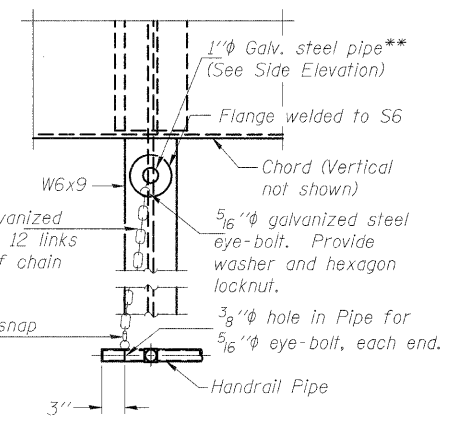


FRONT ELEVATION

**1" φ Std. galvanized steel pipe at brackets nearest ends of walkway to hold safety chain. Bottom end threaded 3/4" minimum into flange. Cap or weld plate on top of pipe.

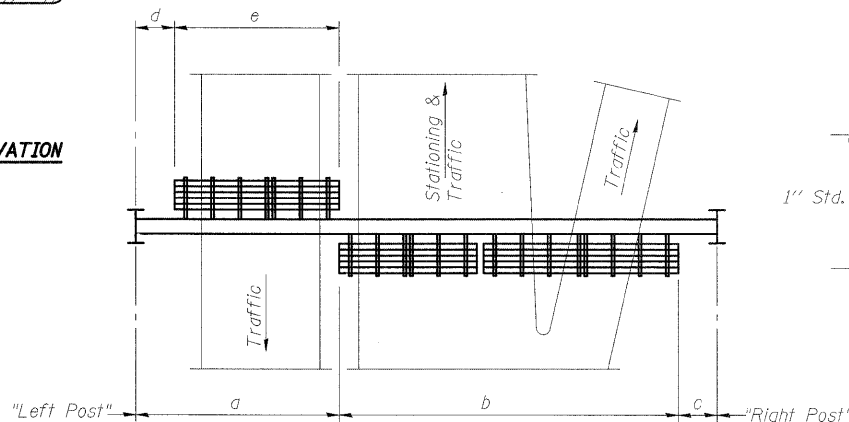
3/16" link steel chain, hot-dip galvanized after manufacture, approximately 12 links per foot. Approximately 3 ft. of chain required for each.*

Bronze swivel eye snap at handrail end



SAFETY CHAIN

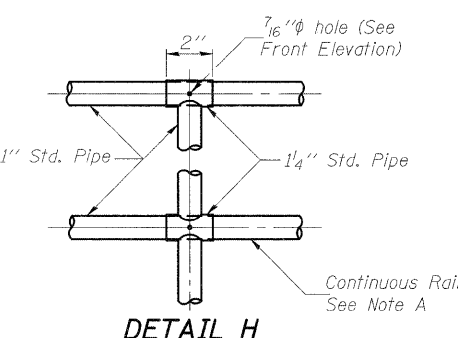
One (1) required for each end of each walkway.



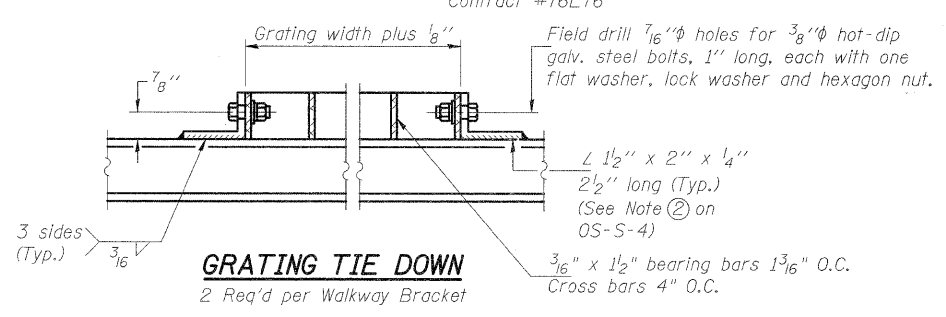
**PLAN
WALKWAY AND HANDRAIL SKETCH**

(Road plan shown beneath truss varies.)

Sign Structure Number	Station	a	b	c	d	e	Grating and Handrail Lengths
8S060S255R017.2	36+000	12.5'	28'	12.5'	X	X	28'
8S060S255R018.6	38+225	12.5'	28'	12.5'	X	X	28'
8S060S255R019.3	39+450	12.5'	40'	12.5'	X	X	40'
8S060S255L020.0	40+450	X	X	10.5'	12.5'	42'	42'

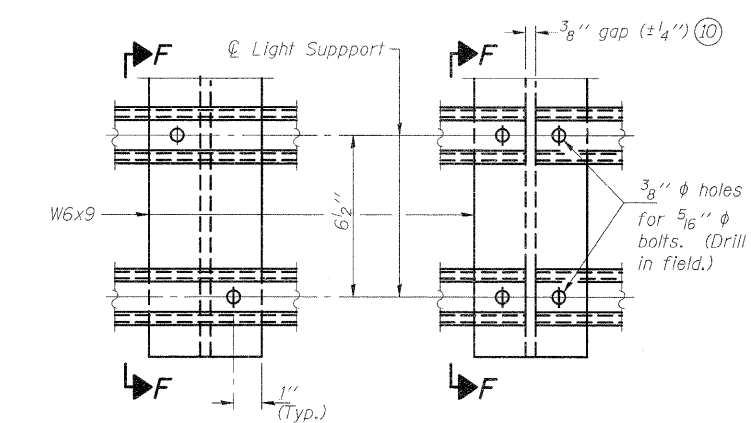


DETAIL H



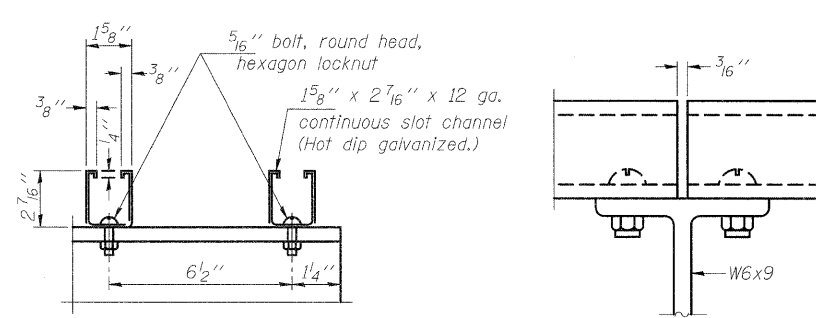
GRATING TIE DOWN

2 Req'd per Walkway Bracket



DETAIL F

DETAIL G



SECTION F-F

SECTION G-G

LIGHTING FIXTURE MOUNTS (IF REQUIRED)

Field cut ends of light support channels shall be free of burrs or hazardous projections and coated with zinc-rich primer or equivalent.

All bolts, nuts and washers shall conform to ASTM A307, hot-dip galvanized per AASHTO M232.

**OVERHEAD SIGN STRUCTURES
STEEL WALKWAY DETAILS**

FAP ROUTE 310 (IL 255)
SECTION 60-15SG
MADISON COUNTY

DESIGNED -	200
CHECKED -	EXAMINED
DRAWN -	PASSED
CHECKED -	ENGINEER OF BRIDGE DESIGN
	ENGINEER OF BRIDGES AND STRUCTURES