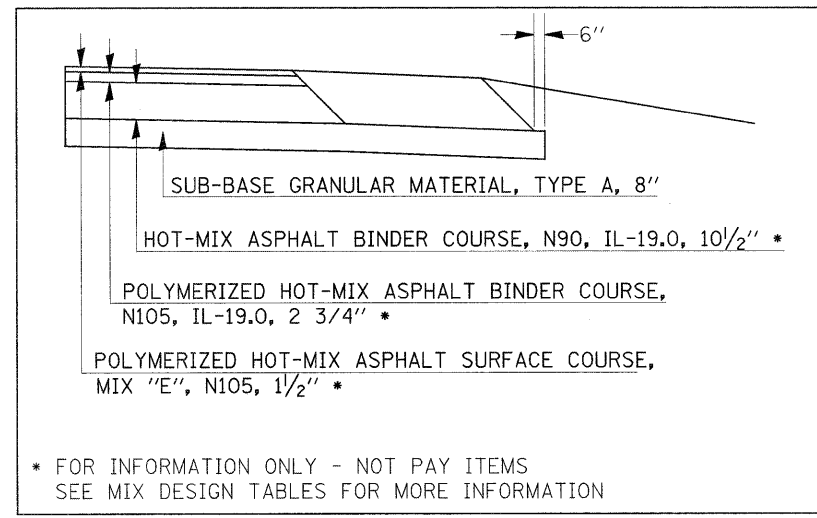
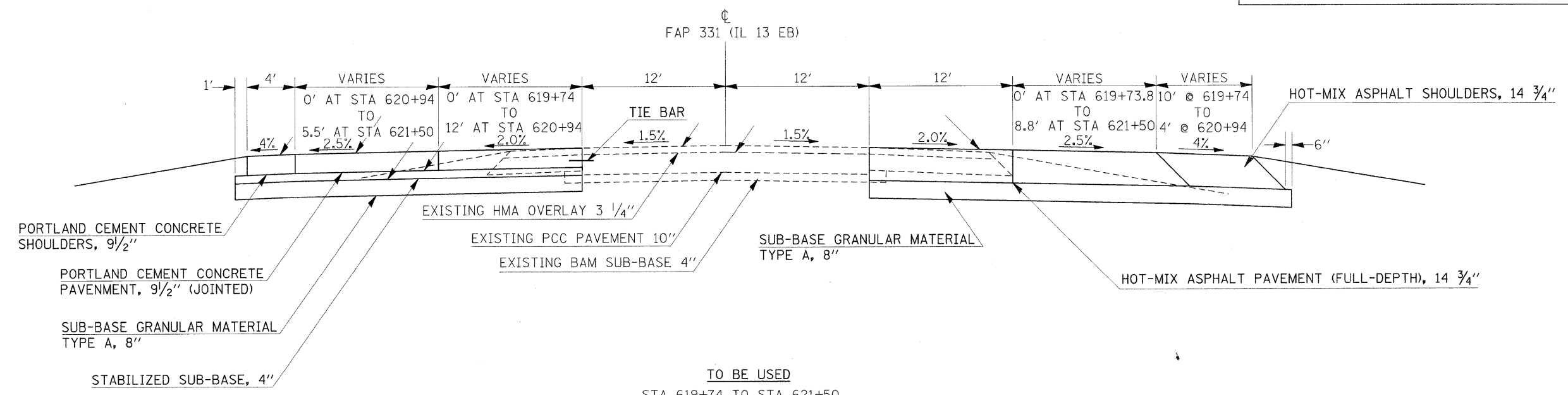


TO BE USED  
STA 587+78 TO STA 619+73.44

PAVING DETAIL  
FULL - DEPTH PAVEMENT



\* FOR INFORMATION ONLY - NOT PAY ITEMS  
SEE MIX DESIGN TABLES FOR MORE INFORMATION



TO BE USED  
STA 619+74 TO STA 621+50

REVISIED SHEET 4/14/11

FILE NAME =	USER NAME = russellcf	DESIGNED -	REVISED -	<b>STATE OF ILLINOIS DEPARTMENT OF TRANSPORTATION</b>	<b>TYPICAL SECTIONS IL 13 EASTBOUND</b>			F.A.P. RTE.	SECTION	COUNTY	TOTAL SHEETS	SHEET NO.
c:\pwork\pwork\dot\russellcf\d0135592\78133-sh1-typ.dgn	DRAWN -	REVISED -	331					(I-3,I-2)N-1,TS-1	WILLIAMSON	251	8	
PLOT SCALE = 4.5000' / IN.	CHECKED -	REVISED -	CONTRACT NO. 78133									
PLOT DATE = 4/12/2011	DATE -	REVISED -	ILLINOIS FED. AID PROJECT									
					SCALE:	SHEET NO.	OF SHEETS	STA.	TO STA.			