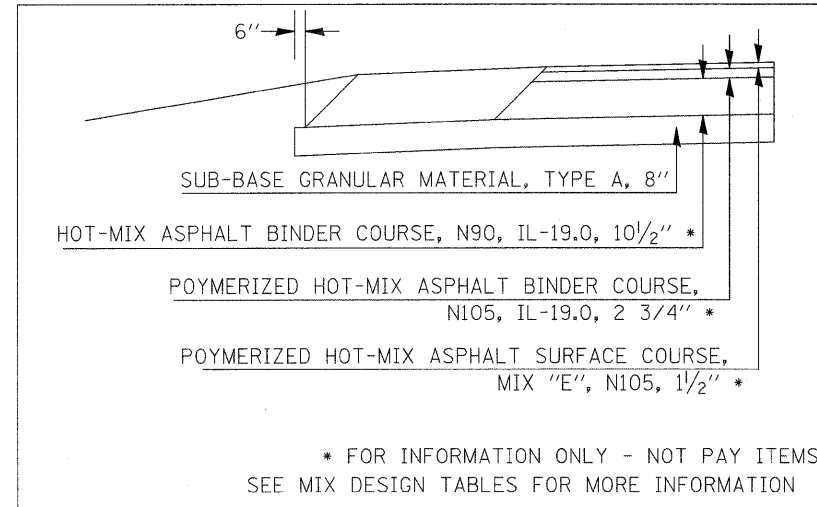
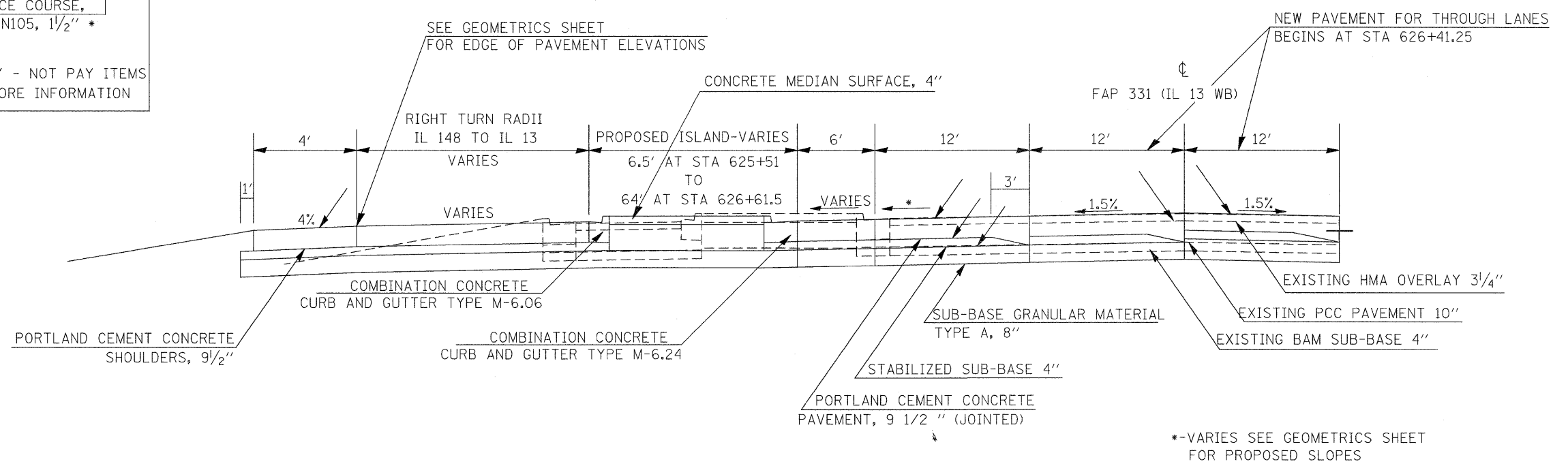


PAVING DETAIL  
FULL - DEPTH PAVEMENT



\* FOR INFORMATION ONLY - NOT PAY ITEMS  
SEE MIX DESIGN TABLES FOR MORE INFORMATION

TO BE USED  
STA 619+62 TO STA 625+51



--VARIES SEE GEOMETRICS SHEET  
FOR PROPOSED SLOPES

TO BE USED  
STA 625+51 TO STA 626+61.5

REVISIED SHEET 4/14/11

FILE NAME =	USER NAME = russellcf	DESIGNED -	REVISED -	<b>STATE OF ILLINOIS DEPARTMENT OF TRANSPORTATION</b>	<b>TYPICAL SECTIONS IL 13 WESTBOUND</b>				F.A.P. RTE.	SECTION	COUNTY	TOTAL SHEETS	SHEET NO.
cr:\pwork\pwidot\russellcf\d0135592\78133-sht-tyo.dgn		DRAWN -	REVISED -		331	(I-3,I-2)N-1,TS-1	WILLIAMSON	251	14				
PLOT SCALE = 4,5000' / IN.		CHECKED -	REVISED -		CONTRACT NO. 78133								
PLOT DATE = 4/12/2011		DATE -	REVISED -		ILLINOIS FED. AID PROJECT								
					SCALE:	SHEET NO.	OF	SHEETS	STA.	TO STA.			