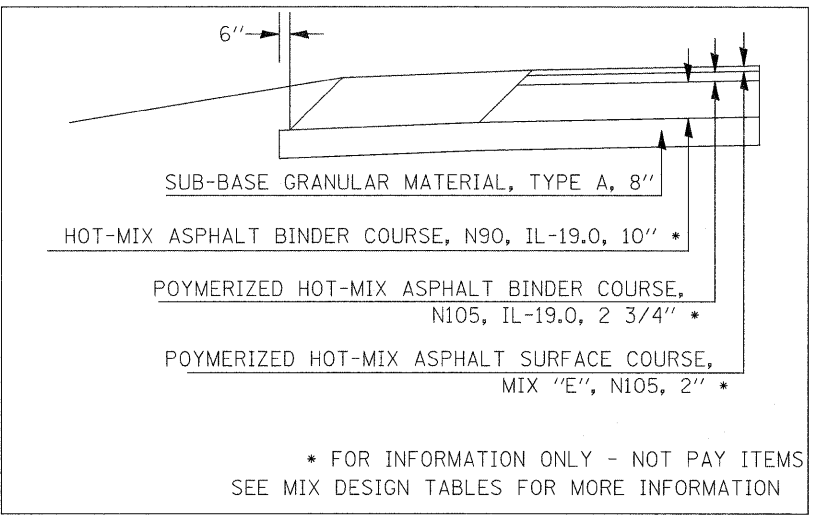
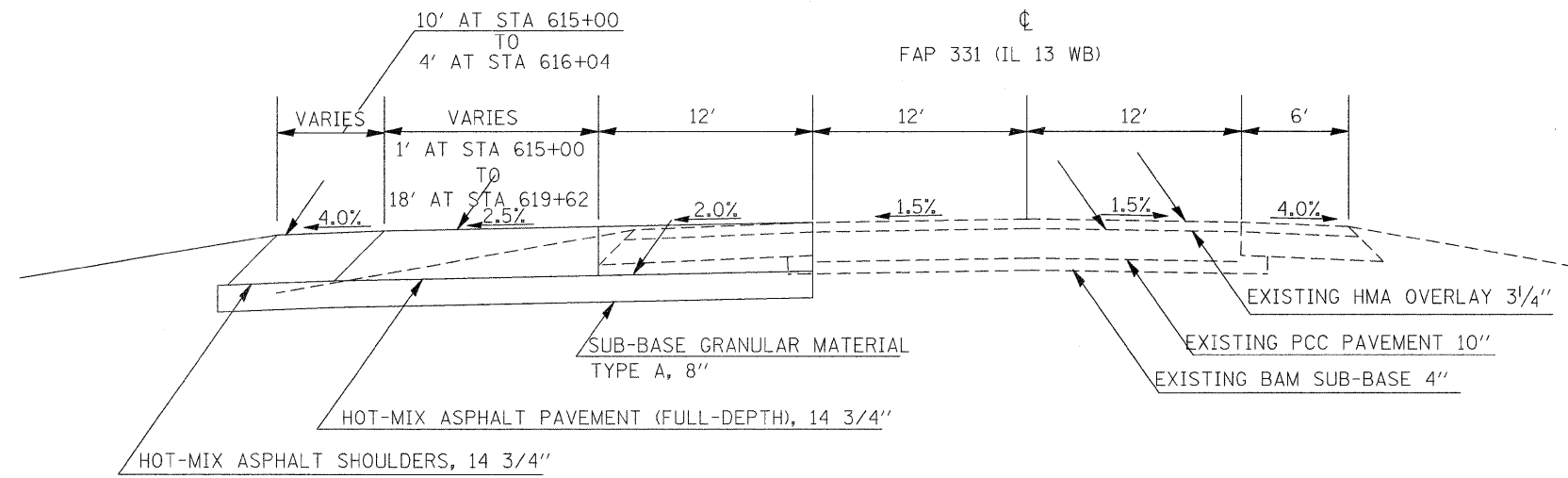


TO BE USED  
STA 592+90 TO STA 615+00

PAVING DETAIL  
FULL - DEPTH PAVEMENT



\* FOR INFORMATION ONLY - NOT PAY ITEMS  
SEE MIX DESIGN TABLES FOR MORE INFORMATION



TO BE USED  
STA 615+00 TO STA 619+62

FILE NAME =	USER NAME = knightm	DESIGNED -	REVISED -	<b>STATE OF ILLINOIS DEPARTMENT OF TRANSPORTATION</b>	<b>TYPICAL SECTIONS IL 13 WESTBOUND</b>			F.A.P. RTE.	SECTION	COUNTY	TOTAL SHEETS	SHEET NO.
c:\pwork\pwork\knightsm\0135592\78133-ahp-typ.dgn		DRAWN -	REVISED -					331	(I-3,I-2)N-1,TS-1	WILLIAMSON	251	13
PLOT SCALE = 4,5000 ' / IN.		CHECKED -	REVISED -		SCALE: SHEET NO. OF SHEETS STA. TO STA.			CONTRACT NO. 78133				
PLOT DATE = 1/3/2011		DATE -	REVISED -		(ILLINOIS) FED. AID PROJECT							