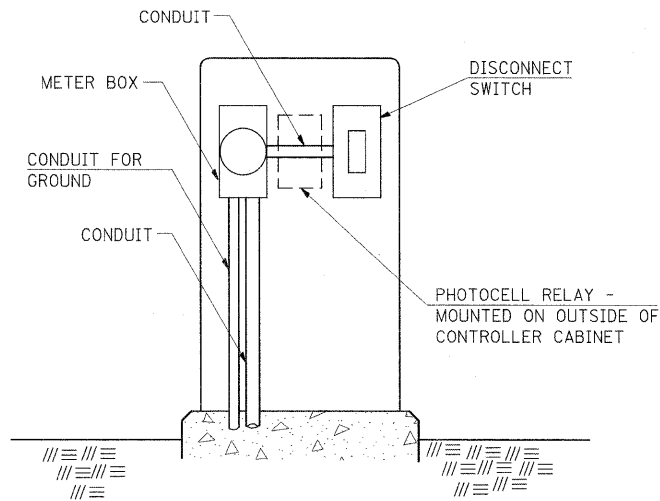
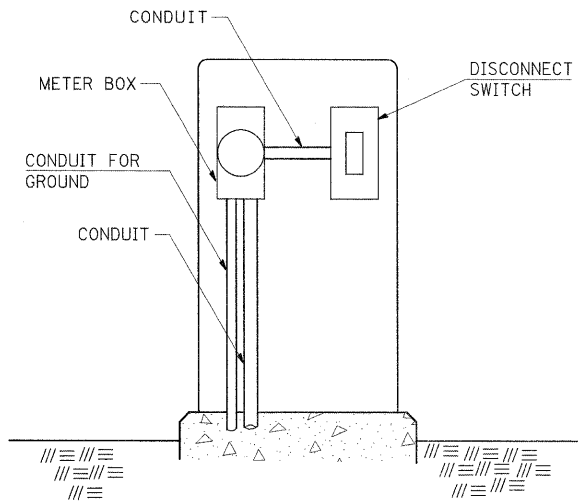


SERVICE INSTALLATION DETAILS



SERVICE INSTALLATION (SPECIAL)
WITH PHOTOCELL RELAY



SERVICE INSTALLATION (SPECIAL)

NOTE:
MATERIAL AND SIZE OF CONDUIT
AND CABLE AS REQUIRED BY
UTILITY COMPANY

REVISIONS	
DRAWN	1-31-90
REVISED	2-24-92
RESIZED	5-7-08

STD. 9-68

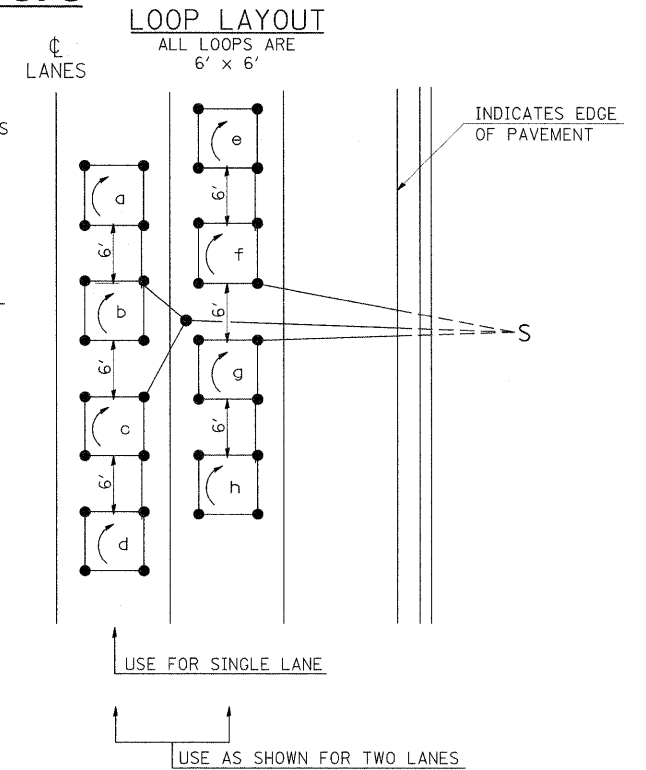
DETAIL OF DETECTOR LOOPS

NOTES

- (APPLIES TO 6' x 6' LOOPS ONLY)
- THE DETECTOR LOOPS SHALL BE TYPE I. EACH DETECTOR LOOP SHALL HAVE 3 TURNS OF LOOP WIRE AND BE INSTALLED IN ACCORDANCE WITH THE APPLICABLE PORTIONS OF SECTION 886 OF THE STANDARD SPECIFICATIONS FOR TRAFFIC CONTROL ITEMS.
 - BEGINNING LEAD WIRES SHALL BE CONNECTED TO THE BLACK LEAD AND THE ENDING LEAD WIRES SHALL BE CONNECTED TO THE WHITE LEAD OF THE TWIN TWISTED FEED CABLES AT THE SPLICE POINT.
 - WHERE THE LOOPS ARE INSTALLED PRIOR TO RESURFACING, THE LOOP CORNERS SHALL BE DIAGONALLY CUT.

LOOP LEGEND

- CLOCKWISE ROTATION FOR LOOP WIRES
- INDICATES SPLICE POINT FOR DETECTOR LOOP LEAD
- INDICATES 2" CORE-DRILL



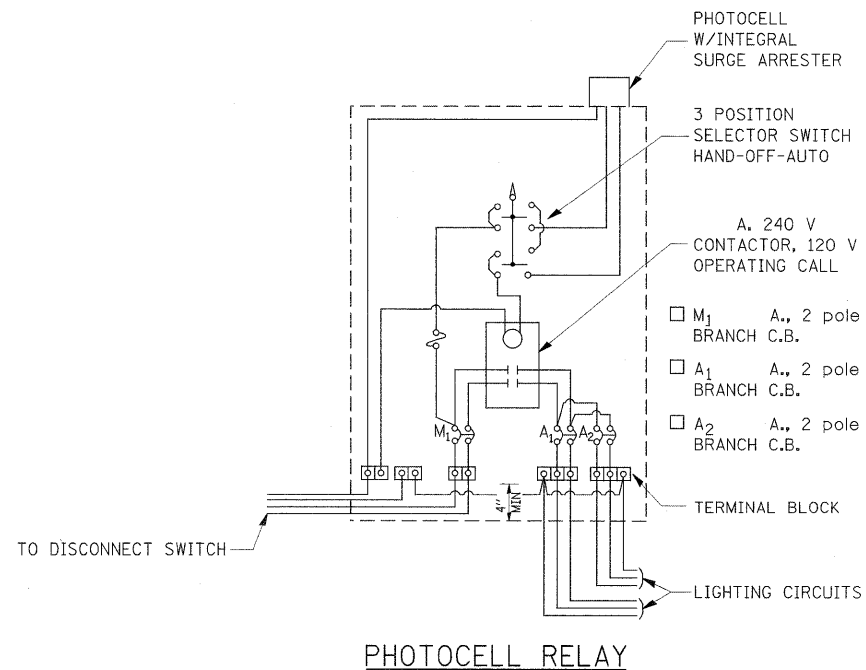
DETAIL 6' x 6' DETECTOR LOOPS

REVISIONS	
REDRAWN	5-13-02
REVISED	10-27-05
REVISED	3-26-08
REVISED	

STD. 9-92

OUTDOOR LIGHTING CONTROL CABINET

(GROUND MOUNT CABINET ONLY)



REVISIONS	
DRAWN	5-18-90
REVISED	5-13-02
REVISED	3-26-08
REVISED	

STD. 9-76

FILE NAME =	USER NAME = knightsm	DESIGNED -	REVISED -
c:\pw\work\pw\dot\knightsm\al0135592\78133-shr-tyou.dgn		DRAWN -	REVISED -
PLOT SCALE = 50.0000' / IN.		CHECKED -	REVISED -
PLOT DATE = 1/3/2011		DATE -	REVISED -

STATE OF ILLINOIS
DEPARTMENT OF TRANSPORTATION

DETAIL: SERVICE INSTALLATION; DETECTOR LOOPS
OUTDOOR LIGHTING CONTROL CABINET

SCALE: SHEET NO. OF SHEETS STA. TO STA.

F.A.P. RTE.	SECTION	COUNTY	TOTAL SHEETS	SHEET NO.
331	(I-3,I-2)N-1,TS-1	WILLIAMSON	251	110
CONTRACT NO. 78133				
ILLINOIS FED. AID PROJECT				