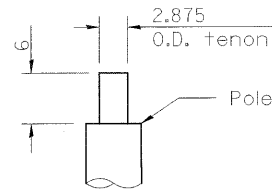
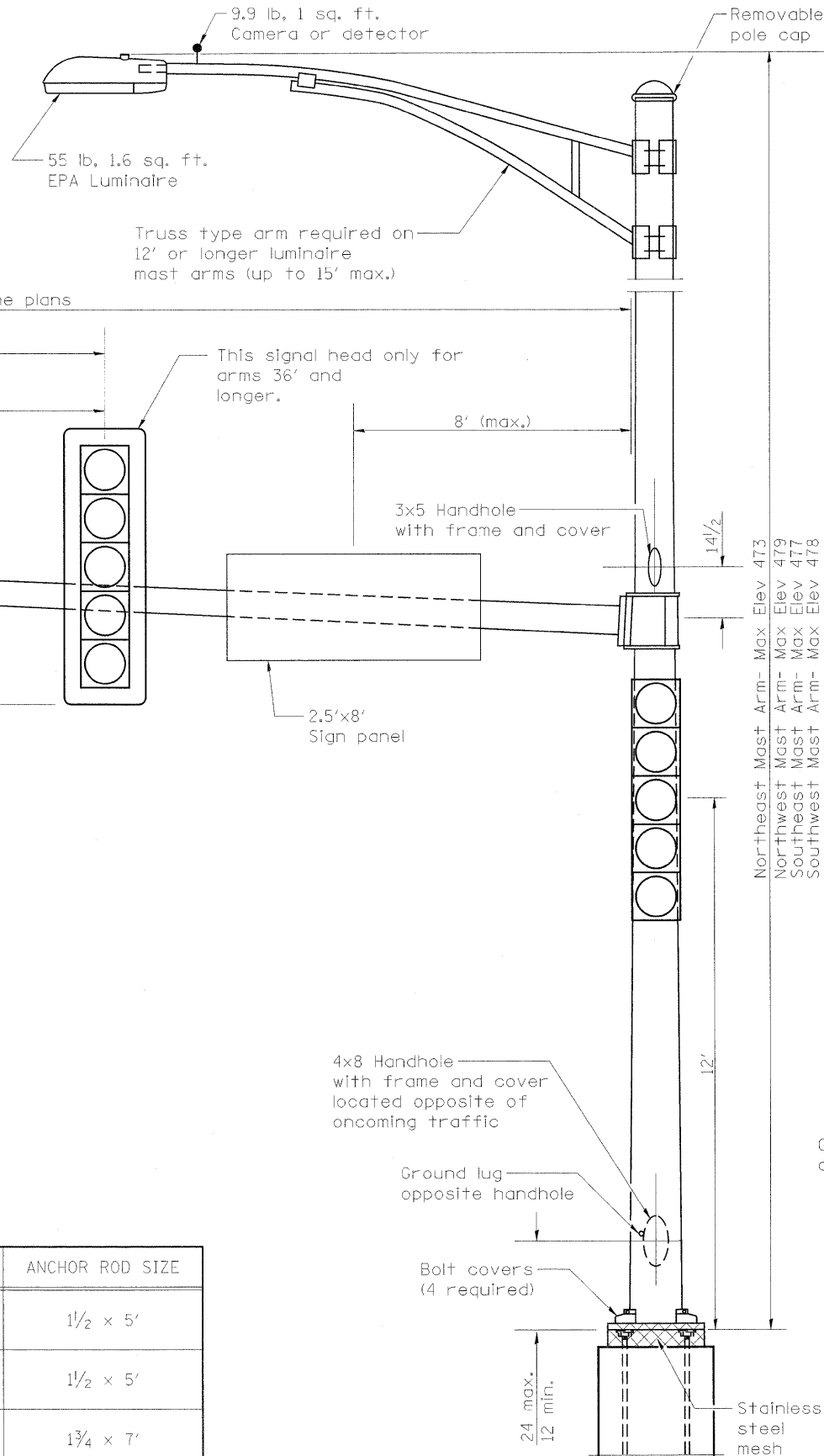


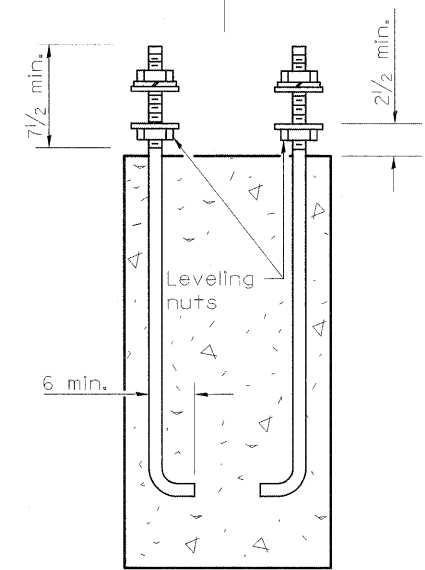
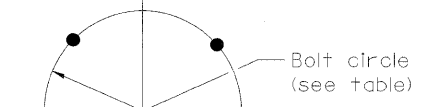
TENON TOP FOR VERTICAL MOUNTED LUMINAIRES



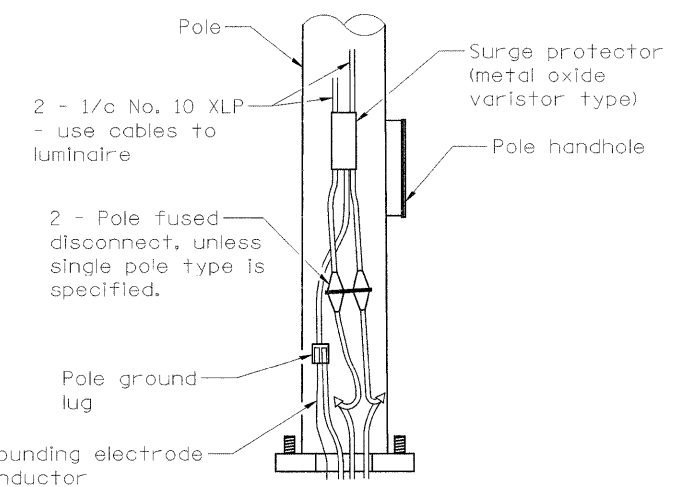
Note: The tenon top shall support a bullhorn fitting with two (twin) vertically mounted luminaires (clamp-mounted bullhorn assembly with removable pole cap acceptable). Each luminaire shall weigh 100 lb and have an effective projected (EPA) area of 3.85 sq. ft.



Highest Point on Structure Including Luminaire



ANCHOR ROD DETAIL



POLE BASE DETAIL

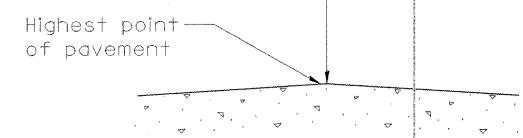
GENERAL NOTES

Signal heads, sign panels, and other attachments are shown for minimum design loading purposes only. Each signal head shall weigh 80 lb and have a projected area of 14.7 sq. ft.

All dimensions are in inches unless otherwise shown.

STEEL COMB. MAST ARM ASSEMBLY AND POLE 16' THROUGH 55'

MAST ARM LENGTH	BOLT CIRCLE	ANCHOR ROD SIZE
16' thru 20'	15	1 1/2 x 5'
22' thru 30'	18	1 1/2 x 5'
32' thru 40'	18	1 3/4 x 7'
42' thru 55'	21	1 3/4 x 7'



FILE NAME =	USER NAME = poe1	DESIGNED -	REVISED -
cs:\pw\work\p\dot\poe1\d0135592\78133-ent-tp.dgn		DRAWN -	REVISED -
		CHECKED -	REVISED -
		DATE -	REVISED -

PLOT SCALE = 50.0000 / IN.	
PLOT DATE = 1/21/2011	

STATE OF ILLINOIS
DEPARTMENT OF TRANSPORTATION

STEEL COMB. MAST ARM ASSEMBLY AND POLE
16' THROUGH 55'

SCALE: SHEET NO. OF SHEETS STA. TO STA.

F.A.P. RTE. 331	SECTION (I-3, I-2IN-1, TS-1)	COUNTY WILLIAMSON	TOTAL SHEETS 251	SHEET NO. 113A
			CONTRACT NO. 78133	
ILLINOIS FED. AID PROJECT				