

SUMMARY OF QUANTITIES

CODE NUMBER	ITEM DESCRIPTION	UNIT	TOTAL QUANTITY	JEFFERSON ROADWAY URBAN	JEFFERSON BRIDGE URBAN
				90% FED 10% STATE	041-0012 (NB) 041-0013 (SB) 90% FED/10% ST
	CONSTRUCTION TYPE CODE			0003	0014
* 25000400	NITROGEN FERTILIZER NUTRIENT	POUND	7,900	7,900	
* 25000500	PHOSPHORUS FERTILIZER NUTRIENT	POUND	3,950	3,950	
* 25000600	POTASSIUM FERTILIZER NUTRIENT	POUND	3,950	3,950	
* 25000700	AGRICULTURAL GROUND LIMESTONE	TON	88	88	
* 25100115	MULCH, METHOD 2	ACRE	88	88	
* 25100630	EROSION CONTROL BLANKET	SQ YD	26,600	26,600	
28000250	TEMPORARY EROSION CONTROL SEEDING	POUND	13,200	13,200	
28000305	TEMPORARY DITCH CHECKS	FOOT	1,210	1,210	
28000400	PERIMETER EROSION BARRIER	FOOT	11,850	11,850	
28000500	INLET AND PIPE PROTECTION	EACH	20	20	
28100707	STONE DUMPED RIPRAP, CLASS A4	SQ YD	166	166	
30200650	PROCESSING MODIFIED SOIL 12"	SQ YD	142,594	142,594	⚠
30201500	LIME	TON	4,234.6	4,234.6	⚠
X3120005	STABILIZED SUBBASE - HOT-MIX ASPHALT (VARIABLE DEPTH)	TON	17,933	17,933	
31200500	STABILIZED SUBBASE HOT-MIX ASPHALT, 4"	SQ YD	142,594	142,594	⚠
40600115	POLYMERIZED BITUMINOUS MATERIALS (PRIME COAT)	GALLON	24	24	
40600990	TEMPORARY RAMP	SQ YD	478	478	
40603575	POLYMERIZED HOT-MIX ASPHALT SURFACE COURSE, MIX "E", N105	TON	29	29	
40800010	BITUMINOUS MATERIALS (PRIME COAT)	GALLON	2,976	2,976	
42000501	PORTLAND CEMENT CONCRETE PAVEMENT 10" (JOINTED)	SQ YD	3,304	3,304	
42000511	PORTLAND CEMENT CONCRETE PAVEMENT 10 1/2" (JOINTED)	SQ YD	11,378	11,378	
42001200	PAVEMENT FABRIC	SQ YD	1,705	1,705	
42001300	PROTECTIVE COAT	SQ YD	14,682	14,682	
42100300	CONTINUOUSLY REINFORCED PORTLAND CEMENT CONCRETE PAVEMENT 10"	SQ YD	27,223	27,223	
42100310	CONTINUOUSLY REINFORCED PORTLAND CEMENT CONCRETE PAVEMENT 10 1/2"	SQ YD	72,869	72,869	
42100340	CONTINUOUSLY REINFORCED PORTLAND CEMENT CONCRETE PAVEMENT 12"	SQ YD	46,552	46,552	⚠
42100615	PAVEMENT REINFORCEMENT	SQ YD	146,644	146,644	⚠
42101300	PROTECTIVE COAT	SQ YD	146,448	146,448	
42101436	LUG SYSTEM COMPLETE 36'	EACH	8	8	
44000100	PAVEMENT REMOVAL	SQ YD	64,461	64,461	⚠
44000163	HOT-MIX ASPHALT SURFACE REMOVAL, 3 1/2"	SQ YD	94,169	94,169	
44004250	PAVED SHOULDER REMOVAL	SQ YD	52,153	48,949	⚠ 3,204
44200998	CLASS B PATCHES, TYPE III, 12 INCH	SQ YD	208	208	
44201000	CLASS B PATCHES, TYPE IV, 12 INCH	SQ YD	1,497	1,497	
44201299	DOWEL BARS 1 1/2"	EACH	1,064	1,064	
44213000	PATCHING REINFORCEMENT	SQ YD	10,586	10,586	
44213200	SAW CUTS	FOOT	28,267	28,267	

*SPECIALTY ITEM

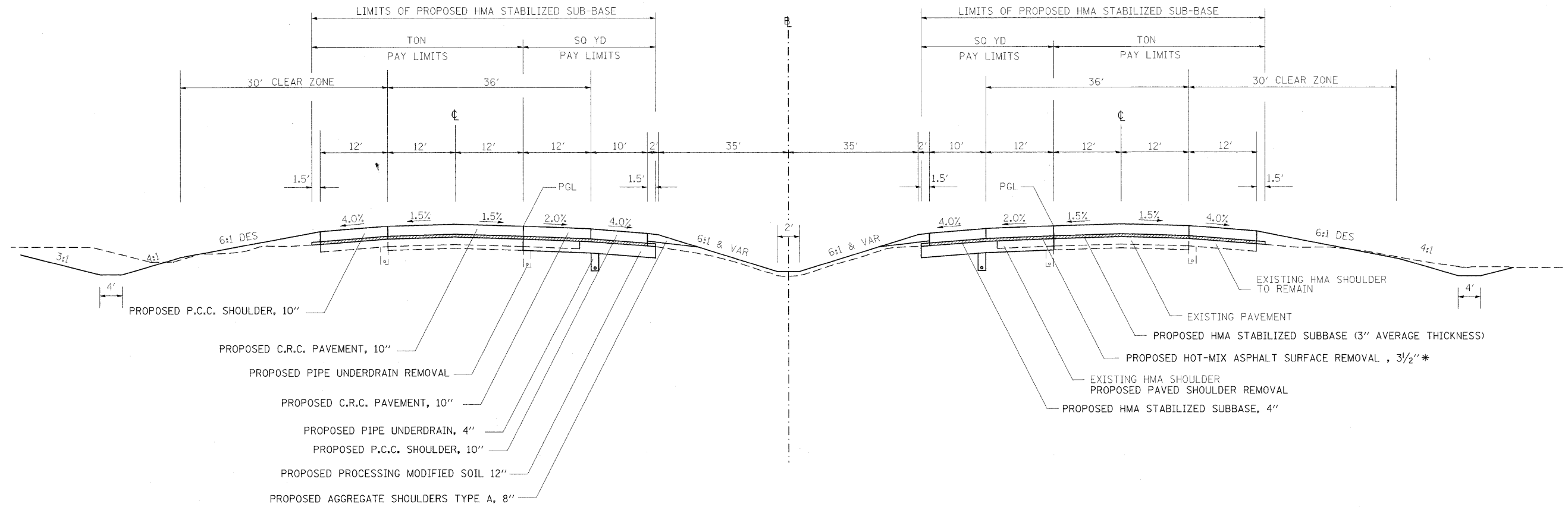
⚠ REVISED 4/12/11

SUMMARY OF QUANTITIES

CODE NUMBER	ITEM DESCRIPTION	UNIT	TOTAL QUANTITY	JEFFERSON ROADWAY URBAN	JEFFERSON BRIDGE URBAN
				90% FED 10% STATE 0003	041-0012 (NB) 041-0013 (SB) 90% FED/10% ST 0014
CONSTRUCTION TYPE CODE					
44213204	TIE BARS 3/4"	EACH	32,715	32,715	
48100700	AGGREGATE SHOULDERS, TYPE A 8"	SQ YD	11,347	11,347	⚠
48300500	PORTLAND CEMENT CONCRETE SHOULDERS 10"	SQ YD	28,178	24,974	3,204
48300510	PORTLAND CEMENT CONCRETE SHOULDERS 10 1/2"	SQ YD	47,262	47,262	
48300700	PORTLAND CEMENT CONCRETE SHOULDERS 12"	SQ YD	16,558	16,558	⚠
48301000	PROTECTIVE COAT	SQ YD	92,005	92,005	
50102400	CONCRETE REMOVAL	CU YD	32.1		32.1
50104400	CONCRETE HEADWALL REMOVAL	EACH	3	3	
50105220	PIPE CULVERT REMOVAL	FOOT	300	300	
50157300	PROTECTIVE SHIELD	SQ YD	394		394
50300255	CONCRETE SUPERSTRUCTURE	CU YD	32.1		32.1
50300260	BRIDGE DECK GROOVING	SQ YD	1,629		1,629
50300300	PROTECTIVE COAT	SQ YD	81.7		81.7
50500405	FURNISHING AND ERECTING STRUCTURAL STEEL	POUND	2,280		2,280
50500505	STUD SHEAR CONNECTORS	EACH	192		192
50800205	REINFORCEMENT BARS, EPOXY COATED	POUND	3,170		3,170
50800515	BAR SPLICERS	EACH	48		48
52000110	PREFORMED JOINT STRIP SEAL	FOOT	230		230
52100010	ELASTOMERIC BEARING ASSEMBLY, TYPE I	EACH	8		8
52100020	ELASTOMERIC BEARING ASSEMBLY, TYPE II	EACH	8		8
52100520	ANCHOR BOLTS, 1"	EACH	32		32
54001001	BOX CULVERT END SECTIONS, CULVERT NO. 1	EACH	1	1	
54010504	PRECAST CONCRETE BOX CULVERTS 5' X 4'	FOOT	12	12	
542A0217	PIPE CULVERTS, CLASS A, TYPE 1 12"	FOOT	40	40	
542A0229	PIPE CULVERTS, CLASS A, TYPE 1 24"	FOOT	474	474	
542A0241	PIPE CULVERTS, CLASS A, TYPE 1 36"	FOOT	76	76	
5421D012	PIPE CULVERTS, CLASS D, TYPE 1 12" (TEMPORARY)	FOOT	406	406	
5421D018	PIPE CULVERTS, CLASS D, TYPE 1 18" (TEMPORARY)	FOOT	307	307	
5421D024	PIPE CULVERTS, CLASS D, TYPE 1 24" (TEMPORARY)	FOOT	934	934	
54213657	PRECAST REINFORCED CONCRETE FLARED END SECTIONS 12"	EACH	1	1	
54213669	PRECAST REINFORCED CONCRETE FLARED END SECTIONS 24"	EACH	7	7	
54217680	REINFORCED CONCRETE PIPE TEE, 24" PIPE WITH 24" RISER	EACH	1	1	
54217700	REINFORCED CONCRETE PIPE TEE, 36" PIPE WITH 24" RISER	EACH	1	1	
54244405	FLUSH INLET BOX FOR MEDIAN, STANDARD 542546	EACH	1	1	
54245205	INLET BOX, STANDARD 542511	EACH	2	2	
54245605	INLET BOX, STANDARD 542536	EACH	2	2	
54245805	INLET BOX, STANDARD 542516	EACH	1	1	
54246205	INLET BOX, STANDARD 542526	EACH	1	1	
54246405	INLET BOX, STANDARD 542531	EACH	1	1	
54248510	CONCRETE COLLAR	CU YD	5	5	
60100060	CONCRETE HEADWALLS FOR PIPE DRAINS	EACH	132	132	
60107600	PIPE UNDERDRAINS 4"	FOOT	37,600	37,600	
60108100	PIPE UNDERDRAINS 4" (SPECIAL)	FOOT	1,752	1,752	
60260100	INLETS TO BE ADJUSTED	EACH	6	6	

⚠ REVISED 4/12/11

FILE NAME =	USER NAME = rrollavr	DESIGNED -	REVISED -	STATE OF ILLINOIS DEPARTMENT OF TRANSPORTATION	SUMMARY OF QUANTITIES				F.A.I. RTE.	SECTION	COUNTY	TOTAL SHEETS	SHEET NO.
ca:\pwwork\pwwork\rollavr\d0169788\78172	sht.schedules.dgn	DRAWN -	REVISED -		SCALE:	SHEET NO.	OF	SHEETS	STA.	TO STA.	Jefferson	422	7
	PLOT SCALE = 50.0000' / IN.	CHECKED -	REVISED -										
	PLOT DATE = 2/23/2011	DATE -	REVISED -										



SOUTHBOUND
STA. 692+00 TO STA. 724+00

NORTHBOUND
STA. 692+00 TO STA. 724+00

* REMOVAL THICKNESS WILL VARY FROM 2" TO 5"

REVISI¹ON SHEET 4/12/11

FILE NAME =	USER NAME = colemm	DESIGNED -	REVISED -	STATE OF ILLINOIS DEPARTMENT OF TRANSPORTATION	TYPICAL SECTION			F.A.I. RTE.	SECTION	COUNTY	TOTAL SHEETS	SHEET NO.
c:\pwork\pwork\colemm\d0169788\78172	sht_mssc.dgn	DRAWN -	REVISED -		57	.	Jefferson	422	11			
	PLOT SCALE = 50.0000' / IN.	CHECKED -	REVISED -		SCALE: SHEET NO. OF SHEETS STA. TO STA.			CONTRACT NO. 78172				
	PLOT DATE = 3/30/2011	DATE -	REVISED -					ILLINOIS FED. AID PROJECT				

PAVEMENT SCHEDULE - STAGE 3

LOCATION STATION TO STATION			COMMENTS	PROCESS MODIFIED SOIL 12"	LIME	STABILIZED SUBBASE**	STABILIZED SUBBASE 4"	PCC SHLDRS 10"	PCC SHLDRS 10 1/2"	PCC SHLDRS 12"	AGG. SHLDRS, TY. A 8"	PVMNT REINF	CRC PVMNT 10"	CRC PVMNT 10 1/2"	CRC PVMNT 12"	PCC PVMNT (JOINTED) 10"	PCC PVMNT (JOINTED) 10 1/2"	RUBBLIZE PCC PVMNT	HMA SURF REM VAR DEPTH	HMA SURFACE REM, 3 1/2"	PAVED SHLDR REM	PVMT REM	
START	TO	END		SQ YD	TON	TON	SQ YD	SQ YD	SQ YD	SQ YD	SQ YD	SQ YD	SQ YD	SQ YD	SQ YD	SQ YD	SQ YD	SQ YD	SQ YD	SQ YD	SQ YD	SQ YD	
636+72.00	TO	640+40.00	SB	1043	31.0		1043			491		491			491							499	511
640+40.00	TO	651+50.00	SB	1480	44.0		1480					1480			1480								1559
651+50.00	TO	659+34.39	SB	2092	62.1		2092					2092			2092								2089
661+86.48	TO	685+00.00	SB	6169	183.2		6169					6169			6169								6167
685+00.00	TO	692+00.00	SB	2917	86.6		2917			933		1867			1867							951	1855
692+00.00	TO	695+79.95	SB			293		507				1013								1518			
695+79.95	TO	706+57.19	SB			943		854				4071		4071						4925			
706+57.19	TO	709+53.71	SB			340		197				791		791		804				1792			
511+38.99	TO	515+45.00	SB VETERAN'S ENT. RAMP	1308	38.9		1308	451								722						453	719
709+53.71	TO	724+00.00	SB			1114		1928				3857		3857						5804			
724+00.00	TO	736+42.22	SB			957						3313						3310		5020			
604+55.00	TO	608+75.00	SB - STAGE 3A VET. EXIT RAMP	1353	40.2		1353															504	745
736+42.22	TO	739+47.58	SB - STAGE 3A			405						814			814					2142			
739+47.58	TO	740+98.95	SB			154						693			693					809			
740+98.95	TO	756+50.00	SB*			764		1723				6204			6204					4103			
756+50.00	TO	760+50.00	SB* - STAGE 3A			204		444				1638			1638					2188			
760+50.00	TO	762+00.00	SB* - STAGE 3A			37		167				490			490					686			
762+00.00	TO	762+00.00	SB			37						200			200					201			
762+00.00	TO	762+27.61	SB - STAGE 3A			10			31			18			18					53			
762+00.00	TO	762+27.61	SB			14						114			114					115			
762+27.61	TO	764+00.35	SB - STAGE 3A			61			187											300			
762+27.61	TO	764+00.35	SB			155						461			461					843			
1+45.00	TO	12+27.87	SB - STAGE 3A IL 15 ENT. RAMP	2106	62.5		2106															1223	6594
1+45.00	TO	12+27.87	SB IL 15 ENT. RAMP	2346	69.7		2346															914	1173
764+00.35	TO	767+50.00	SB			269						932			932					1398			
767+50.00	TO	777+00.00	SB	3958	117.6		3958			1267		2533			2533							1275	2559
777+00.00	TO	784+83.31	SB			603						2089			2089					3197			
8+12.00	TO	10+50.00	SB - STAGE 3A IL 15 EXIT RAMP	619	18.4		619															315	265
8+12.00	TO	10+50.00	SB IL 15 EXIT RAMP	516	15.3		516															177	262
10+50.00	TO	11+67.69	SB - STAGE 3A IL 15 EXIT RAMP			49																	
10+50.00	TO	11+67.69	SB IL 15 EXIT RAMP			47																	
784+83.31	TO	788+10.10	SB - STAGE 3A			131			435														
784+83.31	TO	788+10.10	SB			334						871			871								
788+10.10	TO	790+00.00	SB - STAGE 3A			76			253			125			125								
788+10.10	TO	790+00.00	SB			141						761			761								
790+00.00	TO	819+50.00	SB - STAGE 3A			1581			3933			4132			4132								
790+00.00	TO	819+50.00	SB			727						3933			3933								
819+50.00	TO	821+00.00	SB - STAGE 3A	425	12.6		425			200		200			200							200	347
819+50.00	TO	821+00.00	SB	200	5.9		200					200			200								200
821+00.00	TO	828+17.95	SB - STAGE 3A	2034	60.4		2034			957		957			957							957	1270
634+10.00	TO	646+49.11	NB	3235	96.1		3235			1377	275	1652			1652							1443	973
STAGE 3 TOTAL				31,801	944.5	9,446	31,801	3,937	14,081	5,225	275	54,161	9,732	26,788	17,641	1,526	6,189	31,042	0	51,423	8,911	27,288	

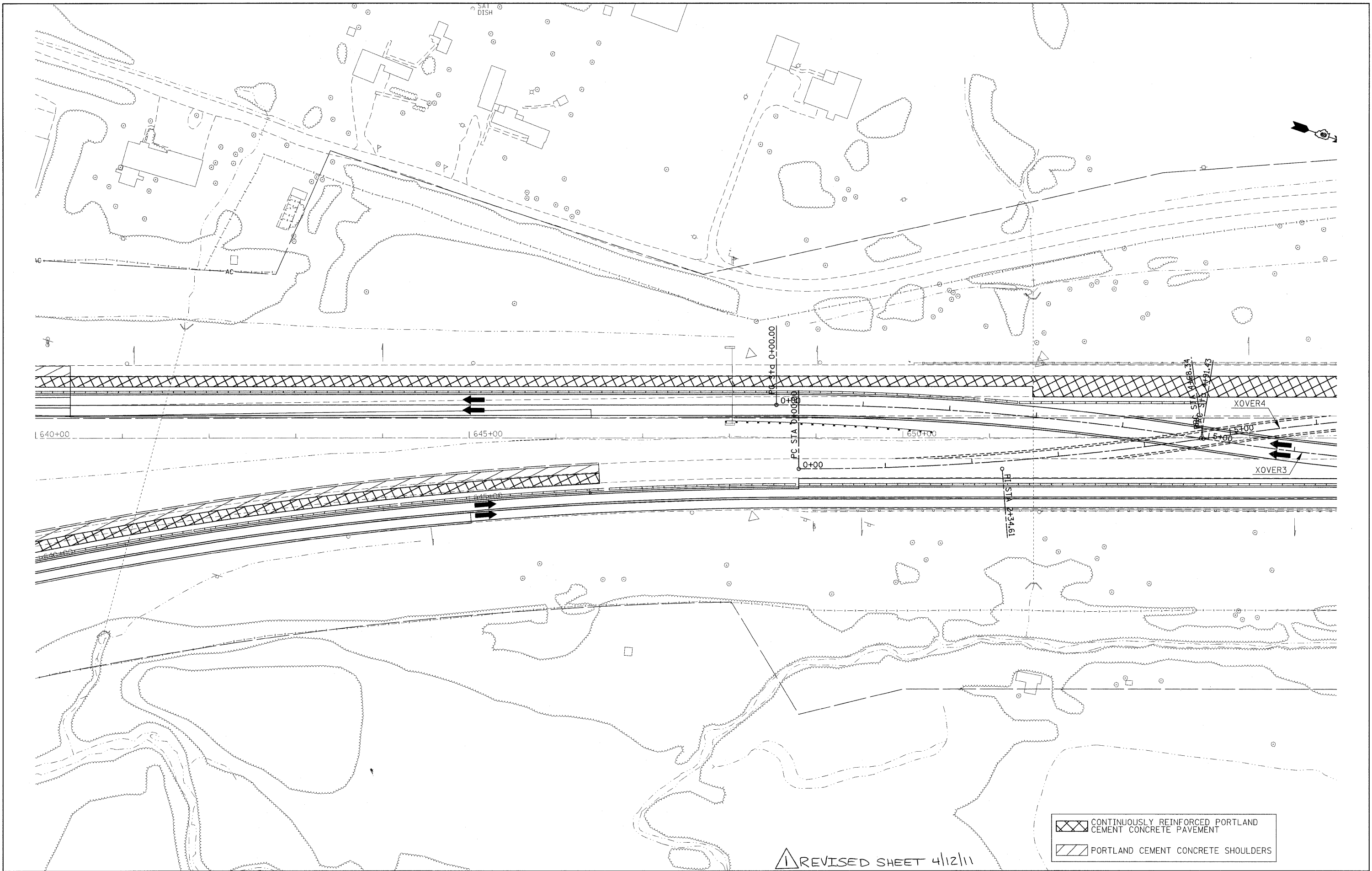
*NO RUBBLIZATION OR SUBBASE ON AUXILLARY LANE AND 10' OUTSIDE SHOULDER
 **QUANTITY CALCULATED ASSUMING 3" THICKNESS PLUS A 10% CONTINGENCY FACTOR

PAVEMENT SCHEDULE - STAGE 4

LOCATION STATION TO STATION			COMMENTS	PROCESS MODIFIED SOIL 12"	LIME	STABILIZED SUBBASE	STABILIZED SUBBASE 4"	PCC SHLDRS 10"	PCC SHLDRS 10 1/2"	PCC SHLDRS 12"	AGG. SHLDRS, TY. A 8"	PVMNT REINF	CRC PVMNT 10"	CRC PVMNT 10 1/2"	CRC PVMNT 12"	PCC PVMNT (JOINTED) 10"	PCC PVMNT (JOINTED) 10 1/2"	RUBBLIZE PCC PVMNT	HMA SURF REM VAR DEPTH	HMA SURFACE REM, 3 1/2"	PAVED SHLDR REM	PVMT REM	
START	TO	END		SQ YD	TON	TON	SQ YD	SQ YD	SQ YD	SQ YD	SQ YD	SQ YD	SQ YD	SQ YD	SQ YD	SQ YD	SQ YD	SQ YD	SQ YD	SQ YD	SQ YD	SQ YD	
636+72.00	TO	640+40.00	SB - MIDDLE 12' LANE	491	14.6		491					491			491								491
640+40.00	TO	651+50.00	SB - MIDDLE 12' LANE	1880	55.8		1880					1880			1880								1880
821+00.00	TO	828+17.95	SB - INSIDE SHLDR & 2 - 12' LANES	2832	84.1		2832			798	160	1915			1915							668	1610
634+10.00	TO	636+10.00	NB - RIGHT 2 LANES	533	15.8		533					533			533								533
636+10.00	TO	645+00.00	NB - MIDDLE LANE	1187	35.2		1187					1187			1187								1187
645+00.00	TO	648+80.00	NB - MIDDLE LANE(LT EXIST. LANE)	507	15.0		507					507			507								507
STAGE 4 TOTAL				7,430	220.5	0	7,430	0	0	798	160	6,513	0	0	6,513	0	0	0	0	0	0	668	6,208
TOTAL STAGES 1-4				142,594	4,234.6	17,933	142,594	24,039	44,766	16,558	7,938	146,644	27,223	72,869	46,552	3,304	11,378	55,661	7,659	94,169	48,949	55,605	

REVISIED SHEET 4/12/11

FILE NAME =	USER NAME = rollavr	DESIGNED -	REVISED -	STATE OF ILLINOIS DEPARTMENT OF TRANSPORTATION	PAVEMENT SCHEDULE				F.A.I. RTE. 57	SECTION *	COUNTY Jefferson	TOTAL SHEETS 422	SHEET NO. 18
ct:\pwork\pwork\rollavr\08169788\78172	ght_schedules.dgn	DRAWN -	REVISED -		SCALE:	SHEET NO.	OF SHEETS	STA.	TO STA.	ILLINOIS FED. AID PROJECT CONTRACT NO. 78172			
	PLOT SCALE = 58,0000 ' / IN.	CHECKED -	REVISED -										
	PLOT DATE = 3/30/2011	DATE -	REVISED -										



FILE NAME =
 c:\pw_work\puidot\rollavr\d0169788\78172

USER NAME = rollavr
 sht-stg3.dgn
 PLOT SCALE = 50.0000' / IN.
 PLOT DATE = 3/30/2011

DESIGNED -
 DRAWN -
 CHECKED -
 DATE -

REVISED -
 REVISED -
 REVISED -
 REVISED -

**STATE OF ILLINOIS
 DEPARTMENT OF TRANSPORTATION**

**STAGING / MAINTENANCE OF TRAFFIC
 STAGE 3**

SCALE: 50 SHEET NO. 3 OF 18 SHEETS STA. TO STA.

F.A.I. RTE.	SECTION	COUNTY	TOTAL SHEETS	SHEET NO.
57	*	Jefferson	422	72
CONTRACT NO. 78172				