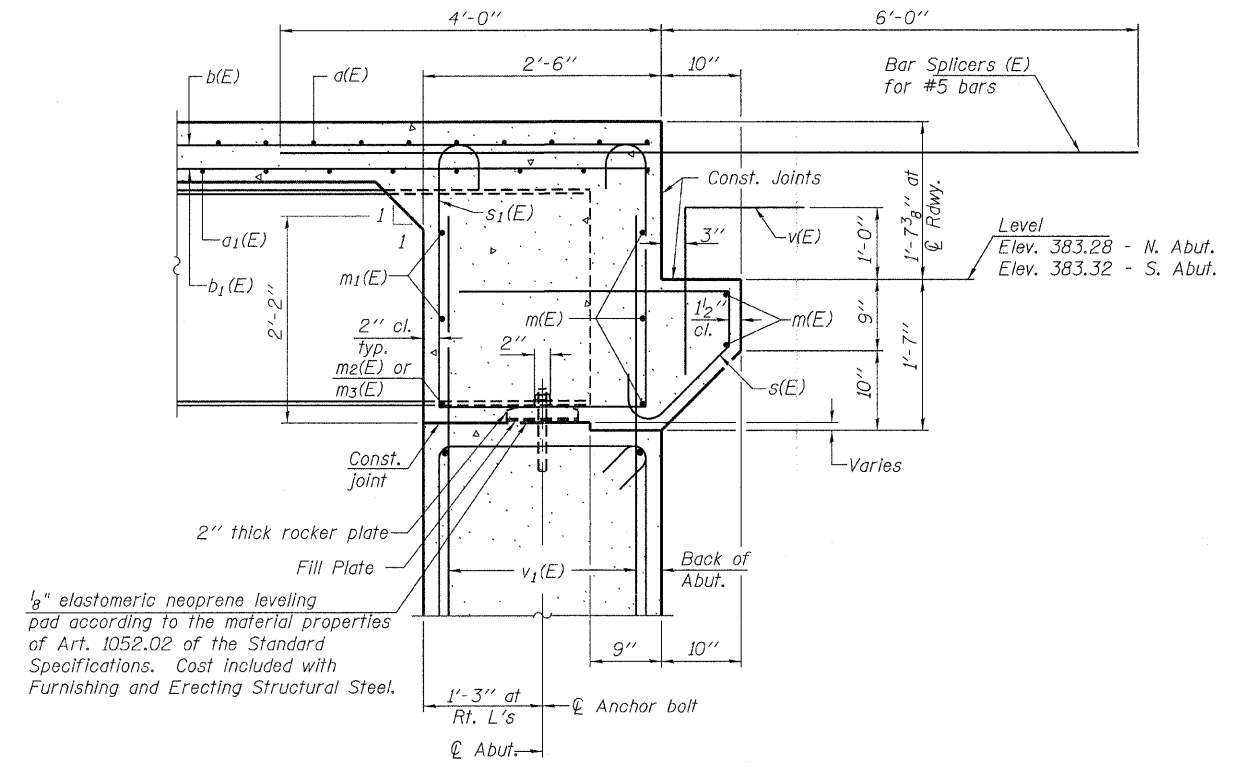
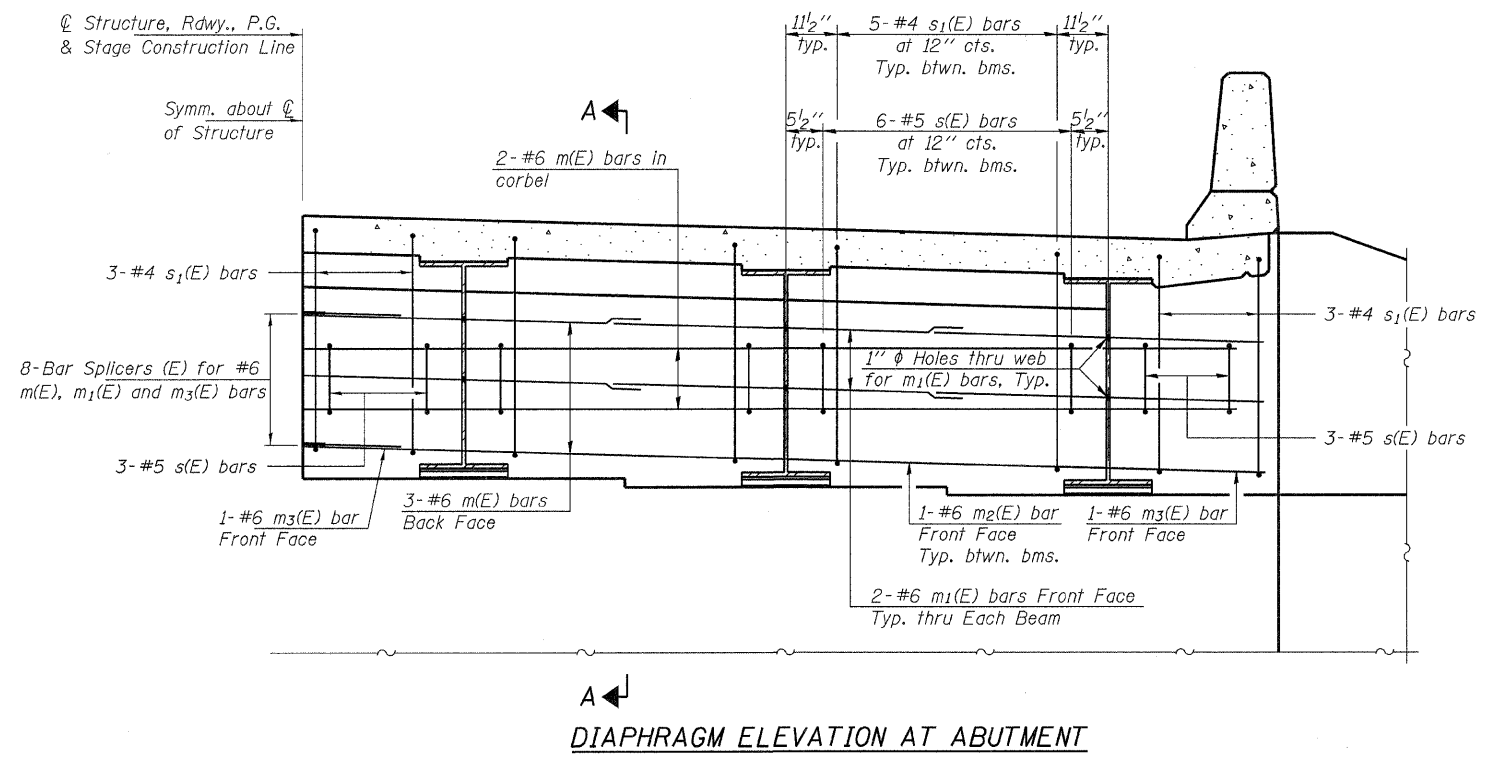


Notes:
 Reinforcement bars in diaphragm are billed with superstructure on sheet 11 of 24.
 Concrete in diaphragm is included with Concrete Superstructure on sheet 11 of 24.
 The s(E) and s1(E) bars shall be placed parallel to the beams. Spacing for these bars shall be at right angles to the beams.
 For Bar Splicer details see sheet 20 of 24.

MIN. BAR LAP
 #6 bar = 3'-4"



FILE NAME = 090116-sht-bridge.dgn	USER NAME =	DESIGNED - S.M.S.	REVISED - 10/14/10	STATE OF ILLINOIS DEPARTMENT OF TRANSPORTATION	SUPERSTRUCTURE DETAILS STRUCTURE NO. 097-0075	FAP	SECTION	COUNTY	TOTAL SHEETS	SHEET NO.	
HAMPTON, LENZINI AND RENWICK, INC. 3585 STEVENSON DRIVE, SUITE 201 SPRINGFIELD, ILLINOIS 62703	PLOT SCALE =	CHECKED - A.S.L.	REVISED - 12/10/10			328	105B-2	WHITE	55	33	
HLR ILLINOIS PROFESSIONAL DESIGN FIRM LS / PE / SE CORP. 184.000869	PLOT DATE = 1/5/2011	DRAWN - D.A.B.	REVISED -			CONTRACT NO. 78188					
		CHECKED - M.D.C.	REVISED -			ILLINOIS FED. AID PROJECT					
						SHEET NO. 12 OF 24 SHEETS					