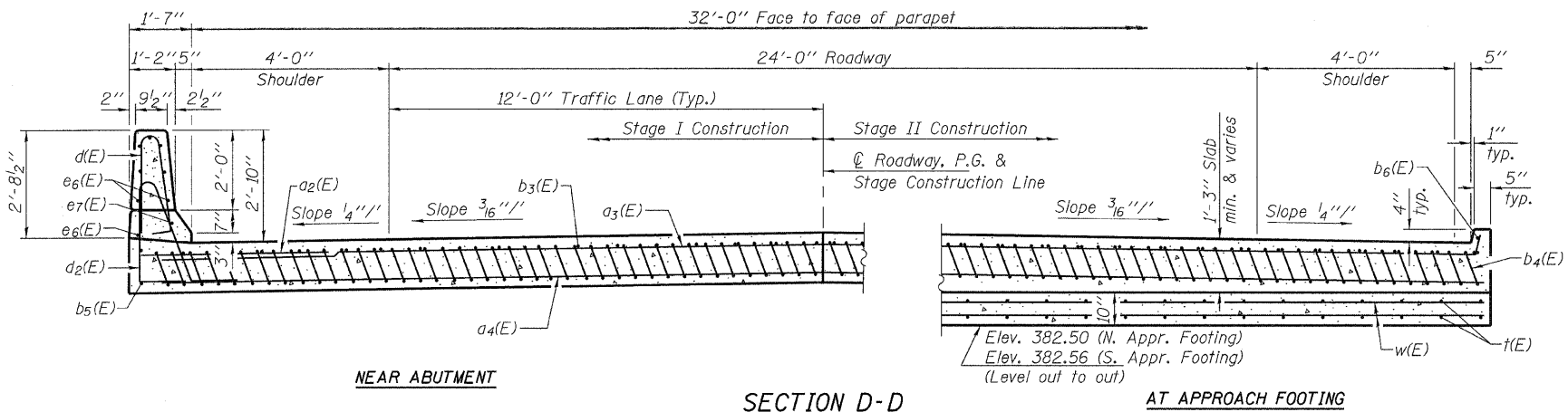
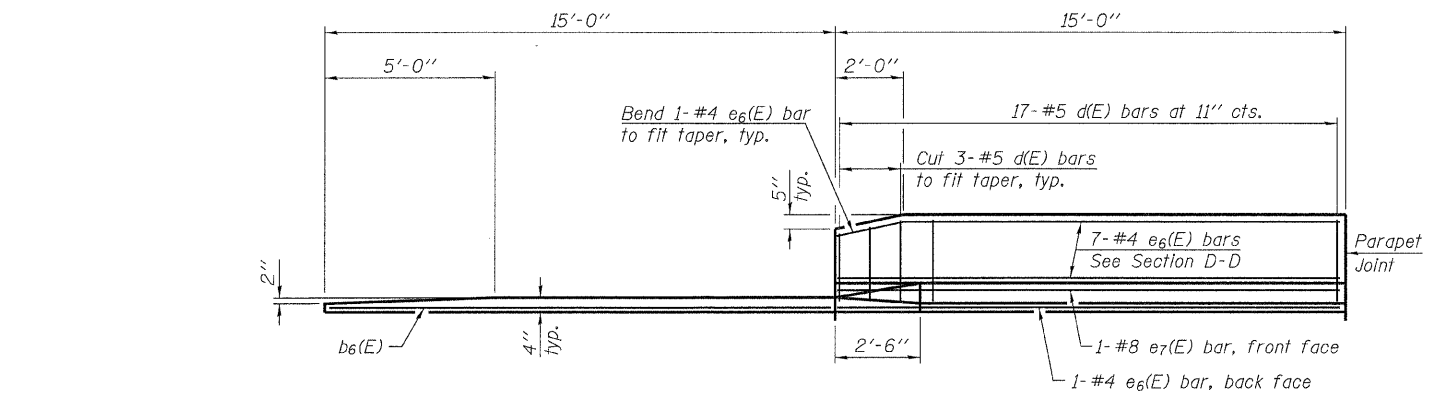


SECTION C-C

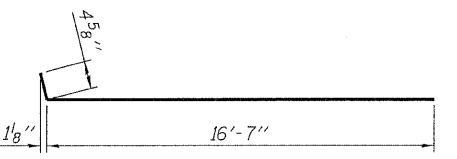


SECTION D-D

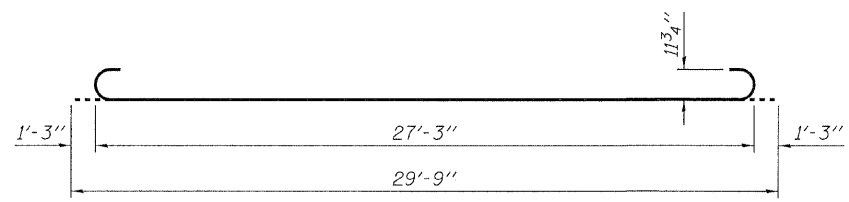
(See Plan for dimensions not shown)



VIEW E-E

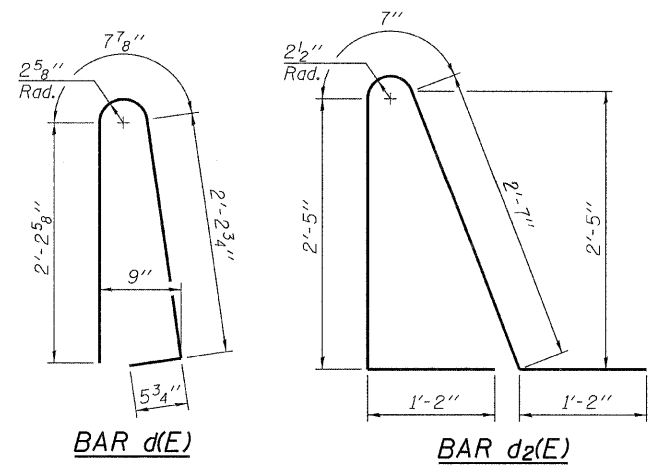


BAR a3(E)



BAR b4(E)

Notes:
 See sheet 13 of 24 for Detail A and View B-B.
 Approach slab and parapet concrete shall be paid for as Concrete Superstructure.
 Approach footing concrete shall be paid for as Concrete Structures.
 Reinforcement shall be paid for as Reinforcement Bars, Epoxy Coated.
 For v(E) bar details, see sheet 12 of 24.
 The approach footing maximum applied service bearing pressure (Qmax) = 2.0 ksf.
 For bar splicer details, see sheet 20 of 24.
 Cost of excavation for approach footing included with Concrete Structures.
 For Porous Granular Embankment (Special) and drainage treatment details, see sheet 2 of 24.
 For additional parapet details, see sheet 11 of 24.



BAR d(E)

BAR d2(E)

* Tilt #9 b4(E) bars as required to maintain clearance.
 *** Cost included with Concrete Superstructure.

**TWO APPROACHES
 BILL OF MATERIAL**

Bar	No.	Size	Length	Shape
a2(E)	48	#6	6'-6"	—
a3(E)	100	#4	17'-0"	—
a4(E)	184	#5	16'-7"	—
b3(E)	56	#4	29'-8"	—
b4(E)	160	#9	29'-9"	—
b5(E)	4	#4	14'-8"	—
b6(E)	4	#4	14'-8"	—
d(E)	68	#5	5'-7"	⌒
d2(E)	68	#5	7'-11"	⌒
e6(E)	32	#4	14'-8"	—
e7(E)	4	#8	14'-8"	—
t(E)	144	#4	9'-8"	—
w(E)	160	#5	16'-7"	—
Concrete Structures			Cu. Yd.	20.8
Concrete Superstructure			Cu. Yd.	106.0
Reinforcement Bars, Epoxy Coated			Pound	27,280
Bar Splicers			Each	222