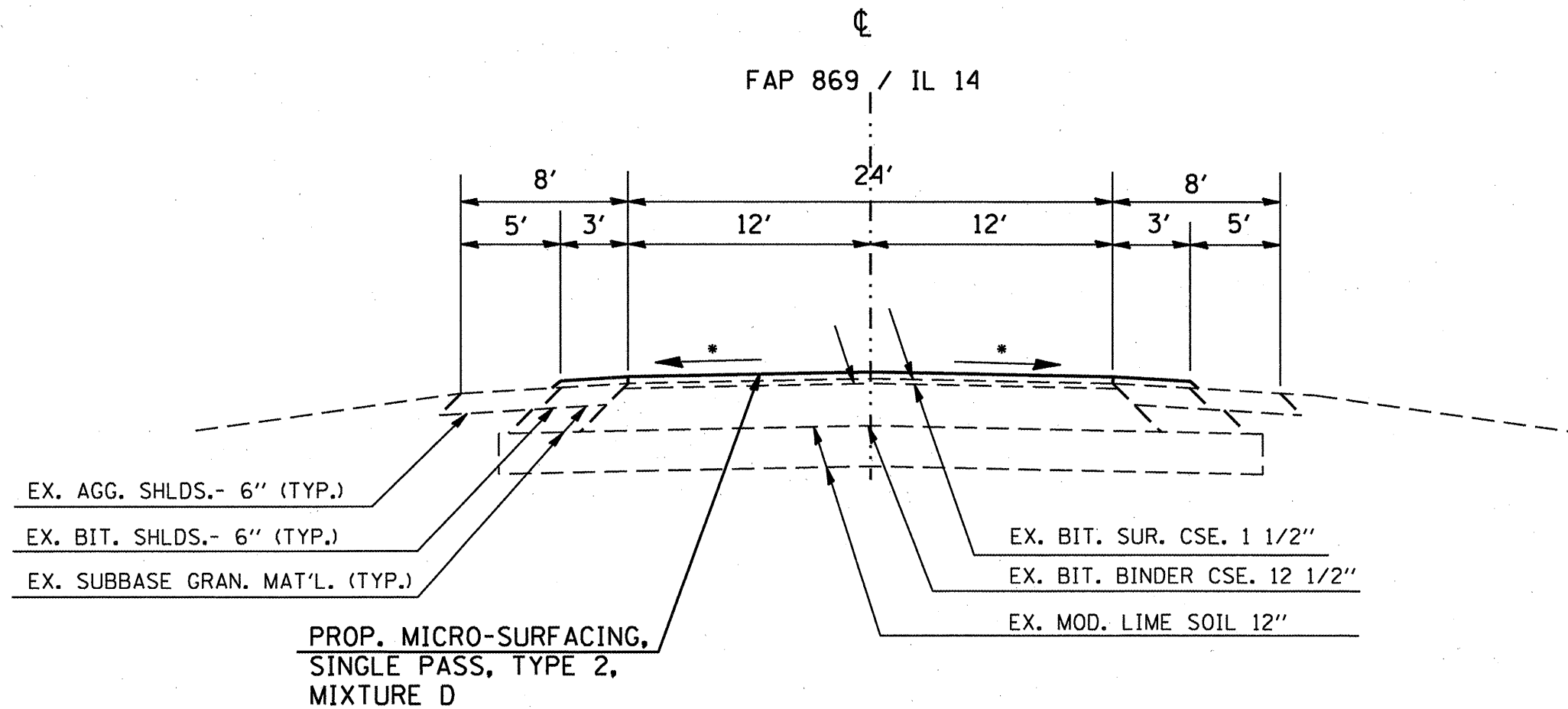


# TYPICAL SECTION



TO BE USED:  
STA. 84+50 TO STA. 179+32

\*MATCH EXISTING SLOPE.

FILE NAME =	USER NAME = mcoordkr	DESIGNED - ---	REVISED - ---	<b>STATE OF ILLINOIS DEPARTMENT OF TRANSPORTATION</b>	<b>TYPICAL SECTION</b>	F.A.P. RTE. =	SECTION	COUNTY	TOTAL SHEETS	SHEET NO.
ct:\pw\work\pwidot\mcoordkr\d0239288\7827-sh-t-plen.dgn		DRAWN - ---	REVISED - ---			869	09_PAVT_PBESEBY_2011-2	PEBBY	11	4
PLOT SCALE = 100.0000' / IN.		CHECKED - ---	REVISED - ---							
PLOT DATE = 2/3/2011		DATE - ---	REVISED - ---							
						SCALE: _____ SHEET NO. ___ OF ___ SHEETS		STA. _____ TO STA. _____		ILLINOIS FED. AID PROJECT
						<b>CONTRACT NO. 79227</b>				