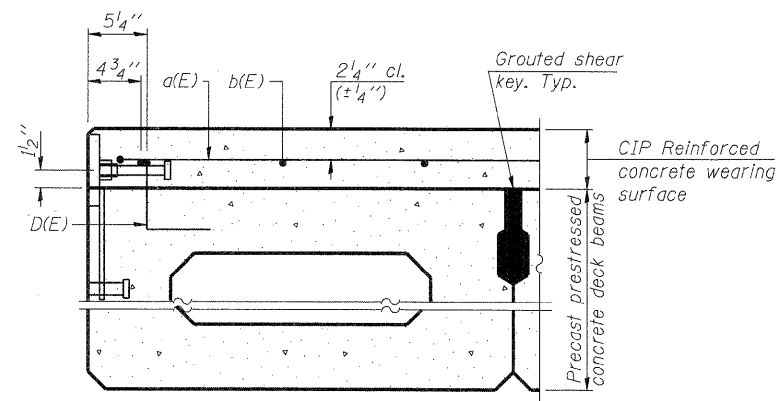
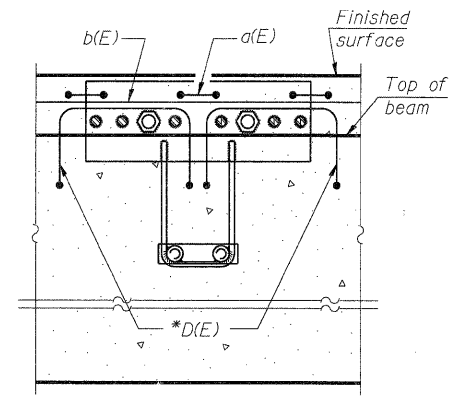


PLAN

Notes:
Formwork necessary for the wearing surface may be secured utilizing the bottom rail anchorage inserts and/or additional inserts cast into the beam.

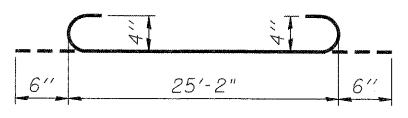


SECTION THRU FASCIA BEAM



SECTION A-A

* See Sheet S-6



BAR a(E)

**SUPERSTRUCTURE
BILL OF MATERIAL**

| Bar | No. | Size | Length | Shape |
|----------------------------------|-----|------|---------|-------|
| a(E) | 56 | #4 | 26'-2" | |
| b(E) | 48 | #4 | 29'-0" | |
| Reinforcement Bars, Epoxy Coated | | | Pound | 1,910 |
| Concrete Wearing Surface, 5" | | | Sq. Yd. | 149.0 |

Bars indicated thus 1 x 2-#4 etc. indicates 1 line of bars with 2 lengths per line.

COMPANY NAME: SEC GROUP, INC.
PROJECT CONTACT: Kevin Arft
CLIENT: City of Rockford
DATE PLOTTED: 12/16/2010 11:17:19 AM
FILE NAME: 86100020-sup-01.dgn
PLOT DRIVER: PDF.plt
PEN TABLE: standard-trans.tbl

Illinois Professional Design Firm # 104-000109
SEC Group, Inc.
An HR Group Company
420 N. Third Street
Rockford, IL 61102-2150
1-815-398-1778 • FAX 815-398-1781
www.secgroupinc.com
464 Perry St., Skokie, IL • New Lenox, IL • Chicago, IL

| | | |
|-------------------------|--------------------|-----------|
| USER NAME = whood | DESIGNED - JMW | REVISIONS |
| PLLOT SCALE = N.T.S. | CHECKED - RGD | REVISIONS |
| PLLOT DATE = 12/16/2010 | DRAWN - RCB | REVISIONS |
| | CHECKED - 12/16/10 | REVISIONS |

**STATE OF ILLINOIS
DEPARTMENT OF TRANSPORTATION**

**SUPERSTRUCTURE DETAILS
STONERIDGE DRIVE - S.N. 101-6011**

SHEET NO. S-4 OF S-12 SHEETS

| | | | | |
|--------------------|----------------|-----------|---------------------------|-----------|
| F.A. RTE. | SECTION | COUNTY | TOTAL SHEETS | SHEET NO. |
| | 09-00559-00-BR | WINNEBAGO | 21 | 11 |
| CONTRACT NO. 85528 | | | ILLINOIS FED. AID PROJECT | |