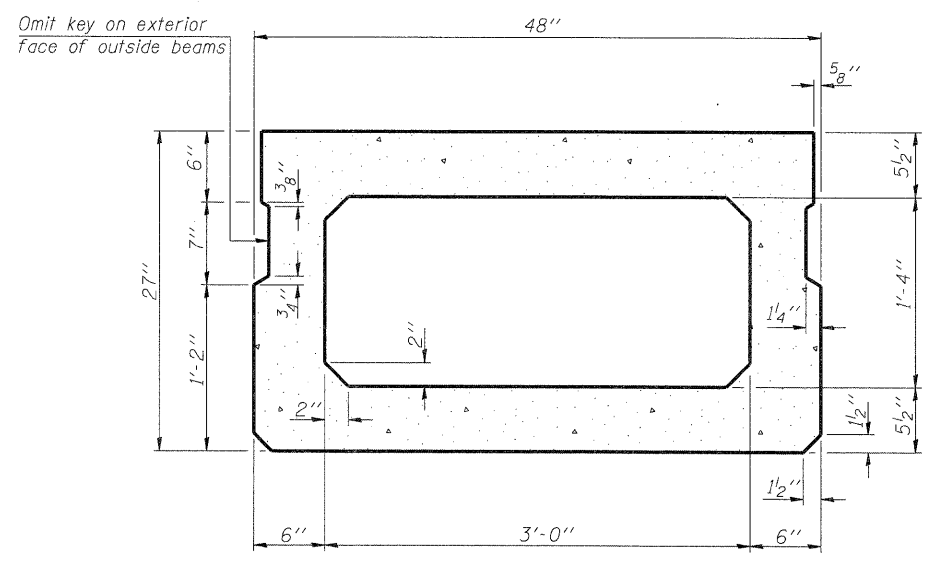
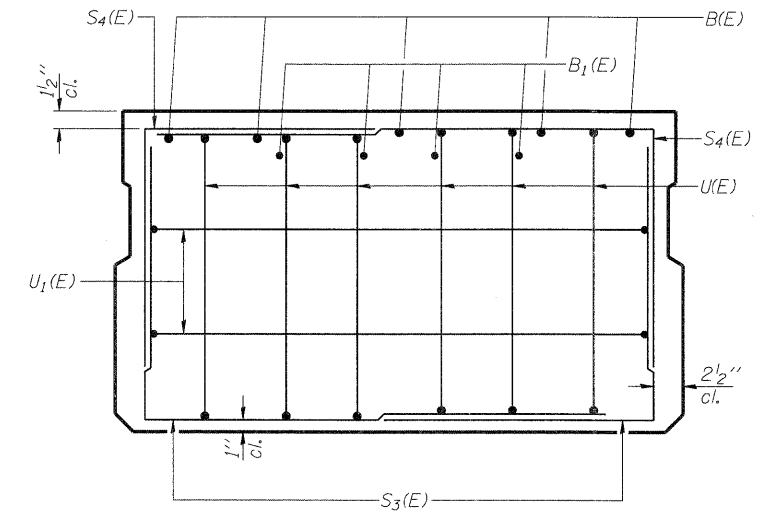


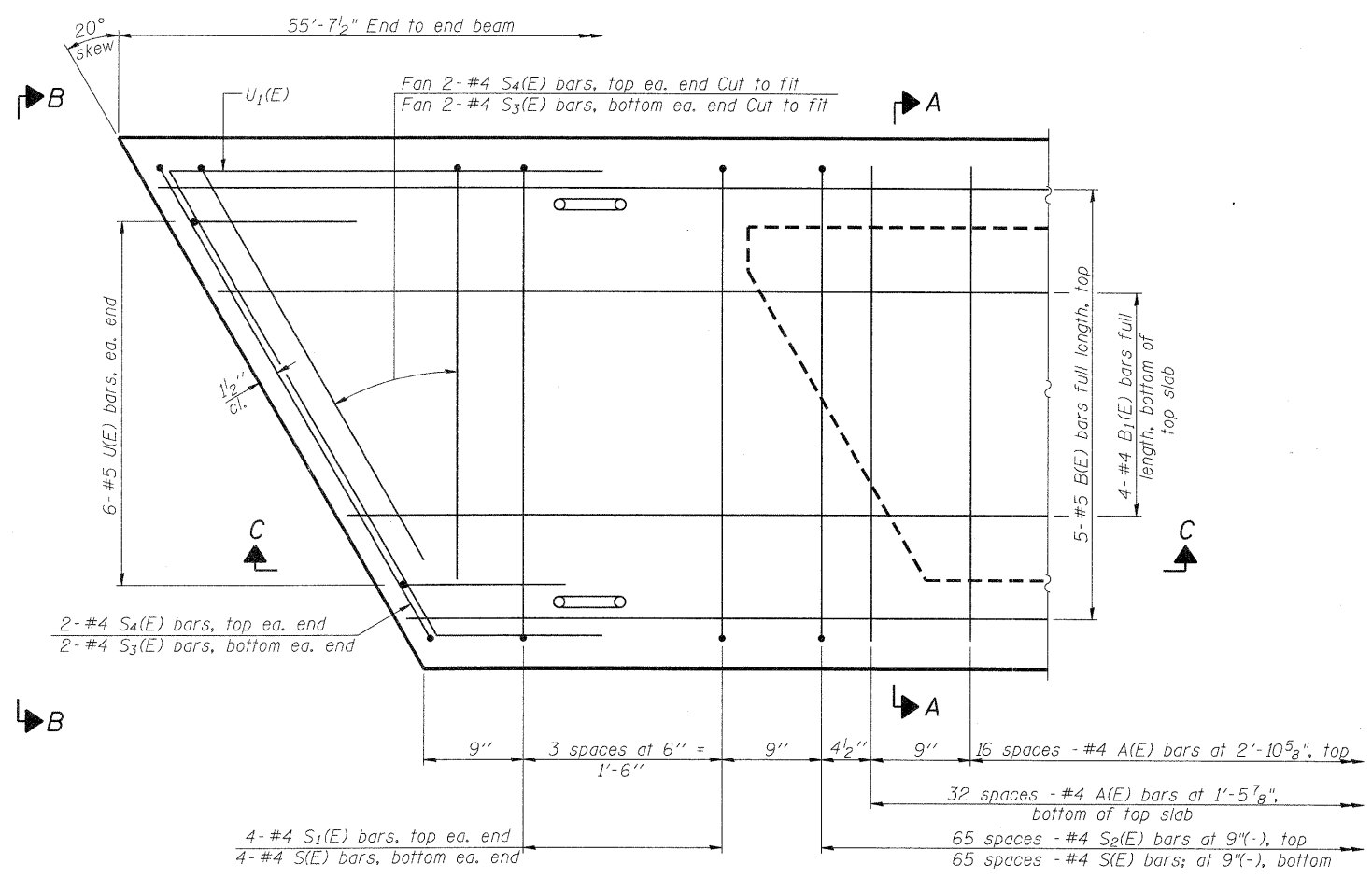
SECTION C-C



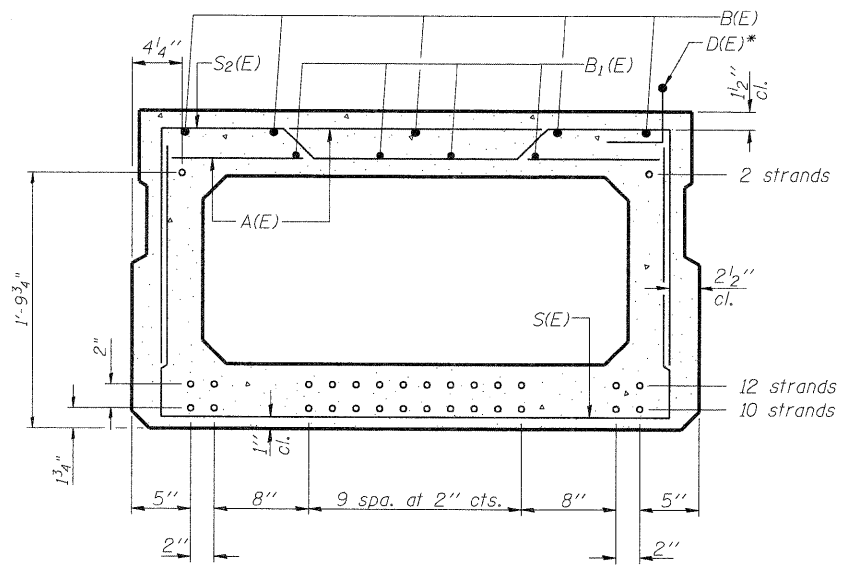
SECTION A-A  
(Showing dimensions)



VIEW B-B



PLAN VIEW



SECTION A-A  
(Showing reinforcement and permissible strand locations)

Note: Place the number of strands specified in each row symmetrically about the centerline of beam in the permissible strand locations shown.

BAR LIST  
ONE BEAM ONLY  
(For information only)

Bar	No.	Size	Length	Shape
A(E)	50	#4	3'-7"	—
B(E)	5	#5	55'-4 1/2"	—
B1(E)	4	#4	55'-4 1/2"	—
D(E)*	20	#4	2'-9"	┌
S(E)	74	#4	7'-5"	┌
S1(E)	8	#4	6'-11"	┌
S2(E)	66	#4	7'-2"	┌
S3(E)	12	#4	5'-1"	┌
S4(E)	12	#4	4'-10"	┌
U(E)	12	#5	4'-6"	┌
U1(E)	4	#4	7'-6"	┌

\* 20-D(E) bars are required for each exterior beam only.

Note: See sheet S-6 for additional details and Bill of Material.

Note: Spacing of S(E) and S2(E) bars may be adjusted up to 4" in the immediate area of the transverse tie diaphragms to miss the block outs for the transverse ties.

COMPANY NAME: SEC GROUP, INC.  
PROJECT CONTACT: Ken Latta  
CLIENT: City of Rockford  
DATE PLOTTED: 12/16/2010 11:17:23 AM  
FILE NAME: 86100020-sup-02.dgn  
PLOT DRIVER: PDF-D11  
PEN TABLE: standard-trans.tbl

SEC Group, Inc.  
An HR Group Company  
401 N. Front Street  
Rockford, IL 61102-3139  
1-815-398-1178 • 815-398-1781  
www.secgroupinc.com  
©2010 SEC Group, Inc. All Rights Reserved.

USER NAME = whood	DESIGNED - JMW	REVISED -
PLOT SCALE = N.T.S.	CHECKED - RGD	REVISED -
PLOT DATE = 12/16/2010	DRAWN - RCB	REVISED -
	CHECKED - 12/16/10	REVISED -

STATE OF ILLINOIS  
DEPARTMENT OF TRANSPORTATION

SUPERSTRUCTURE DETAILS  
STONERIDGE DRIVE - S.N. 101-6011  
SHEET NO. S-5 OF S-12 SHEETS

F.A. RTE.	SECTION	COUNTY	TOTAL SHEETS	SHEET NO.
	09-00559-00-BR	WINNEBAGO	21	12
CONTRACT NO. 85528			ILLINOIS FED. AID PROJECT	