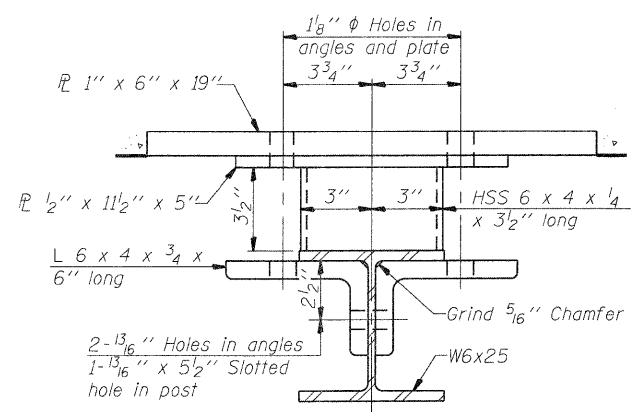
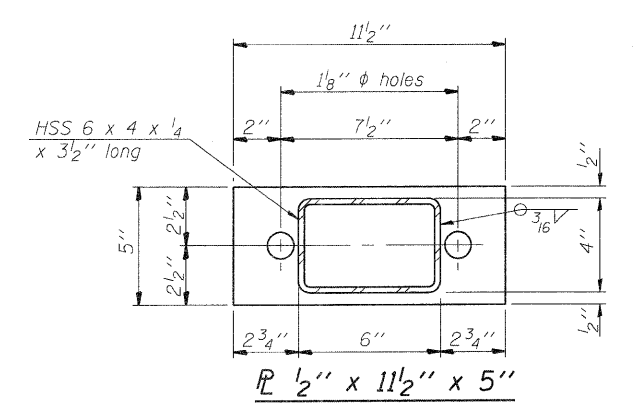


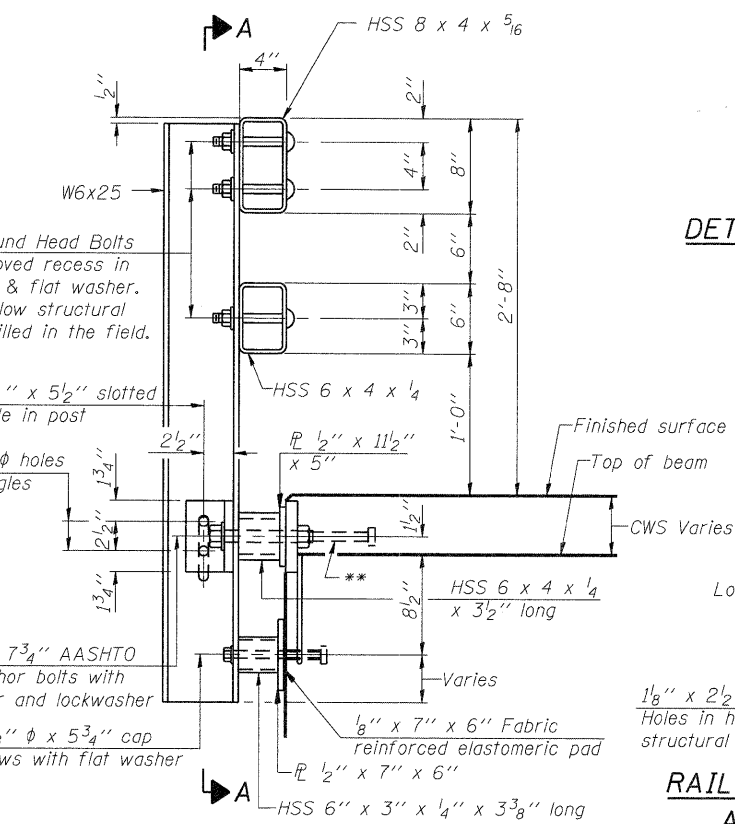
SECTION A-A



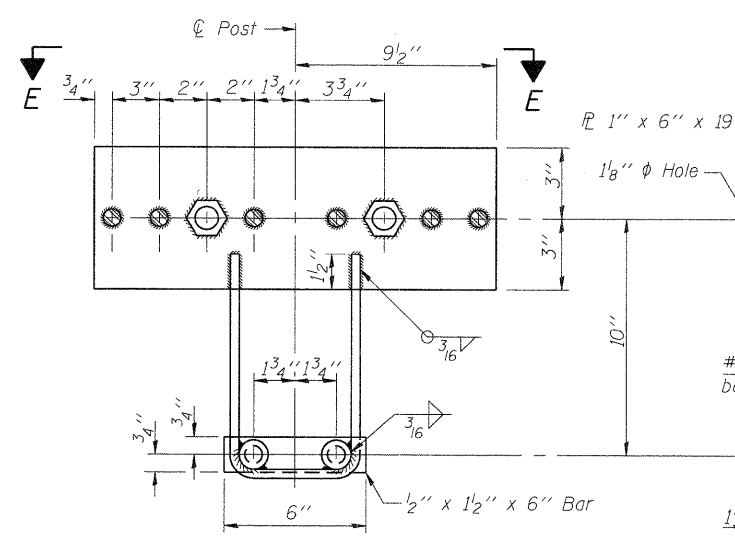
SECTION B-B



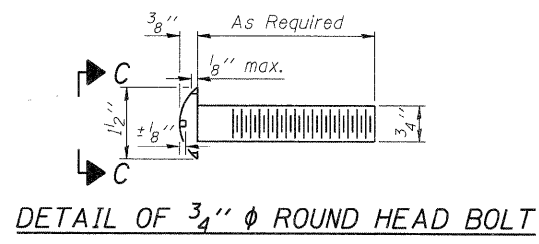
ANCHOR DEVICE



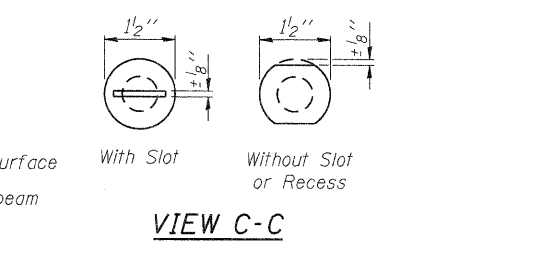
SECTION AT RAIL POST



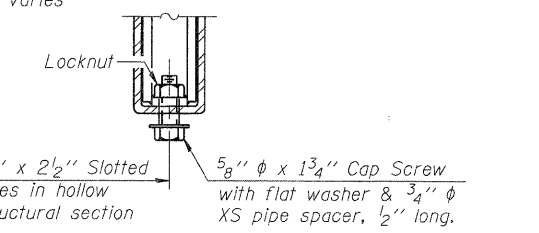
RAIL SPLICE CONNECTION AT EXPANSION JT.



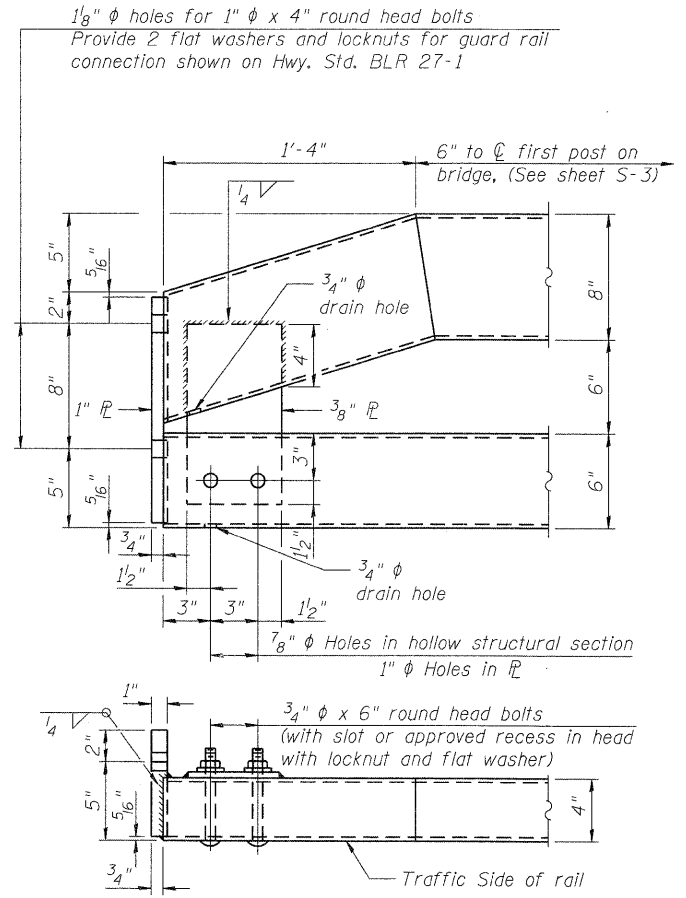
DETAIL OF 3/4" diameter ROUND HEAD BOLT



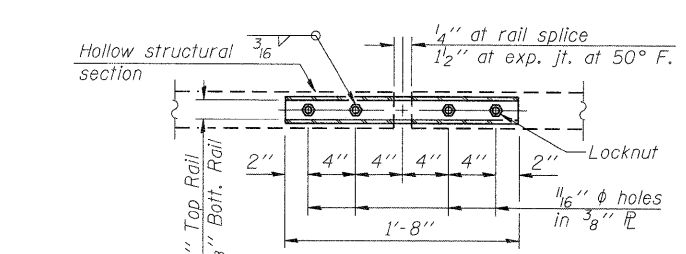
VIEW C-C



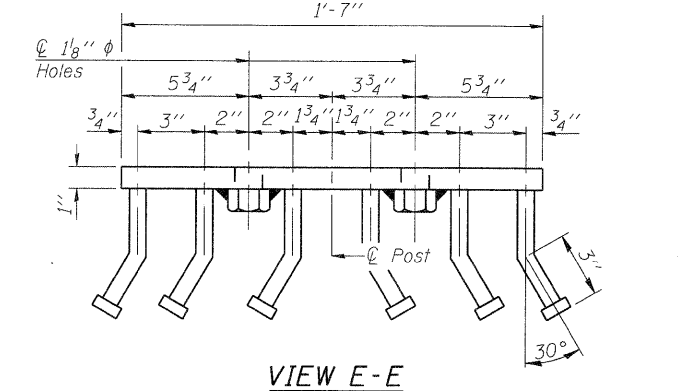
SECTION AT RAIL SPLICE



END OF RAIL DETAILS



PLAN-BOTT. SPLICE TYPICAL



VIEW E-E

BILL OF MATERIAL

Item	Unit	Quantity
Steel Railing, Type SM	Foot	114

*Threaded areas shall be plugged or blocked off during casting of beam. Galvanized after fabrication.

Notes:
 All field drilled holes shall be coated with an approved zinc rich paint before erection.
 For multi-span bridges, sufficient 1/4" x 6" x 1'-2" galvanized steel shims shall be provided to align rail between adjacent spans. Cost included with Steel Railing, Type SM.
 Steel rail elements shall be galvanized according to Article 509.05 of the Standard Specifications.
 ** The studs of the anchor devices shall be placed below the top reinforcement bars and the outermost longitudinal reinforcement bar shall be placed directly above the studs of the rail post anchor device.

R-34CWS

7-1-10

COMPANY NAME: SEC GROUP, INC.
 PROJECT CONTACT: Kevin Arft
 CLIENT: City of Rockford
 DATE PLOTTED: 12/16/2010 11:44 AM
 FILE NAME: 86100020-brd-01.dgn
 PLOT DRIVER: PLOT.DWT
 PEN TABLE: Standard-0-Francis.tbl



USER NAME = whoad	DESIGNED - JMW	REVISOR -
PLOT SCALE = N.T.S.	CHECKED - RGD	REVISOR -
PLOT DATE = 12/16/2010	DRAWN - RCB	REVISOR -
	CHECKED - 12/16/10	REVISOR -

STATE OF ILLINOIS
 DEPARTMENT OF TRANSPORTATION

RAILING DETAILS
 STONERIDGE DRIVE - S.N. 101-6011

SHEET NO. S-9 OF S-12 SHEETS

F.A. RTE.	SECTION	COUNTY	TOTAL SHEETS	SHEET NO.
	09-00559-00-BR	WINNEBAGO	21	16
CONTRACT NO. 85528			ILLINOIS FED. AID PROJECT	