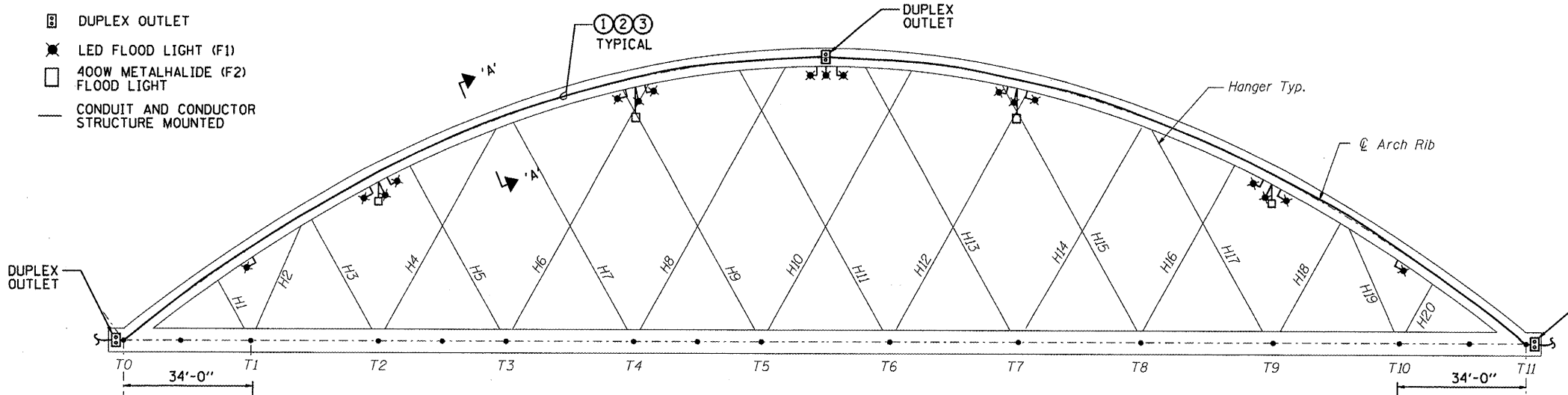


PLAN - ROADWAY LIGHTING

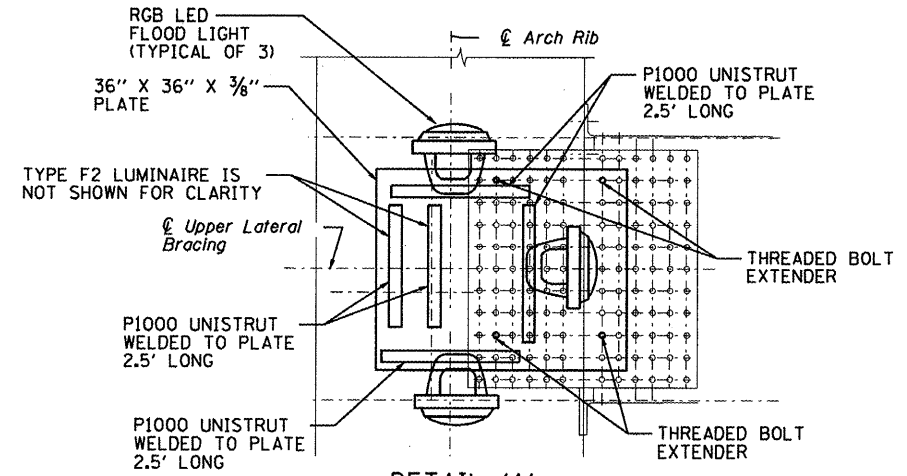
- NOTES:
1. TYPE F2 LUMINAIRE ARE NOT REQUIRED FOR ULB #3
  2. ATTACH CONDUIT AND J-BOXES INSIDE RIB WITH CONDUIT CLAMPS AT EVERY 5'-0" INTERVALS.
  3. REFER TO SHEET 118C FOR CONDUIT ENTRANCE DETAILS AND PIER ELEVATIONS
  4. REFER TO SHEET 118B FOR LED LIGHTING SCHEMATIC.

CONDUIT LEGEND	
①	1" GRS CONDUIT WITH 2 #10 XLP-USE, 1#10 GND. (OUTLETS)
②	1-1/2" GRS CONDUIT WITH 2 #6 XLP-USE, 1#8 GND. (ROADWAY LIGHTING)
③	1" GRS CONDUIT WITH 2 #10 XLP-USE 1#10 GND. (LED LIGHTING)

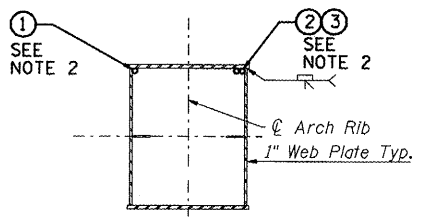
- LEGEND
- DUPLEX OUTLET
  - ★ LED FLOOD LIGHT (F1)
  - 400W METALHALIDE (F2) FLOOD LIGHT
  - CONDUIT AND CONDUCTOR STRUCTURE MOUNTED



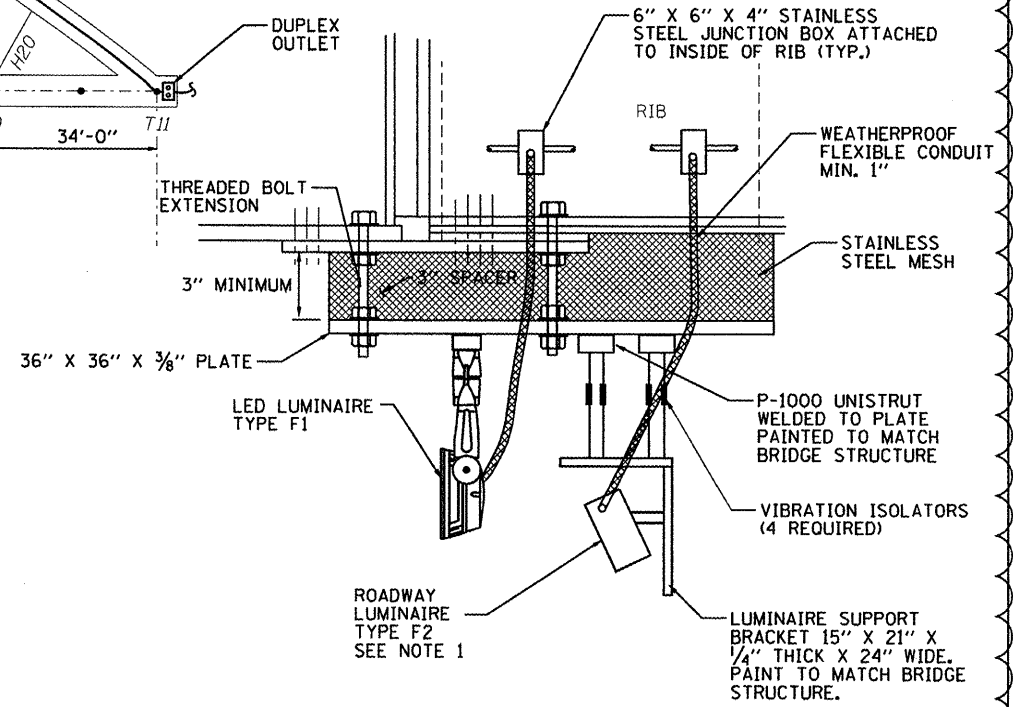
DETAIL 'A'



SECTION A-A



TYPICAL ROADWAY LUMINAIRE INSTALLATION DETAIL SECTION B-B



L:\PROJECTS\108262602\Drawings\CAADD\_Sheets\A-E\_Lighting\_Bridges.dwg

**CMT**  
CRAWFORD, MURPHY & TILLY, INC.  
CONSULTING ENGINEERS  
License No. 184-000613

USER NAME = Steve Prange	DESIGNED - SJP / MNB	REVISED - ADDENDUM 1
PLOT SCALE = 36.6667' / IN.	DRAWN - ERD	REVISED -
PLOT DATE = 02/04/11	CHECKED - SJP	REVISED -
	DATE - 02/04/2011	REVISED -

9-25-11  
**CITY OF ROCKFORD**  
**MORGAN STREET BRIDGE**

**SUPPLEMENTAL LIGHTING DETAILS - I**  
SCALE: N/A SHEET NO. 1 OF 3 SHEETS STA. N/A TO STA. N/A

F.A. RTE.	SECTION	COUNTY	TOTAL SHEETS	SHEET NO.
5077	99-00493-00-BR	WINNEBAGO	253	118A
			CONTRACT NO. 85529	
FED. ROAD DIST. NO. 2   ILLINOIS   FED. AID PROJECT BRM-5091651				