

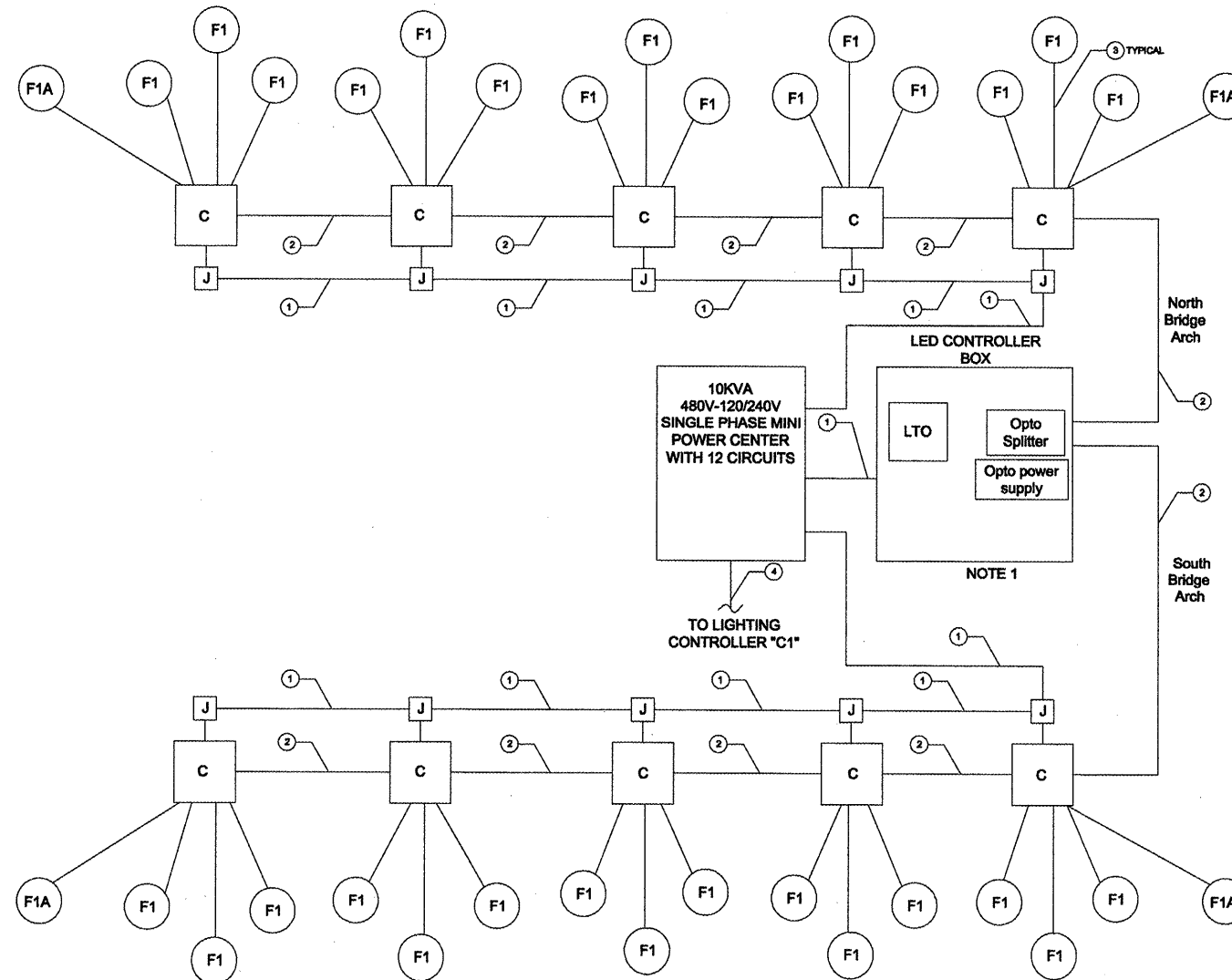
MINI-POWER CENTER SCHEDULE

PANEL DESIGNATION: MPC-1 BOND NEUTRAL AND GROUND BAR: YES POLE: 12
 LOCATION: WEST SIDE MORGAN ST. BRIDGE NEUTRAL BUS RATING: 100% SHORT CIRCUIT RATING: 10KA
 MFR & TYPE: C-H OR SQUARE "D" SERVICE ENTRANCE RATED: NO SERIES OR FULLY RATED: SERIES
 NEMA 3R TVSS & DISCONNECT REQUIRED: NO

VOLTS: 120/240 MOUNTING: SURFACE BUS RATING (AMPS): 100
 PHASE: 1 ENCL RATING: NEMA 3R BUS: COPPER OR ALUMINUM
 WIRE: 3 XFMR CAPACITY: 10 kVA MAIN CIRCUIT BREAKER: PRI 30/2; SEC 50/2

CKT NO.	LOAD	BREAKER SIZE	LOAD AMPS	USAGE FACTOR	PHASE AMPS		POLE NO.	PHASE AMPS		USAGE FACTOR	LOAD AMPS	BREAKER SIZE	LOAD	CKT NO.
					A	B		A	B					
1	LED LIGHTING NORTH SIDE	20/1	8	0.5	8		1	2	8	0.5	8	20/1	LED LIGHTING SOUTH SIDE	2
3	20A RECEPTACLE OUTLET NORTH SIDE	20/1	6	0.5		6	3	4		6	0.5	6	20A RECEPTACLE OUTLET SOUTH SIDE	4
5	SPARE	20/1	0	0			5	6		5	0.5	5	LED CONTROLLER	6
7	SPARE	20/1	0	0			7	8		0	8	20/1	SPARE	8
9	SPARE	20/1	0	0			9	10		0	0	20/1	SPARE	10
11	SPARE	20/1	0	0			11	12		0	0	20/1	SPARE	12
SECTION TOTAL:					6			13	6					

MINIMUM MAIN CIRCUIT BREAKER AMPS	17	PHASE TOTAL AMPS:	A: 21	B: 12	TOTAL USAGE LOAD:	3960 VA
		PHASE TOTAL VA:	A: 2520	B: 1440	MIN. XFMR VA:	4950 VA



NOTES:

- NOTES:
- 36"X24"X12"D NEMA 3R ENCLOSURE WITH EQUIPMENT MOUNTING PLATE, DIN RAILS AND HEATER BY HOFFMAN OR HAMMOND MANUFACTURING TO INCLUDE LED, OPTO SPLITTER AND HEATER.

LEGEND	
LABEL	DESCRIPTION
C	CBOX IN STAR CONFIGURATION
F1	LBL RGB LED 44W LUMINAIRE WITH 10' LEADS
F1A	LBL RGB LED 44W LUMINAIRE WITH 6 DEG BEAM W/ 30' LEADS
J	6"X6"X4" STAINLESS STEEL JUNCTION BOX

CONDUIT/WIRING SCHEDULE	
LABEL	DESCRIPTION
①	2 #10 XLP-USE, 1 #10 GND. IN 1" GRS CONDUIT
②	DATA CABLE DMX BELDEN 9729 IN 1" GRS CONDUIT
③	LED FIXTURE LEAD BY LED FIXTURE MANUFACTURER
④	2 #6 XLP-USE, 1 #8 GND. IN 1 1/2" PVC GRS CONDUIT

LED LIGHTING SCHEMATIC