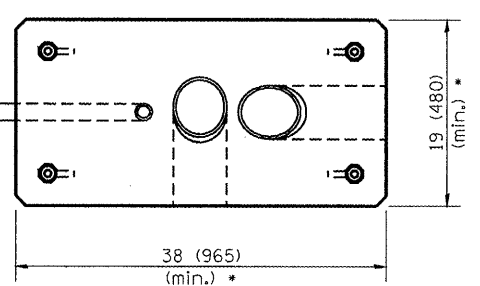


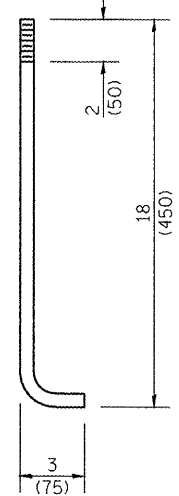
ELECTRIC SERVICE INSTALLATION

- Size larger as needed.
- Or as directed by Utility Company.
- When cold sequencing is required, provide a meter disconnect switch as directed by Utility Company.

LIGHTING CONTROLLER

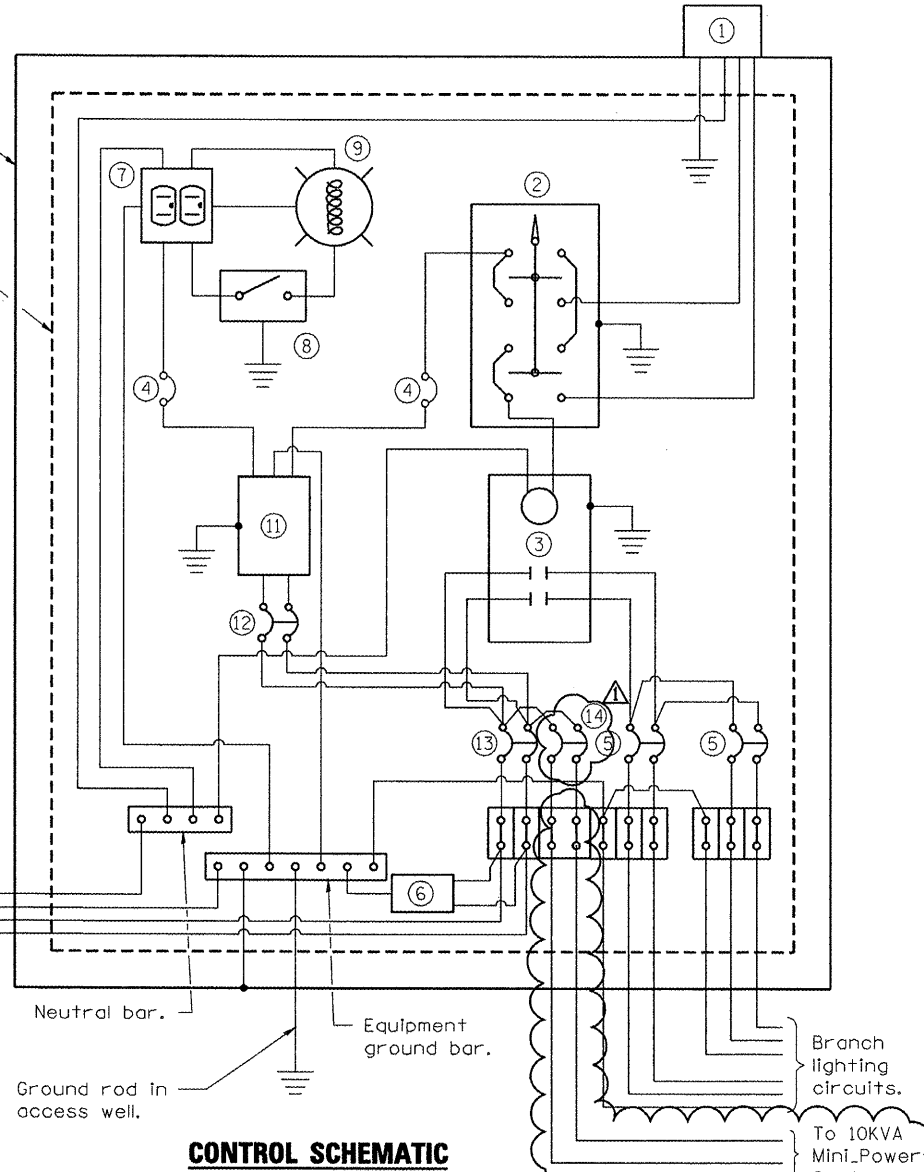
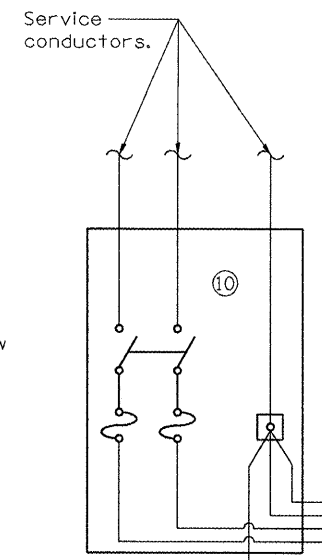


FOUNDATION (PLAN)
(Work pad not shown.)



ANCHOR ROD DETAIL

Controller enclosure, minimum dimensions: 50H x 36W x 17D • (1270 x 915 x 430)



CONTROL SCHEMATIC

- ① Photocell with integral surge arrester.
 - ② HAND-OFF-AUTO selector switch.
 - ③ 100 amp*, electrically held contactor.
 - ④ 15 amp, 1-pole circuit breaker.
 - ⑤ 20 amp*, 2-pole circuit breaker (two spares required but not shown).
 - ⑥ Surge arrester.
 - ⑦ GFCI duplex receptacle.
 - ⑧ Single-pole, single-throw switch.
 - ⑨ Incandescent luminaire, enclosed and gasketed with 100 watt lamp.
 - ⑩ Service disconnect switch - 2-pole, 3-wire, 100 amp*, fused at 100 amp*, solid neutral in NEMA 4X enclosure having lockable external handle.
 - ⑪ Transformer - 1KVA*, 480V primary, 120/240V secondary, single-phase, 60Hz.
 - ⑫ 15 amp, 2-pole circuit breaker.
 - ⑬ 100 amp*, 2-pole circuit breaker.
 - ⑭ 30 amp, 2-pole circuit breaker.
- * Size larger as needed.

**LIGHTING CONTROLLER
BASE MOUNTED, 480V**

STANDARD 825026-01

All dimensions are in inches (millimeters) unless otherwise shown.

L:\PROJECTS\825026\825026.dwg

CMT
CRAWFORD, MURPHY & TILLY, INC.
CONSULTING ENGINEERS
License No. 184-000613

USER NAME = Steve Prange	DESIGNED - SJP / MNB	REVISED - ADDENDUM 1	4-25-11
PLOT SCALE = 48.0000 / IN.	DRAWN - ERD	REVISED -	
PLOT DATE = 02/04/11	CHECKED - SJP	REVISED -	
	DATE - 02/04/2011	REVISED -	

**CITY OF ROCKFORD
MORGAN STREET BRIDGE**

ELECTRICAL DETAILS - 1

SCALE: N/A SHEET NO. 1 OF 8 SHEETS STA. TO STA.

F.A. RTE.	SECTION	COUNTY	TOTAL SHEETS	SHEET NO.
5077	99-00493-00-BR	WINNEBAGO	253	119
CONTRACT NO. 85529				
FED. ROAD DIST. NO. 2 ILLINOIS FED. AID PROJECT BRM-509965				