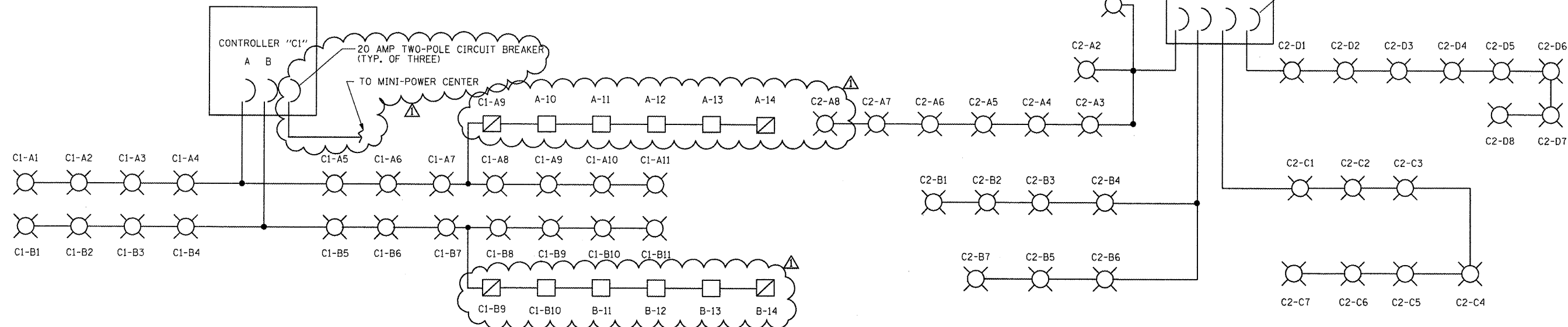


LEGEND:

- ⊗ TYPE A
- ⊗ TYPE B POLE MOUNTED LUMINAIRE
- ⊗ TYPE C
- TYPE F2 BRIDGE MOUNTED ROADWAY LUMINAIRE
- ▣ TYPE F3 WALL MOUNTED UNDERPASS LUMINAIRE

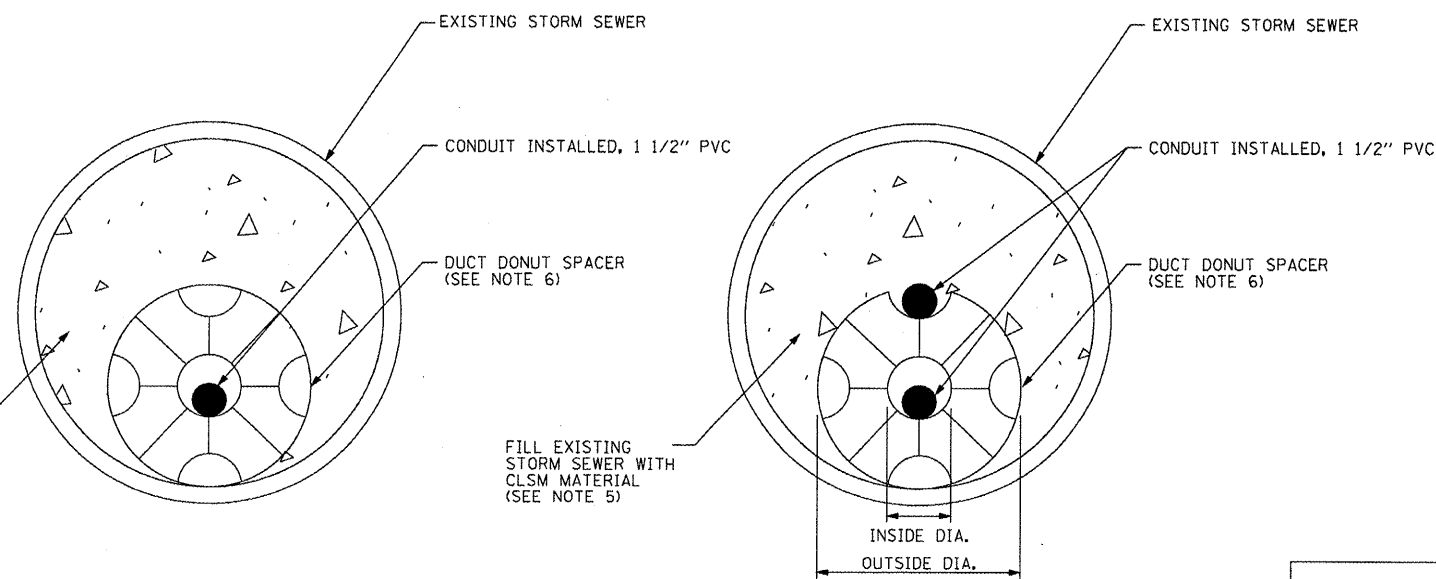


ROADWAY LIGHTING CONTROLLER "C1" ONE-LINE

ROADWAY LIGHTING CONTROLLER "C2" ONE-LINE

CIRCUIT #	AMPERES	WATTAGE
A	11.45	3300
B	13.8	4480

CIRCUIT #	AMPERES	WATTAGE
A	8.33	3200
B	6.25	2400
C	5.33	2050
D	6.77	2600



SINGLE CONDUIT ASSEMBLY

DOUBLE CONDUIT ASSEMBLY

CONDUIT INSTALLED, 1 1/2" PVC WITH SPACERS

NOTES:

- USE ONE DUCT SPACER FOR EVERY 5 FEET OF EXISTING STORM SEWER CASING.
- INSTALL DUCT SPACERS PERPENDICULAR TO CONDUITS TO REDUCE THE TENDENCY OF CONDUITS TO CORKSCREW.
- CONTRACTOR MUST COORDINATE WITH DUCT SPACER MANUFACTURER ON INSTALLATION MEANS TO PREVENT THE DUCTBANK FROM ROTATING DURING INSTALLATION. DUCT SPACERS MUST BE HELD IN PLACE WITH NON-METALLIC STRAPS AND HOLD DOWN BARS.
- THE DUCTBANK MUST BE HELD IN POSITION AT BOTH ENDS TO ACCOMMODATE POSSIBLE UNEVEN THRUST LOADS THAT MAY BE GENERATED DURING THE GROUTING OPERATION.
- THE COST FOR FILLING THE EXISTING STORM SEWER WITH CLSM SHALL BE INCLUDED IN THE CONTRACT UNIT COST FOR CONDUIT INSTALLED, 1 1/2" PVC.
- THE COST FOR DUCT DONUT SPACERS AND ANY ASSOCIATED STRAPS USED TO HOLD THE CONDUIT IN PLACE SHALL BE INCLUDED IN THE CONTRACT UNIT COST FOR CONDUIT INSTALLED, 1 1/2" PVC.

DUCT SIZE	INSIDE DIAMETER	OUTSIDE DIAMETER	THICKNESS
1 1/2"	2 3/4"	8 3/4"	1 1/4"

L:\PROJECTS\082626022\082626022-00-0000_Sheets\E_Lighting\Detail_08.dgn



USER NAME = Steve Prange	DESIGNED - SJP / MNB	REVISED - ADDENDUM 1
PLOT SCALE = 40,0000' / IN.	DRAWN - ERD	REVISED -
PLOT DATE = 02/04/11	CHECKED - SJP	REVISED -
	DATE - 02/04/2011	REVISED -

4-25-11
CITY OF ROCKFORD
MORGAN STREET BRIDGE

ELECTRICAL DETAILS - 2	
SCALE: N/A	SHEET NO. 2 OF 8 SHEETS STA. TO STA.

F.A. RTE. 5077	SECTION 99-00493-00-BR	COUNTY WINNEBAGO	TOTAL SHEETS 253	SHEET NO. 120
CONTRACT NO. 85529				
FED. ROAD DIST. NO. 2 [ILLINOIS] FED. AID PROJECT BRM-5099165				