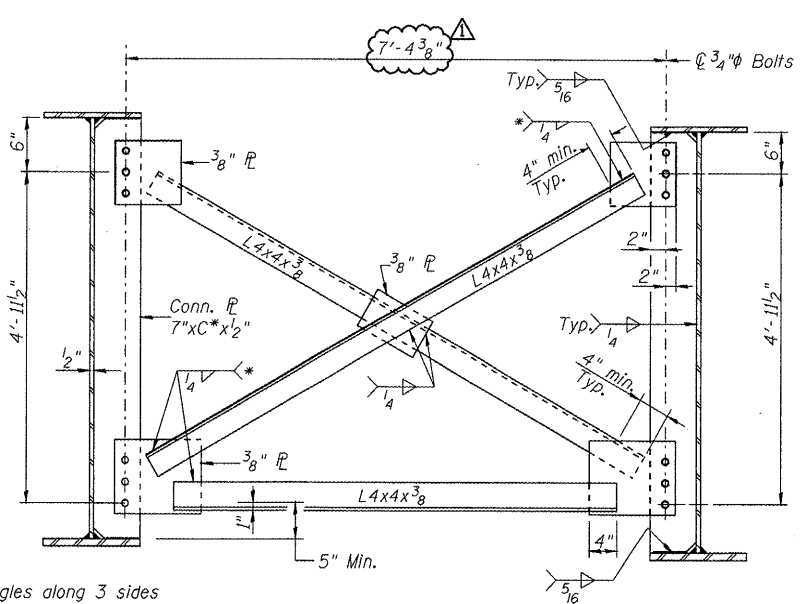
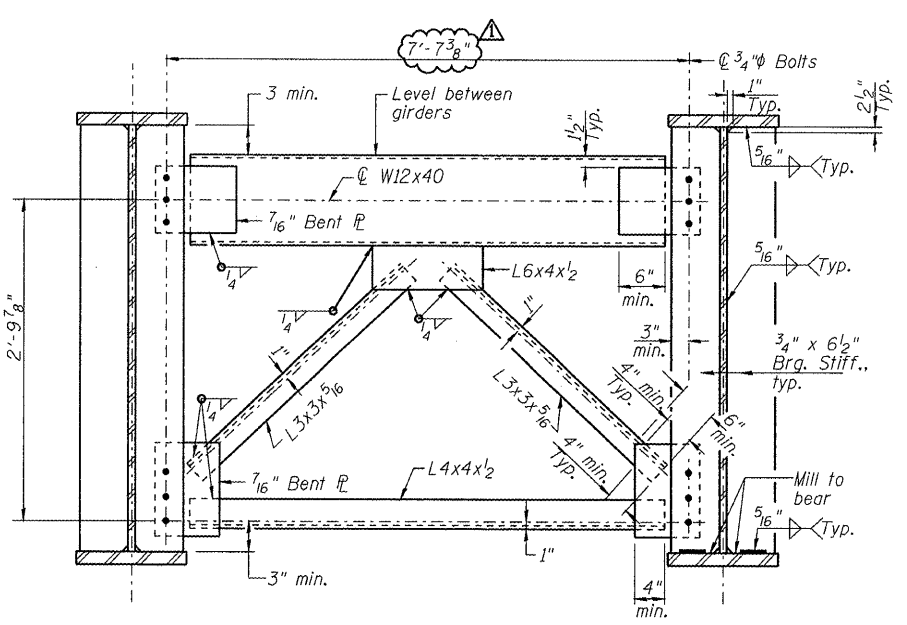


INTERIOR CROSS FRAME, CF1
(32 Required)



INTERIOR CROSS FRAME, CF2
(16 Required)

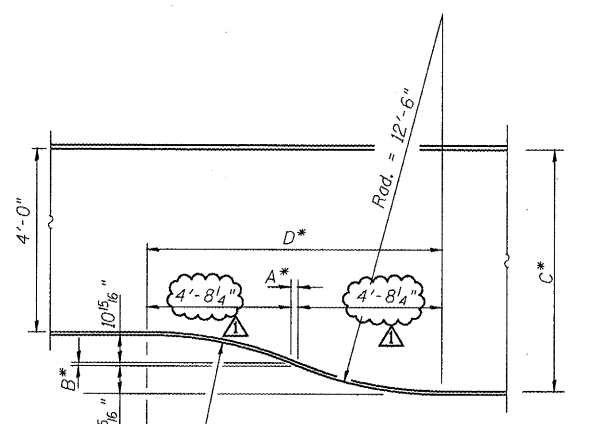
* Fillet weld angles along 3 sides on one face of gusset plate.



END CROSS FRAME, CF
(8 Required)

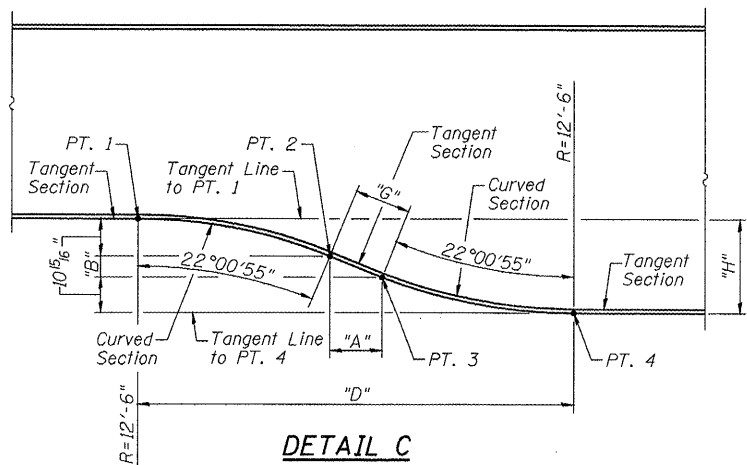
All cross frames shall be installed as steel is erected and secured with erection pins and bolts except as otherwise noted. Individual cross frames at supports may be temporarily disconnected to install bearing anchor rods.

Detail 1/16" diameter holes for all 3/4" diameter bolts.
Two hardened washers required for each set of oversized holes.

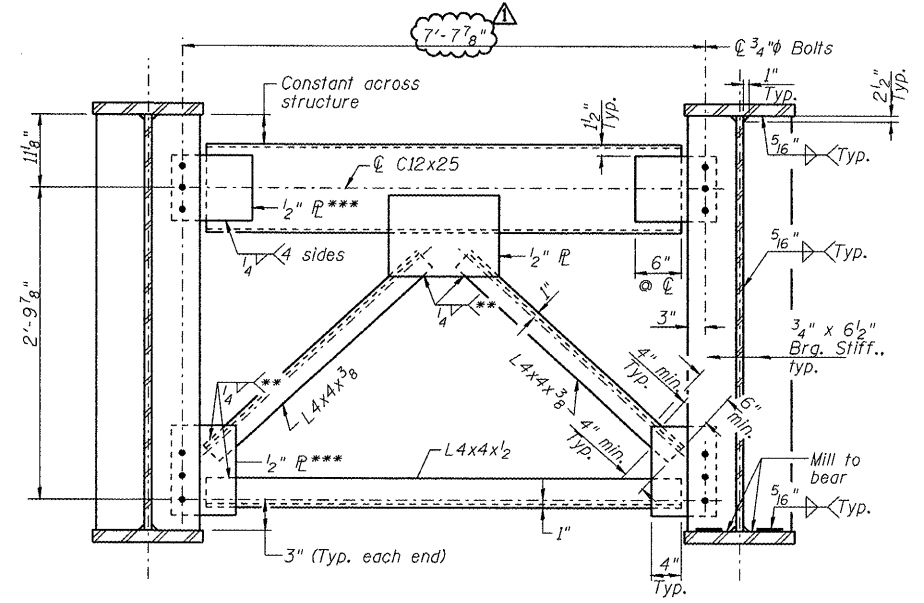


DETAIL B

* See Girder Transition Dimensions Table



DETAIL C



END CROSS FRAME, CF3
(8 Required)

** Weld on near side of 1/2" plate
*** 1/2" Plate to be bent

GIRDER DEPTH TRANSITION DIMENSIONS									
Girder	A	B	C	D	E	F	G	H	I
1	4"	1 3/8"	5'-11 1/2"	9'-8 1/2"	45'-4 1/8"	37'-0 1/4"	4 3/8"	1'-11 1/2"	56'-8 3/4"
2	9 1/8"	4"	6'-1 1/8"	10'-2 3/8"	44'-10 3/8"	37'-4 3/4"	10 1/16"	2'-1 1/8"	57'-7 1/8"
3	1'-6 1/4"	7 3/8"	6'-5 1/4"	10'-10 3/4"	44'-1 1/8"	37'-6 3/4"	1'-7 1/16"	2'-5 1/4"	58'-5 1/2"
4	2'-0 8/16"	9 3/4"	6'-7 3/8"	11'-4 3/8"	43'-8"	37'-11 1/4"	2'-2"	2'-7 3/8"	59'-3 1/8"
5	2'-1 1/16"	10 1/4"	6'-8 3/8"	11'-5 1/8"	43'-6 1/16"	38'-8 1/16"	2'-3 1/16"	2'-8 3/8"	60'-2 3/8"
6	1'-8 9/16"	8 5/16"	6'-6 3/16"	11'-1"	43'-11 9/16"	39'-11 1/16"	1'-10 1/8"	2'-6 3/16"	61'-0 3/4"
7	1'-3 3/8"	6 3/16"	6'-4 3/8"	10'-8 1/8"	44'-4 1/2"	41'-3"	1'-4 1/8"	2'-4 3/8"	61'-11 1/8"
8	8 1/2"	3 1/4"	6'-1 3/16"	10'-0 5/8"	45'-0"	42'-8 7/8"	8 3/4"	2'-1 3/16"	62'-9 1/2"
9	3 1/4"	1 5/8"	5'-11 3/16"	9'-7 3/4"	45'-4 1/8"	44'-0 1/4"	3 1/2"	1'-11 3/16"	63'-8"

L:\ROCKFORD\0826802\0-ev\CADD_Sheets\26A_Framing_Plan_Details_Approach_2.dgn

CMT
CRAWFORD, MURPHY & TILLY, INC.
CONSULTING ENGINEERS
License No. 184-000613

HNTB

DESIGNED - PA, JDI, BPD, CJW
DRAWN - GLD
CHECKED - RJK
DATE - 02/04/2011

REVISED - ADDENDUM 1
REVISED -
REVISED -
REVISED -

4-25-11
CITY OF ROCKFORD
MORGAN STREET BRIDGE

FRAMING PLAN & DETAILS - II - APPROACH SPANS
STRUCTURE NO. 101-6108

SCALE: SHEET NO. 25 OF 79 SHEETS STA. 47+00.74 TO STA. 52+63.50

F.A.U. RTE.	SECTION	COUNTY	TOTAL SHEETS	SHEET NO.
5077	99-00493-00-BR	WINNEBAGO	253	151
CONTRACT NO. 85529			FED. ROAD DIST. NO. 2 ILLINOIS FED. AID PROJECT BRM-509165	