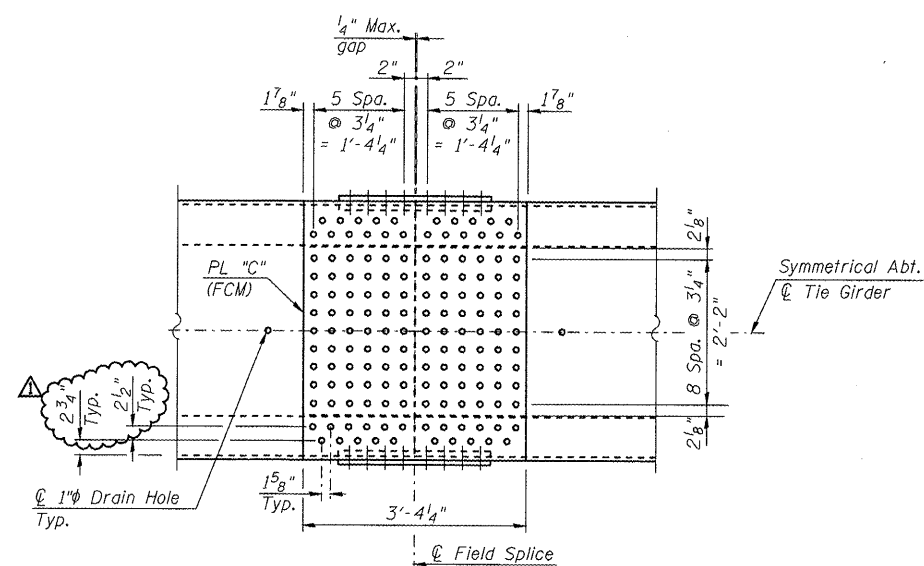
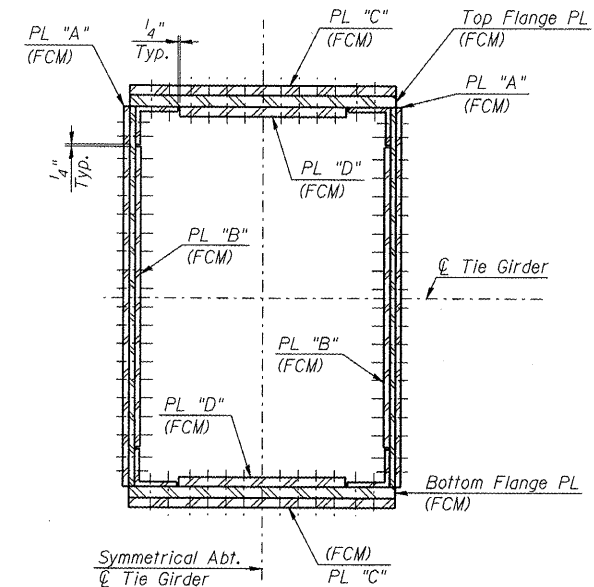


**TOP VIEW-TS2 TOP & BOTTOM FLANGE SPLICE**  
(TS5 Opposite Hand)

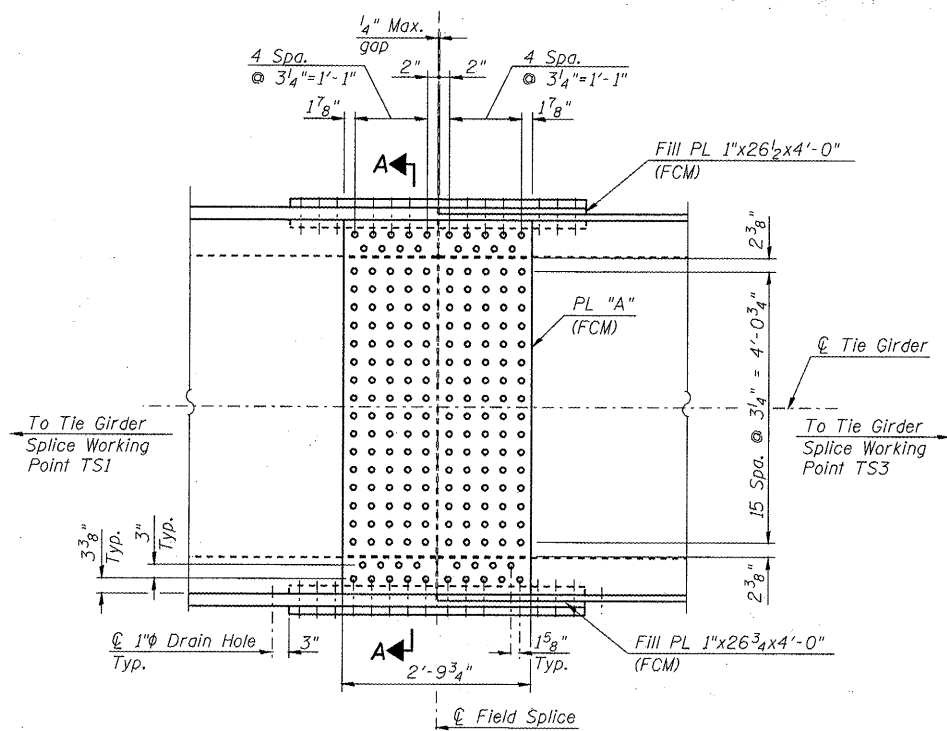


**TOP VIEW-TS3 TOP & BOTTOM FLANGE SPLICE**  
(TS4 Opposite Hand)

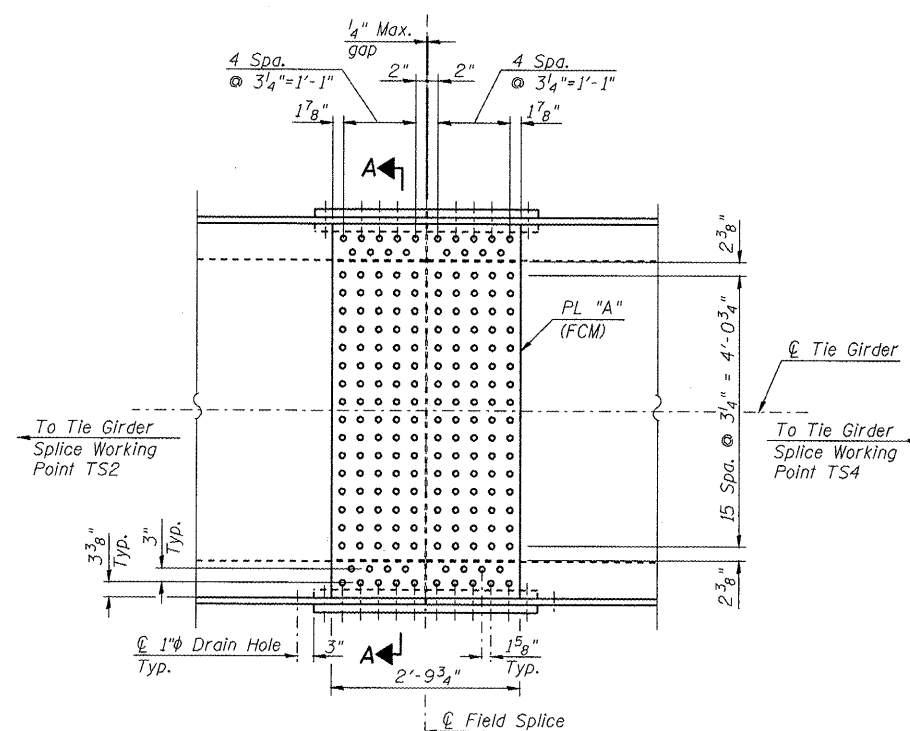


**SECTION A-A**

SPlice PLATE DIMENSIONS				
LOCATION	A	B	C	D
TS2, TS5	3/4 x 33 3/4 x 5'-10"	3/4 x 33 3/4 x 4'-5 1/2"	7/8 x 48 x 4'-5 1/4"	7/8 x 30 1/4 x 4'-5 1/4"
TS3, TS4	1/2 x 33 3/4 x 5'-10"	1/2 x 33 3/4 x 4'-5 1/2"	7/8 x 48 x 3'-4 1/4"	7/8 x 30 1/4 x 3'-4 1/4"



**TIE GIRDER SPLICE TS2 - WEB SPLICE**  
(TS5 Opposite Hand)



**TIE GIRDER SPLICE TS3 - WEB SPLICE**  
(TS4 Opposite Hand)

Notes:  
Fracture Critical Members (FCM) are delineated in the details on this sheet. Members called out as FCM shall be M270 Gr. 50W F3(FCM). These members and plates shall be clearly labeled on shop drawings.  
Bolts shall be 7/8" φ high-strength bolts.  
For Tie Girder Splices TS1 and TS6, see Sheet 44 of 79.  
For Tie Girder Details, see Sheets 41 thru 43 and 46 of 79.

L:\ROCKFORD\B262802\Drawn\CAAD\Sheets\A.45\_Tie Girder-Splice Details 2.dgn

**CMT**  
CRAWFORD, MURPHY & TILLY, INC.  
CONSULTING ENGINEERS  
License No. 184-000613

**HNTB**

DESIGNED - PA, JDJ, BPD, CJW  
DRAWN - GLD  
CHECKED - RJK  
DATE - 02/04/2011

REVISED - ADDENDUM 1  
REVISED -  
REVISED -  
REVISED -

4-25-11

**CITY OF ROCKFORD  
MORGAN STREET BRIDGE**

**TIE GIRDER SPLICE DETAILS - II  
STRUCTURE NO. 101-6108**

SCALE: SHEET NO. 45 OF 79 SHEETS STA. 47+00.74 TO STA. 52+63.50

F.A.U. RTE.	SECTION	COUNTY	TOTAL SHEETS	SHEET NO.
5077	99-00493-00-BR	WINNEBAGO	253	171
				CONTRACT NO. 85529
FED. ROAD DIST. NO. 2 [ILLINOIS] FED. AID PROJECT BRM-5099651				