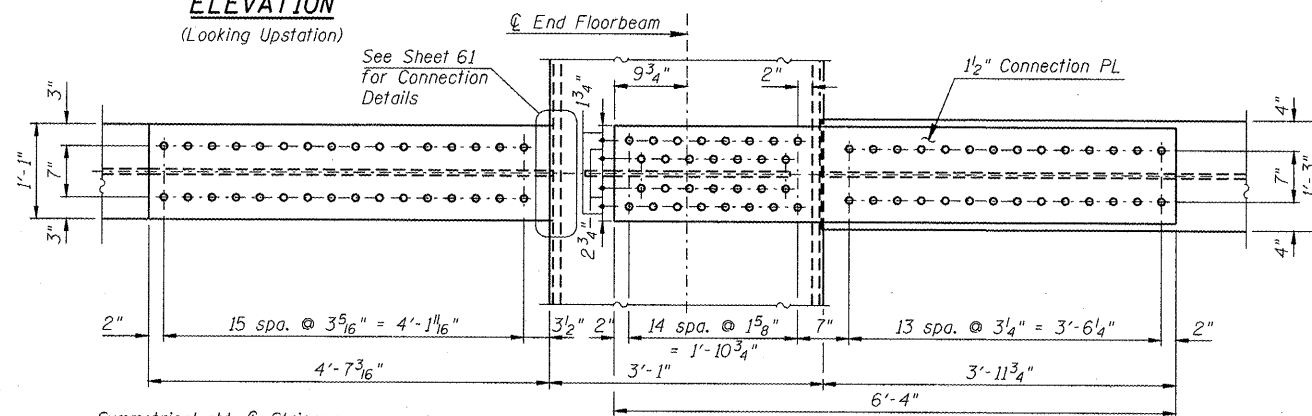
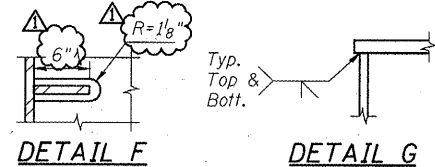
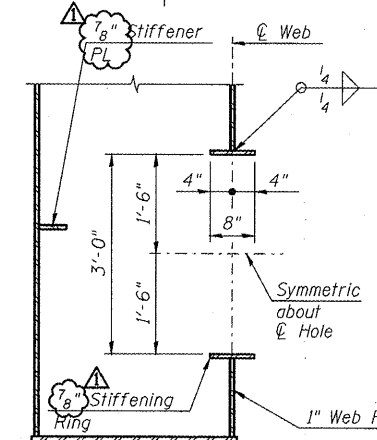


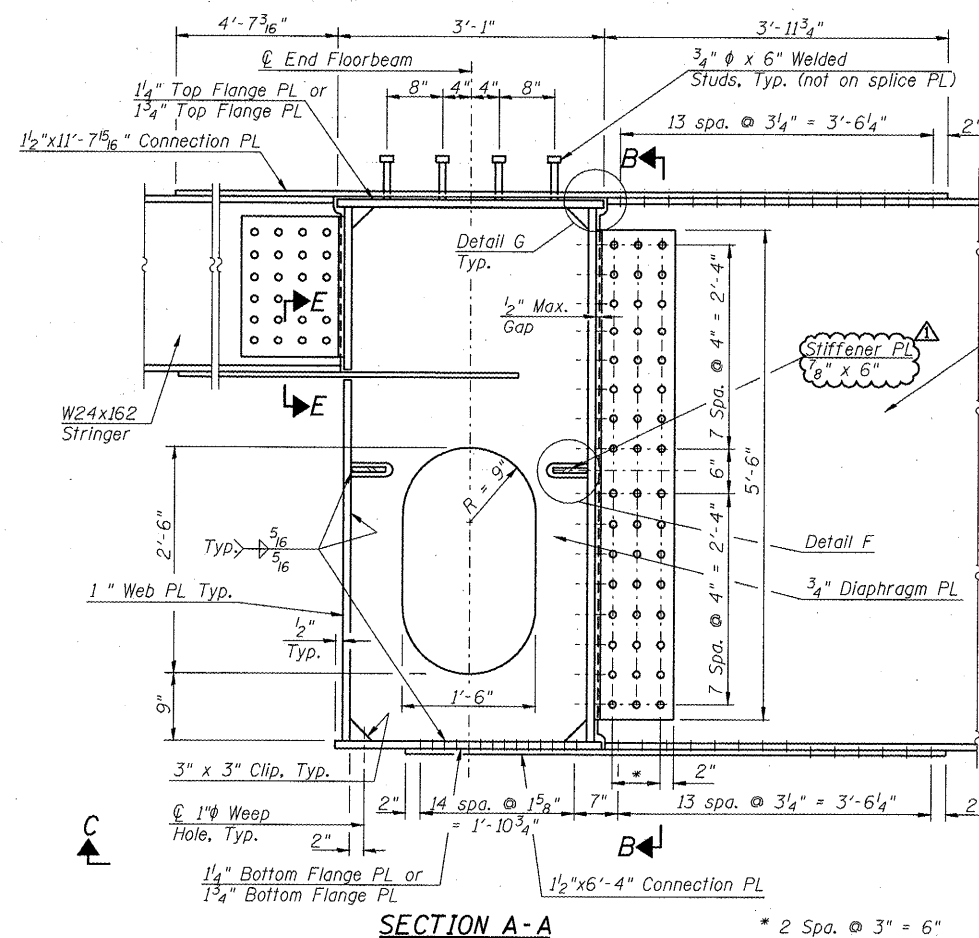
**ELEVATION**  
(Looking Upstation)



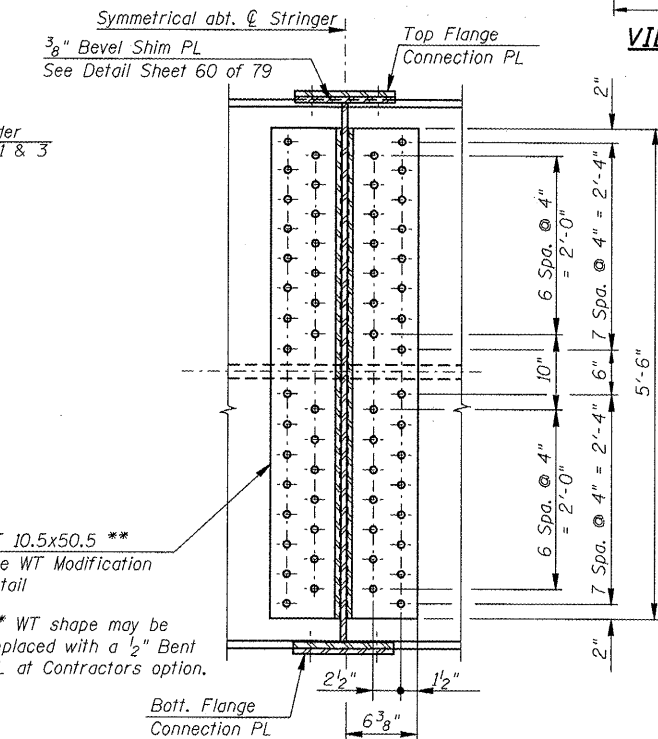
**VIEW C-C**



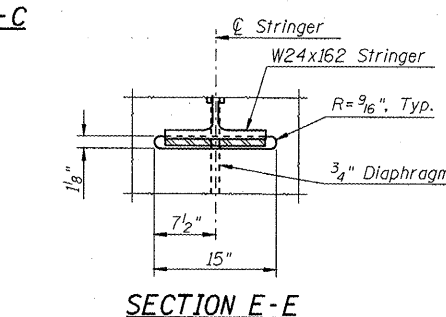
**SECTION D-D**



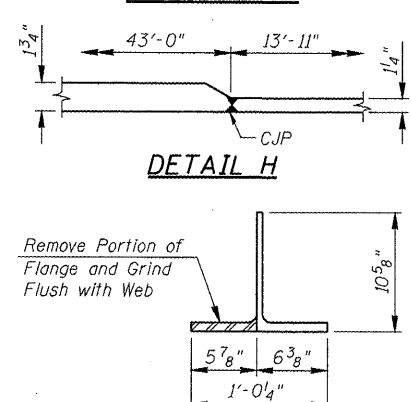
**SECTION A-A**



**SECTION B-B**



**SECTION E-E**



**DETAIL H**

**WT MODIFICATION DETAIL**

**Notes:**

- For Framing Plan, see Sheet 53 of 79.
- For Stringer Details, see Sheets 60 and 61 of 79.
- For Floorbeam Camber and Deflections, see Sheet 59 of 79.
- For Lower Lateral Bracing Details, see Sheet 62 of 79.
- For Access Door Details, see Sheet 55 of 79.
- Denotes 1" high strength bolt
- Web penetrations @ the Stringers shall be sealed with silicone upon the installation of the Stringer bottom flange connection plate.
- End Floorbeam flange and web plates, filler plates, stiffener plates, bent plates, and splice plates shall conform to the requirements of M270 Grade 50W T3.
- End floorbeam diaphragm plates shall conform to the requirements of M270 Grade 50W T3.
- For Approach Girder Details, see Sheet 24 and 25 of 79.
- For Splice Details, see Sheet 55.
- Cost of End Floorbeam Access Hardware including Fiberglass door shall be included in "Furnishing and Erecting Structural Steel".

**BILL OF MATERIAL**

| Item                  | Unit | Total |
|-----------------------|------|-------|
| Stud Shear Connectors | Each | 512   |

L:\ROCKFORD\0826802\00-REV\CADD\_Sheets\54\_End Floorbeam.dgn