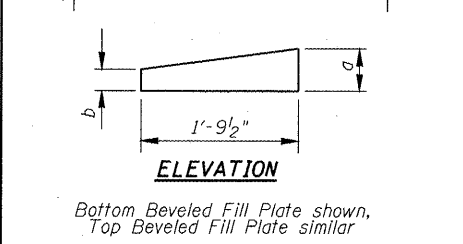
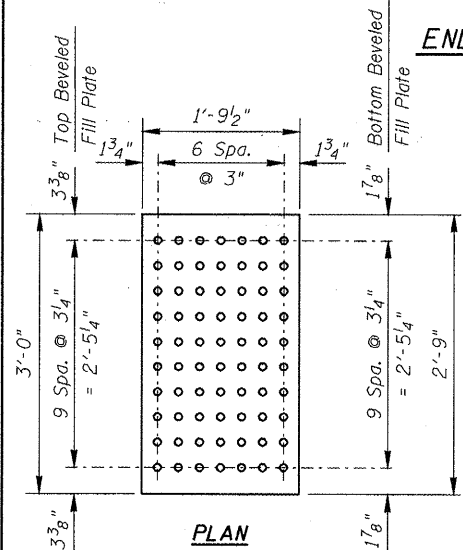


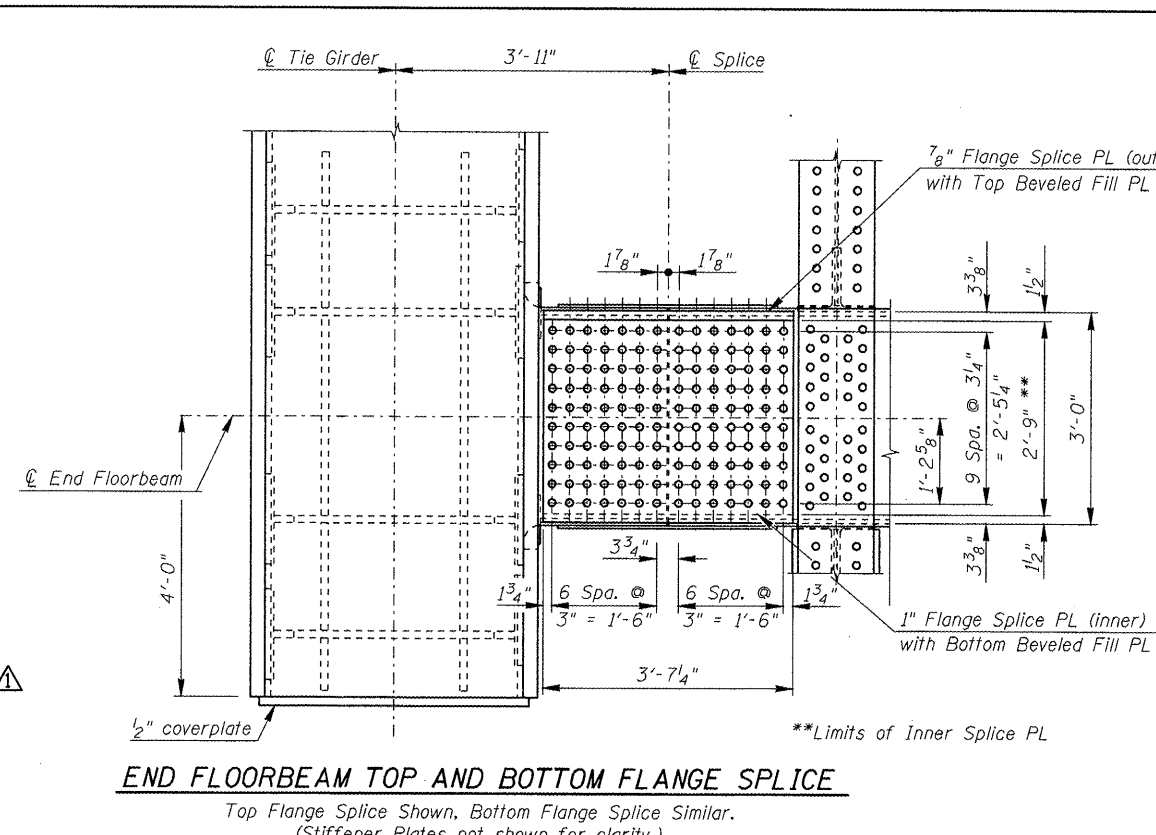
END FLOORBEAM - WEB SPLICE

FBO Shown, FBII similar



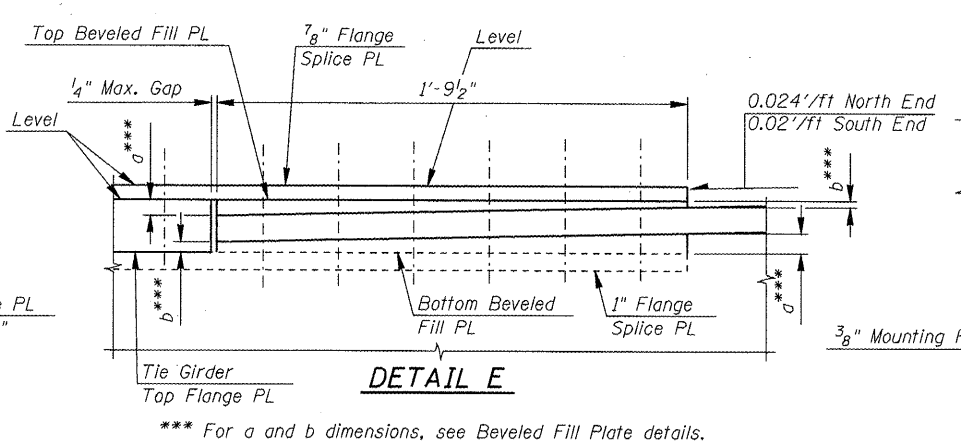
Top & Bottom Beveled Fill Plate	a	b
South	9/16"	3/16"
North	5/8"	1/8"

END FLOORBEAM TOP FLANGE SPLICE BEVELED FILL PLATES



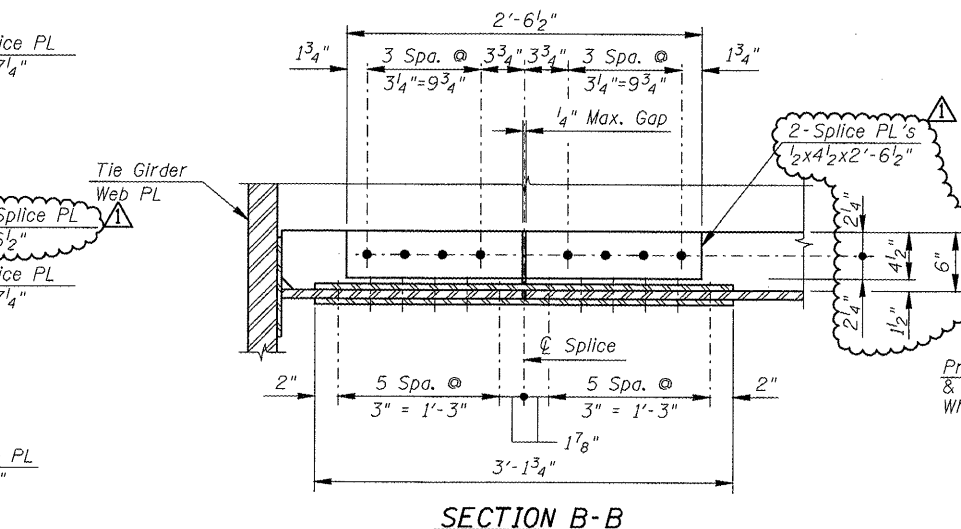
END FLOORBEAM TOP AND BOTTOM FLANGE SPLICE

Top Flange Splice Shown, Bottom Flange Splice Similar. (Stiffener Plates not shown for clarity.)

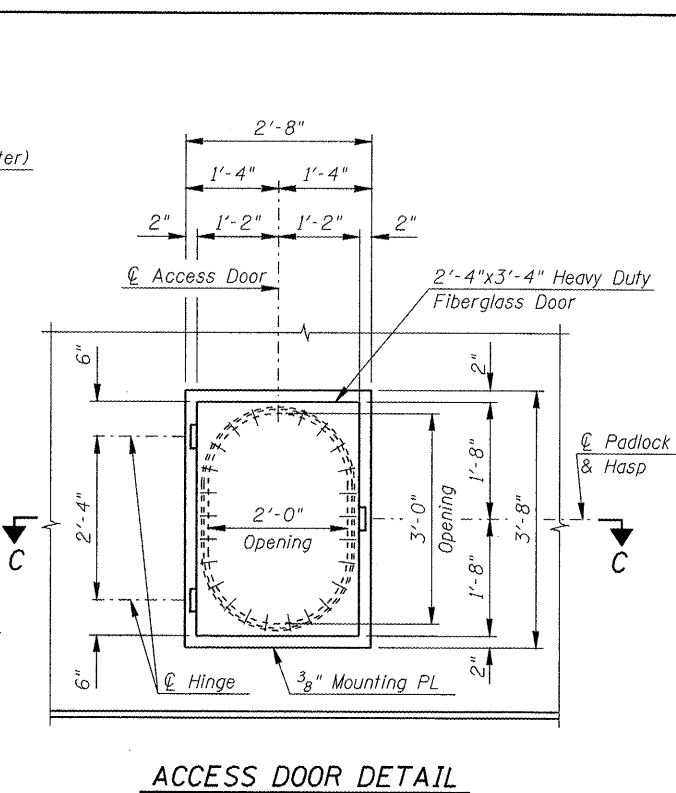


DETAIL E

*** For a and b dimensions, see Beveled Fill Plate details.

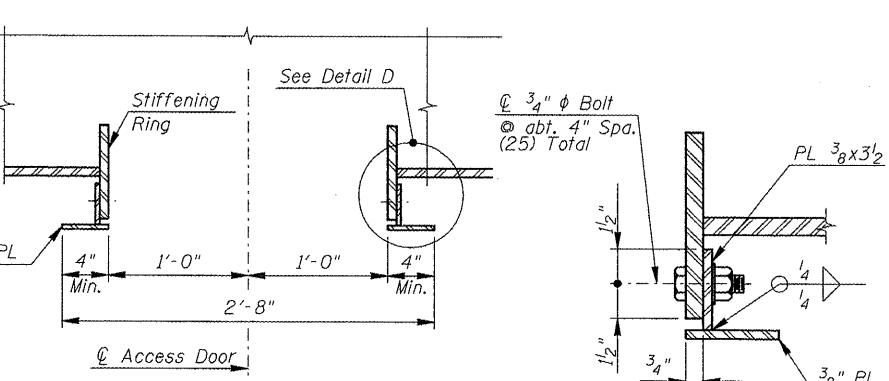


SECTION B-B



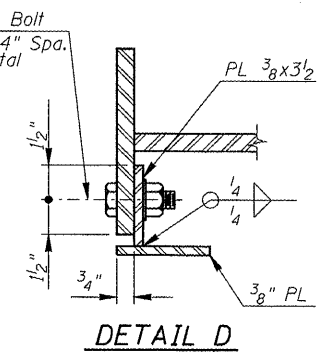
ACCESS DOOR DETAIL

Notes:
Install Fiberglass door per manufacturer's recommendations. Door shall be heavy duty and water tight. Fiberglass door shall be approved by the engineer.



SECTION C-C

Fiberglass Door not shown for clarity

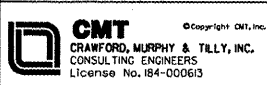


DETAIL D

Notes:
• Denotes 7/8" φ high-strength bolt.
○ Denotes 1" φ high-strength bolt.
For Stringer Details, see Sheets 60 and 61 of 79.
End Floorbeam flange and web plates, filler plates, stiffener plates, bent plates and splice plates shall conform to the requirements of M270 Grade 50W T3.
For End Floorbeam Elevation and Section Details, see Sheets 54 and 55 of 79.
For Tied Arch End Details, see Sheets 31 thru 33 of 79.

END FLOORBEAM INTERIOR PAINT DETAIL

L:\ROCKFORD\9826802-0-00\CADD_Sheets\55_End Floorbeam Details.dwg



DESIGNED - PA, J.D.J., B.P.D., C.J.W.	REVISED - ADDENDUM 1
DRAWN - GLD	REVISED -
CHECKED - RJK	REVISED -
DATE - 02/04/2011	REVISED -

4-25-11
**CITY OF ROCKFORD
MORGAN STREET BRIDGE**

**END FLOORBEAM DETAILS
STRUCTURE NO. 101-6108**
SCALE: SHEET NO. 55 OF 79 SHEETS STA. 47+00.74 TO STA. 52+63.50

F.A.U. RTE.	SECTION	COUNTY	TOTAL SHEETS	SHEET NO.
5077	99-00493-00-BR	WINNEBAGO	253	181
CONTRACT NO. 85529				
FED. ROAD DIST. NO. 2 ILLINOIS FED. AID PROJECT BRM-5091651				