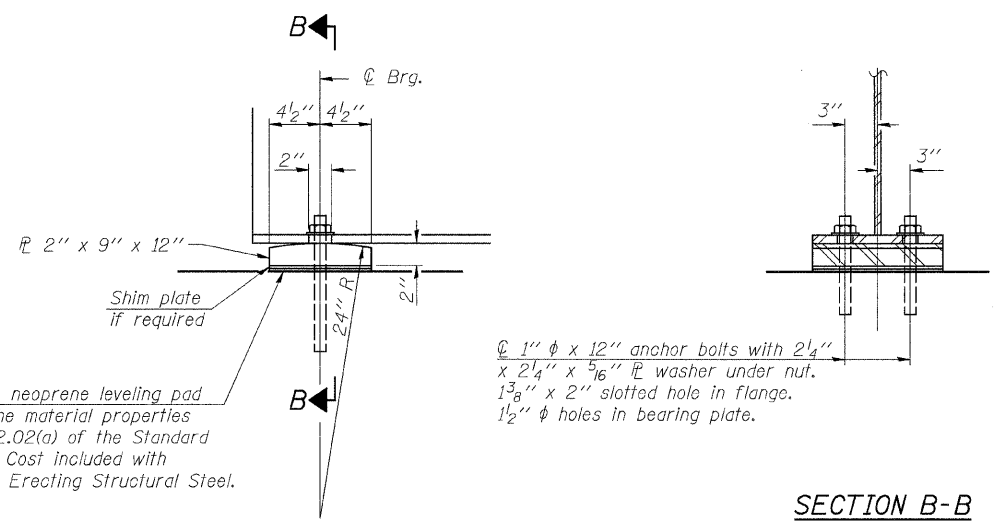
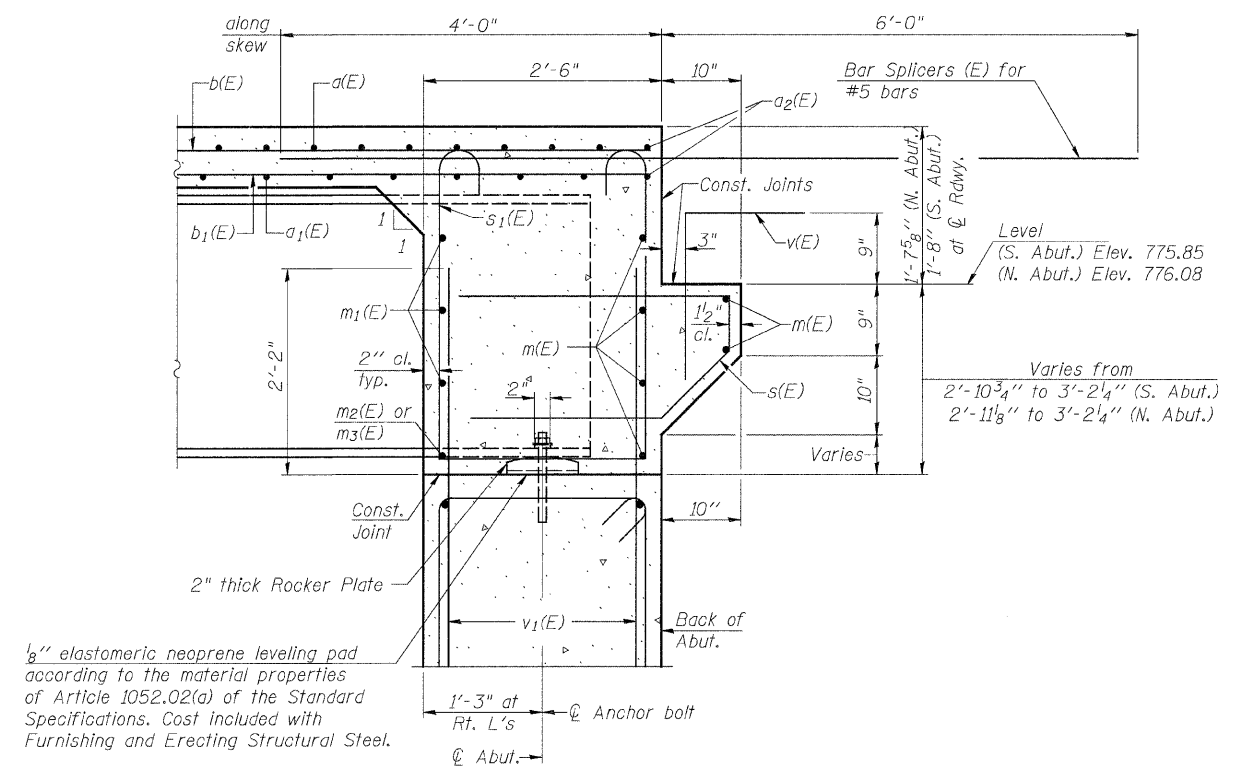


DIAPHRAGM ELEVATION AT ABUTMENT



ELEVATION AT ABUTMENT

FIXED BEARING



SECTION A-A

Dimensions at right angles to abutment, except as shown.

NOTES:

- Reinforcement bars in diaphragm are billed with superstructure on Structural Sheet 7 of 17. Concrete in diaphragm is included with Concrete Superstructure on Structural Sheet 7 of 17. For details of bars s(E) & s1(E) see Structural Sheet 7 of 17.
- The s(E) and s1(E) bars shall be placed parallel to the beams. Spacing for these bars shall be at right angles to the beams.
- Anchor bolts shall be ASTM F1554 all-thread (or an Engineer-approved alternate material) of the grade(s) and diameter(s) specified. ASTM A307 Grade C anchor bolts may be used in lieu of ASTM F1554 Grade 36 (Fy=36 ksi). The corresponding specified grade of AASHTO M314 anchor bolts may be used in lieu of ASTM F1554.
- Anchor bolts at fixed bearings may be either cast in place or installed in holes drilled after the supported member is in place.
- Drilled and set anchor bolts shall be installed according to Article 521.06 of the Standard Specifications.

| MIN. BAR LAPS | |
|---------------|--------|
| BAR | LAP |
| #4 | 2'-7" |
| #5 | 3'-3" |
| #6 | 3'-10" |
| #7 | 5'-2" |
| #8 | 6'-9" |

FILE NAME = S:\PROJECTS\2010\051010\Bureau\CH11\DESIGN\STRUCT\Drawings\1051010\Diaph-egm.dgn

| | | |
|--------------|--------------------------|-----------|
| USER NAME = | DESIGNED - M. C. WAGNER | REVISED - |
| PLOT SCALE = | CHECKED - B. K. CONVERSE | REVISED - |
| PLOT DATE = | DRAWN - F. D. LACHAT | REVISED - |
| | CHECKED - M. A. CACKLEY | REVISED - |

BUREAU COUNTY
F.A.S. 184 (C.H. 11) OVER BIG BUREAU CREEK
STATION 59 + 75

INTEGRAL ABUTMENT DIAPHRAGM DETAILS
STRUCTURE NO. 006-3032
 STRUCTURAL SHEET NO. 8 OF 17 SHEETS

| | | | | |
|--|----------------|--------|--------------------|-----------|
| F.A.S. RTE. | SECTION | COUNTY | TOTAL SHEETS | SHEET NO. |
| 184 | 08-00211-00-BR | BUREAU | 31 | 17 |
| | WHA# 1051010 | | CONTRACT NO. 87462 | |
| ILLINOIS FED. AID PROJECT BRS-0184(07) | | | | |