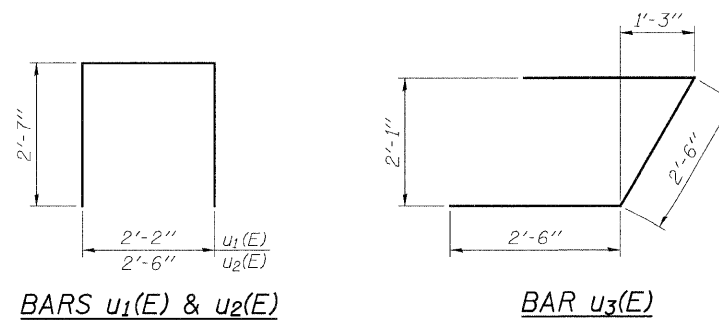


BILL OF MATERIAL

Bar	No.	Size	Length	Shape	
p(E)	10	#7	34'-3"	—	
u ₁ (E)	64	#4	7'-4"	U	
u ₂ (E)	4	#4	7'-8"	U	
u ₃ (E)	8	#6	7'-6"	∟	
v ₁ (E)	65	#5	4'-4"	—	
Concrete Structures				Cu. Yd.	11.2
Reinforcement Bars, Epoxy Coated				Pound	1,420
Furnishing Metal Shell Piles 12" x 0.250"				Foot	287
Driving Piles				Foot	287
Test Pile Metal Shells				Each	1
* Geocomposite Wall Drain				Sq. Yd.	29
* Porous Granular Embankment, Special				Ton	313

PILE DATA

Type: Metal Shell 12" ϕ x 0.250" walls
 Nominal Required Bearing: 243 kips
 Factored Resistance Available: 134 kips
 Est. Length: 41'
 No. Production Piles: 7
 No. Test Piles: 1



NOTES:

- * See Structural Sheet 2 of 17 for drainage details.
- All exposed edges shall have standard $\frac{3}{4}$ " chamfers, except as noted.
- Space reinforcement in cap to miss anchor bolts.
- Pour steps monolithically with cap.
- Contractor shall burn hole in sheeting for u(E), u₁(E) & u₂(E) bar placement. Cost incidental to Reinforcement Bars, Epoxy Coated.
- For pile details, see Structural Sheet 16 of 17.
- For hatched area details, see Structural Sheet 11 of 17.

FILE NAME = S:\PROJECTS\2010\1051010_Bureau\CH11\DESIGN\STRUCT\Drawings\1051010SouthAbutment.dgn

USER NAME =	DESIGNED - M. C. WAGNER	REVISED -
PLOT SCALE =	CHECKED - B. K. CONVERSE	REVISED -
PLOT DATE =	DRAWN - F. D. LACHAT	REVISED -
	CHECKED - M. A. CACKLEY	REVISED -

BUREAU COUNTY
F.A.S. 184 (C.H. 11) OVER BIG BUREAU CREEK
STATION 59 + 75

SOUTH ABUTMENT DETAILS
STRUCTURE NO. 006-3032

STRUCTURAL SHEET NO. 10 OF 17 SHEETS

F.A.S. RTE.	SECTION	COUNTY	TOTAL SHEETS	SHEET NO.
184	08-00211-00-BR	BUREAU	31	19
	WHA# 1051010		CONTRACT NO. 87462	
ILLINOIS FED. AID PROJECT BR5-0184(107)				