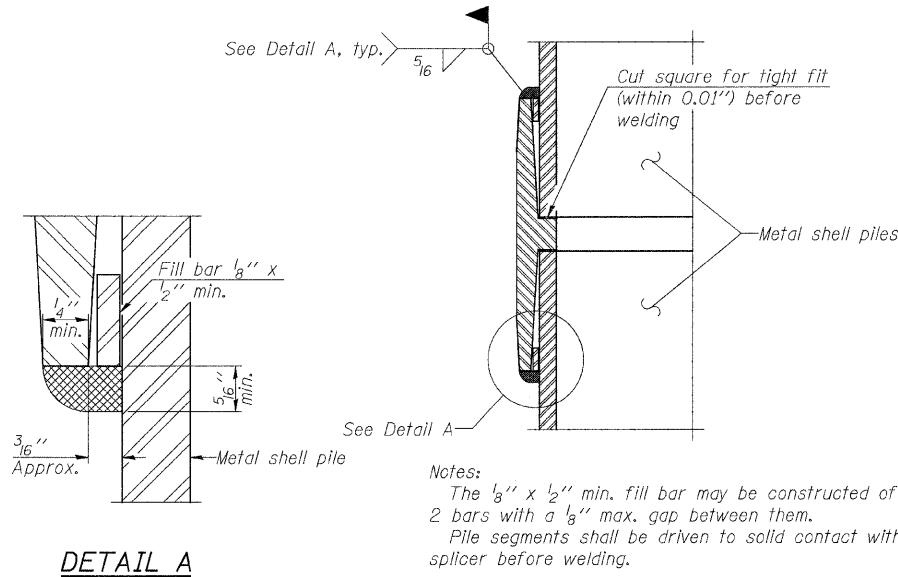


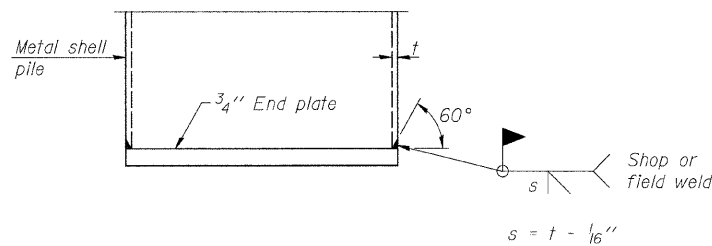
**METAL SHELL PILE TABLE**

Designation and outside diameter	Wall thickness t	Weight per Foot (Lbs./ft.)	Inside volume (yd.3 /ft.)
PP12	0.179"	22.60	0.0274
PP12	0.250"	31.37	0.0267
PP14	0.250"	36.71	0.0368
PP14	0.312"	45.61	0.0361

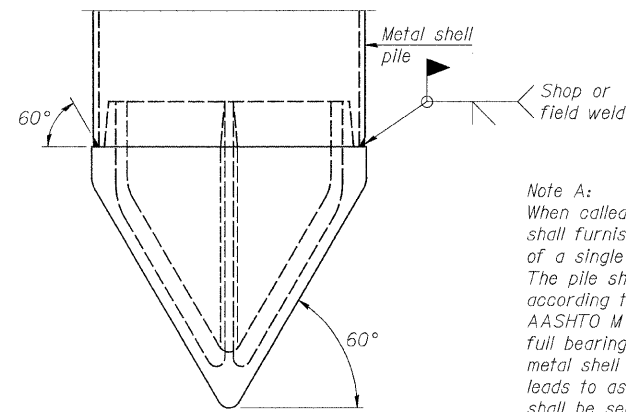


**DETAIL A**

**WELDED COMMERCIAL SPLICE**



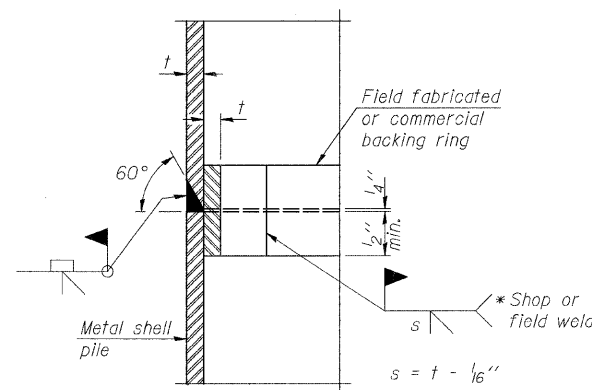
**END PLATE ATTACHMENT**



Note A:  
When called for on the plans, the Contractor shall furnish metal shell pile shoes consisting of a single piece conical pile point as shown. The pile shoes shall be cast in one piece steel according to either ASTM A 148 Grade 90-60 or AASHTO M 103 Grade 65-35 and shall provide full bearing over the full circumference of the metal shell pile. The pile shoe shall have tapered leads to assure proper alignment and fitting and shall be secured to the pile with a circumferential weld.

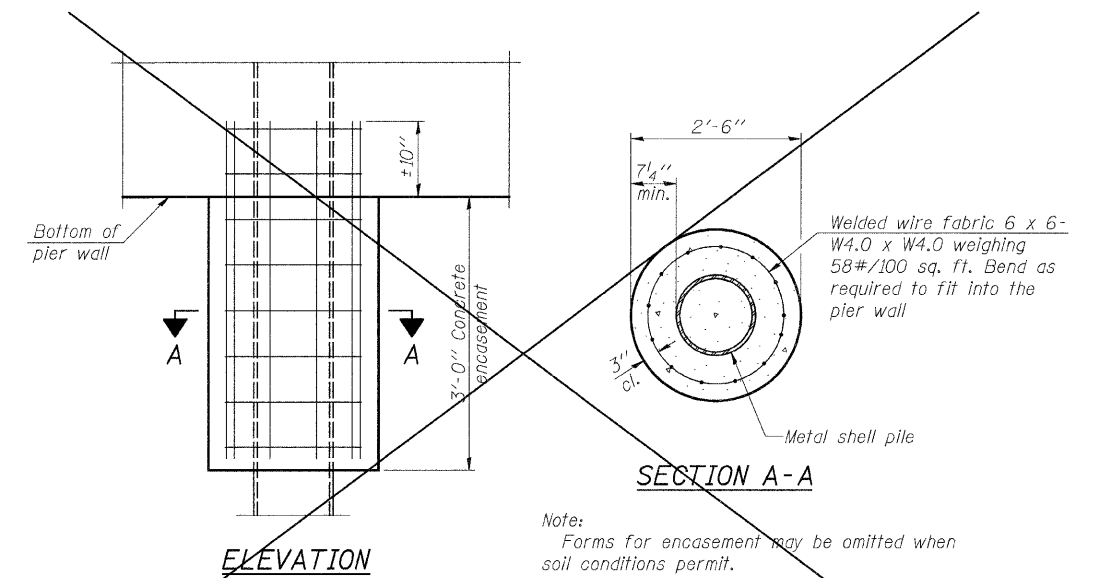
**METAL SHELL PILE SHOE ATTACHMENT**

(See Note A)



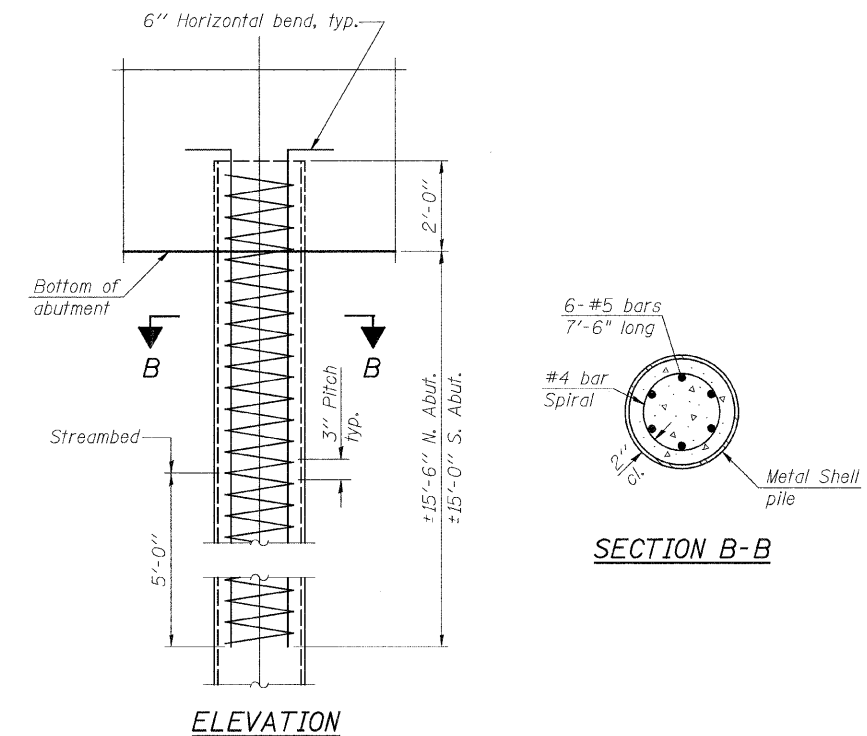
**COMPLETE PENETRATION WELD SPLICE**

\* Field fabricated backing ring may be made from pile shell by removing segment to allow reducing circumference and vertically rejoin with partial joint penetration weld.



**ELEVATION**

**CONCRETE ENCASEMENT AT PIERS**



**ELEVATION**

**METAL SHELL REINFORCEMENT AT ABUTMENTS**

Note:  
The metal shell piles shall be according to ASTM A 252 Grade 3.

FILE NAME = S:\PROJECTS\2010\0810\DESIGN\STRUCT\Drawings\Bureau\CH1\MetalShell\16.dgn

USER NAME =	DESIGNED - M. C. WAGNER	REVISED -
PLOT SCALE =	CHECKED - B. K. CONVERSE	REVISED -
PLOT DATE =	DRAWN - F. D. LACHAT	REVISED -
	CHECKED - M. A. CACKLEY	REVISED -

**BUREAU COUNTY**  
**F.A.S. 184 (C.H. 11) OVER BIG BUREAU CREEK**  
**STATION 59 + 75**

**METAL SHELL PILE DETAILS**  
**STRUCTURE NO. 006-3032**

STRUCTURAL SHEET NO. 16 OF 17 SHEETS

F.A.S. RTE.	SECTION	COUNTY	TOTAL SHEETS	SHEET NO.
184	08-00211-00-BR	BUREAU	31	25
	WHA# 1051D10		CONTRACT NO. 87462	
ILLINOIS FED. AID PROJECT BR5-0184107				