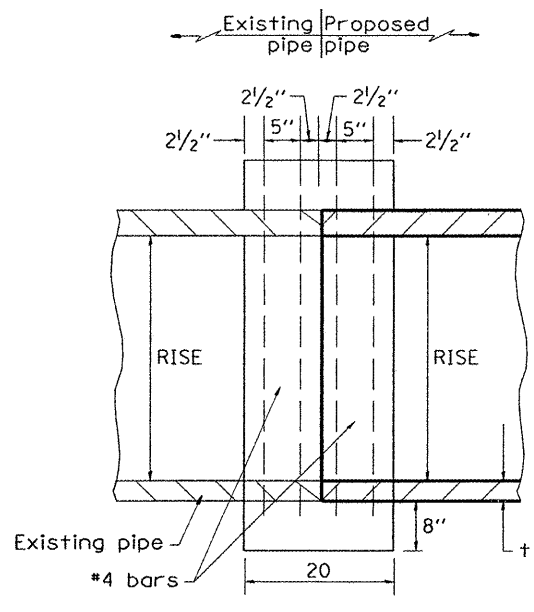


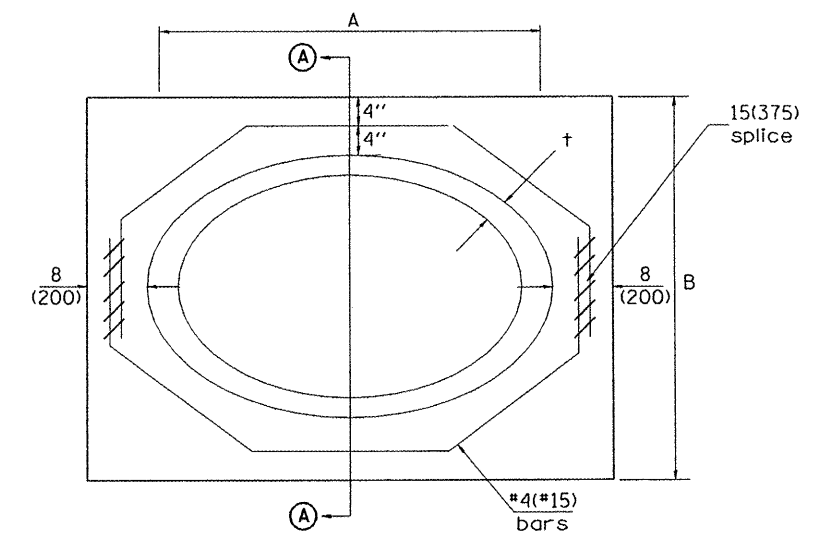
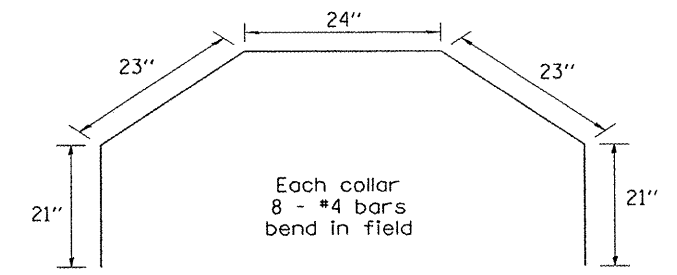
END VIEW
ROUND PIPE



SECTION A - A

GENERAL NOTES

1. THE COLLAR SHALL BE CONSTRUCTED ENTIRELY OF CLASS SI CONCRETE IN ACCORDANCE WITH THE APPLICABLE PORTIONS OF SECTION 503 OF THE STANDARD SPECIFICATIONS. REINFORCEMENT BARS SHALL CONFORM TO SECTION 508.



END VIEW
ELLIPTICAL PIPE

RISE in	SPAN in	t in	A ft	B ft	Each Collar		
					CL. SI CONC. cu. yd.	L ft	Weight lb
29	45	4.5	5' - 10"	4' - 6"	0.9	9.33	50
24	24	3.0	3' - 10"	3' - 10"	0.6	6.51	35