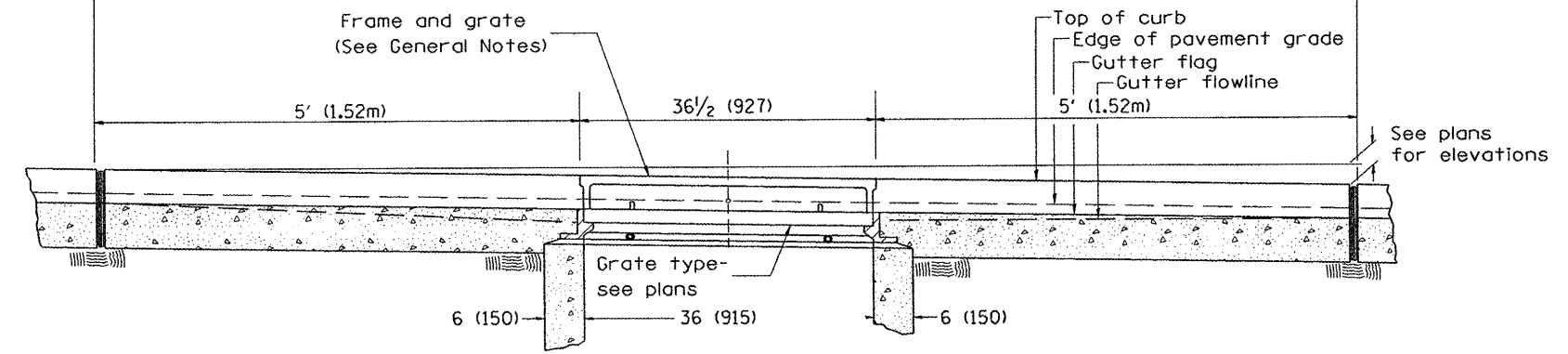
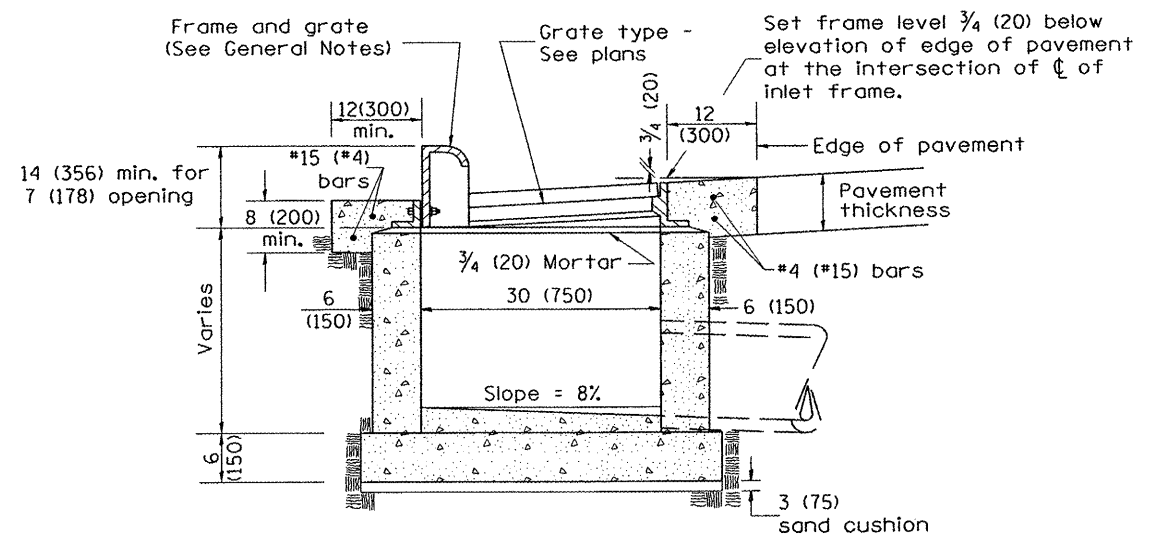


PLAN



ELEVATION (FRONT)



ELEVATION (SIDE)

GENERAL NOTES

1. Inlet construction shall be in accordance with Section 602 of the Standard Specifications.
2. Combination Concrete Curb and Gutter shall be constructed in accordance with Section 606 of the Standard Specifications.
3. See District CADD Standard 604001-D4 for frame and grates.

All dimensions are in inches (millimeters) unless otherwise noted.

FILE NAME =	USER NAME = rbradle	DESIGNED - BAB/RAW	REVISED -
S:\237\2010\23710006 (Centennial Drive Segment I)\PHI\CADD\CADD Sheets\0489481-sht-detail	DRAWN - BAB	CHECKED - RMB	REVISED -
	PLOT SCALE = 100.0000' / IN.	DATE - 03/02/2011	REVISED -
	PLOT DATE = 3/15/2011		



CENTENNIAL DRIVE PHASE IV				
INLETS, TYPE G-1				
SCALE:	SHEET NO.	OF SHEETS	STA.	TO STA.

F.A.U. RTE.:	SECTION	COUNTY	TOTAL SHEETS	SHEET NO.
6745	07-00130-03-PV	TAZEWELL	39	22
CONTRACT NO. 89481				
ILLINOIS FED. AID PROJECT				