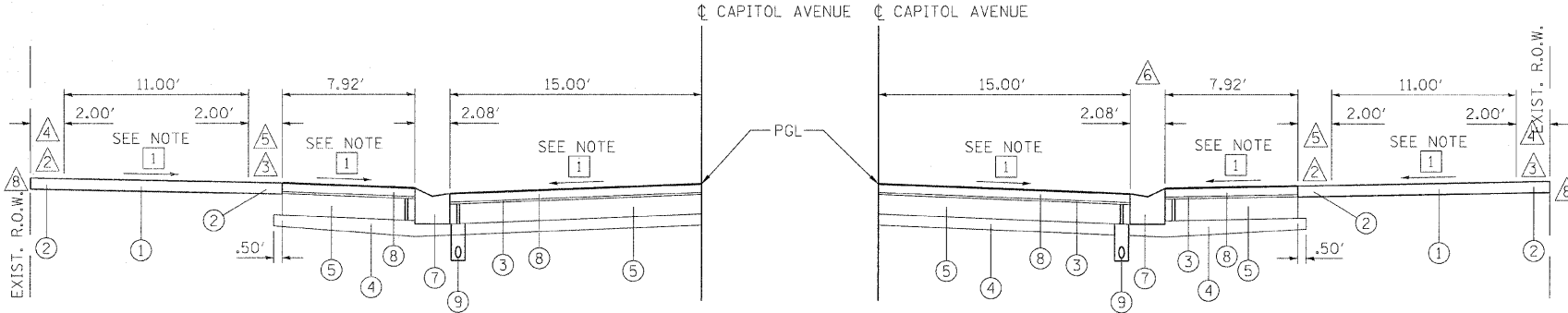
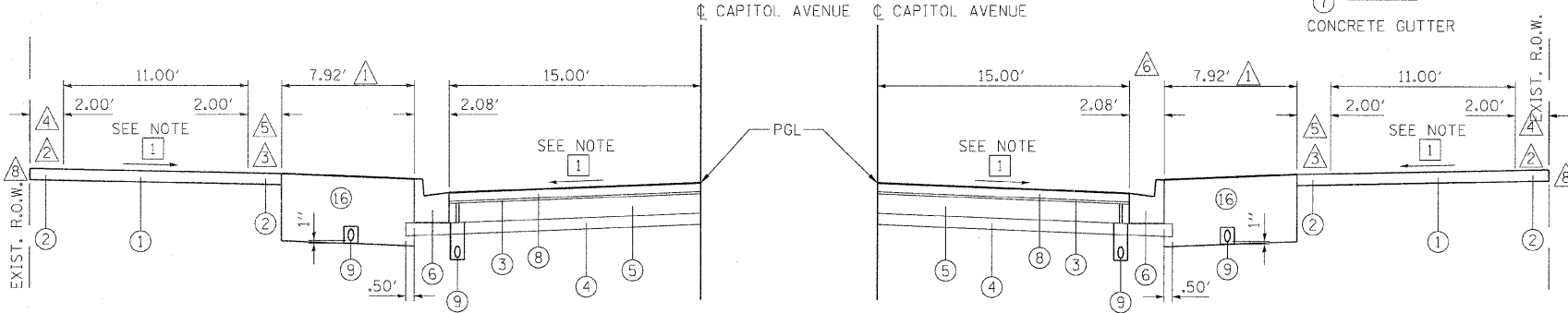


F.A.U. RTE.	SECTION	COUNTY	TOTAL SHEETS	SHEET NO.
7982		SANGAMON	63	17
STA.		TO STA.		
FED. ROAD DIST. NO.		ILLINOIS	FED. AID PROJECT	
10-00447-04-PV		CITY OF SPRINGFIELD		



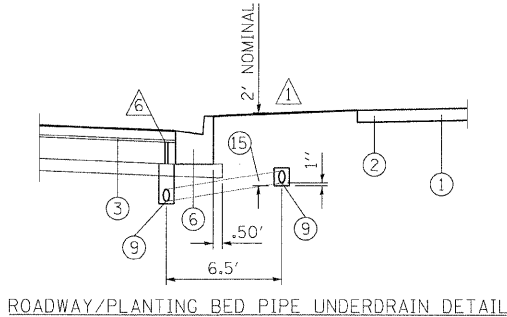
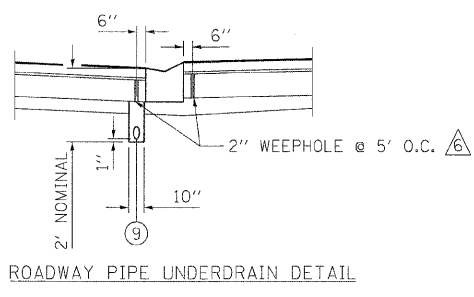
CAPITOL AVENUE DEPRESSED CURB SECTION
SEE ROADWAY PLANS FOR LOCATIONS

1 SEE CROSS SECTIONS SHEETS FOR INFORMATION



CAPITOL AVENUE RAISED CURB SECTION
SEE ROADWAY PLANS FOR LOCATIONS

1 SEE CROSS SECTIONS SHEETS FOR INFORMATION

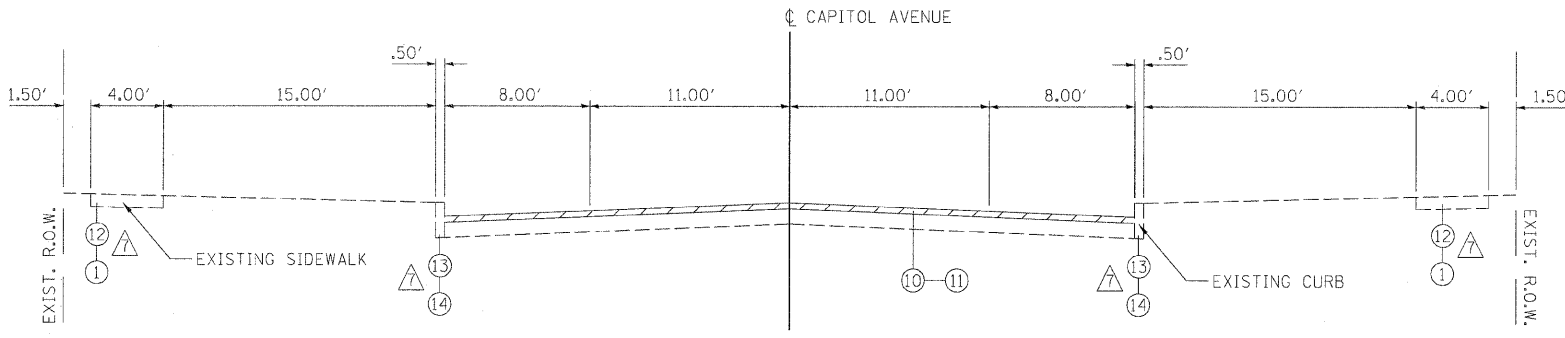


OUTER BAND FEATURES INCLUDE
CUSTOM FENCE
STANDARD BENCH
TRASH RECEPTACLE

INNER BAND FEATURES INCLUDE
STREET LIGHTS
PEDESTRIAN LIGHTS
INTERPRETIVE MARKER
CUSTOM PLANTER
LIMESTONE BENCH
WATER VENDOR ACCESS
ELECTRIC VENDOR ACCESS

- LEGEND**
- 1 PCC SIDEWALK 4 INCH
 - 2 PCC SIDEWALK 4 INCH (SMOOTH FINISH)
 - 3 SAND BEDDING LAYER, 1"
 - 4 SUB-BASE GRANULAR MATERIAL, TYPE A 4"
 - 5 PORTLAND CEMENT CONCRETE PAVEMENT 7" (JOINTED)
 - 6 COMBINATION CONCRETE CURB AND GUTTER, TYPE B-6.18
 - 7 CONCRETE GUTTER
 - 8 CONCRETE PAVERS, 3 1/8 "
 - 9 4" PIPE UNDERDRAIN
 - 10 HOT-MIX ASPHALT SURFACE REMOVAL, 2"
 - 11 HOT-MIX ASPHALT SURFACE COURSE, MIX "C", N50 2"
 - 12 SIDEWALK REMOVAL
 - 13 COMBINATION CURB AND GUTTER REMOVAL
 - 14 COMBINATION CONCRETE CURB AND GUTTER, TYPE B-6.06 (MODIFIED)
 - 15 PIPE UNDERDRAIN (SPECIAL)
 - 16 TOPSOIL (SEE PLANTING PLANS)

- NOTES**
- 1 SEE PLANTING PLANS FOR DETAILS
 - 2 SIDEWALK OUTER BAND
 - 3 SIDEWALK INNER BAND
 - 4 FEATURES LOCATED ON THE SIDEWALK OUTER BAND TO BE CENTERED ON THE BAND
 - 5 FEATURES LOCATED ON THE SIDEWALK INNER BAND TO BE CENTERED ON THE BAND
 - 6 WEEP HOLES TO BE FORMED WITH PAVEMENT AND FILLED WITH CA-16 (PEA GRAVEL)
 - 7 SEE ROADWAY PLANS FOR LOCATIONS
 - 8 MATCH EXISTING ELEVATION



CAPITOL AVENUE
EAST OF 12TH STREET (RESIDENTIAL)

HOT-MIX ASPHALT MIXTURE REQUIREMENTS			
ITEM	AGGREGATE COMPOSITION	ASPHALT GRADE	VOIDS
HMA SURFACE	IL - 12.5 MIX "C"	PG 64-22	4.0% @ N50

PCC PAVEMENT		
STRUCTURAL DESIGN TRAFFIC		YEAR 2017
PV = 1759	SU = -	MU = 36
ROAD/STREET CLASSIFICATION:		CLASS III
PERCENT OF STRUCTURAL DESIGN TRAFFIC IN DESIGN LANE:		
P = 98%	S = -	M = 2%
TRAFFIC FACTOR:		ACTUAL TF = 0.14 AC TYPE = N/A
		MINIMUM TF = N/A
PG GRADE: BINDER = N/A		SURFACE = N/A
SUBGRADE SUPPORT RATING:		
SSR = POOR		

REVISIONS	
NAME	DATE

ILLINOIS DEPARTMENT OF TRANSPORTATION
PROPOSED TYPICAL SECTIONS

FAU RTE 7982 CAPITOL AVE
SEC NO. 10-00447-04-PV
SANGAMON COUNTY, ILLINOIS

SCALE: VERT.
HORIZ.
DATE 11/19/10

DRAWN BY RSJ
CHECKED BY MH



LAYOUT DATE: 02/23/07
DRAWN DATE: 02/23/07
REVIEWED DATE: 09/19/07

FILE NAME: I:\2007\09\02\2041A\CADD\Road\Microstation\Sheet\Section_3-11th - 18th\C-207_PRL.TYP.dgn
PLOT SCALE: 1/8" = 1'-0"
USER NAME: J. Johnson