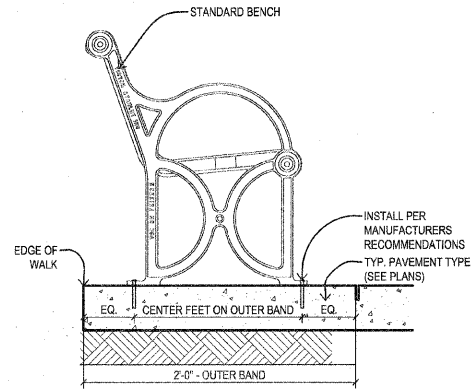
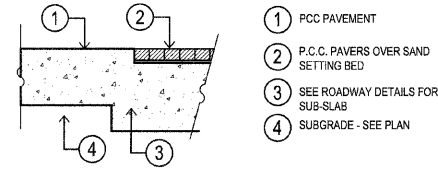


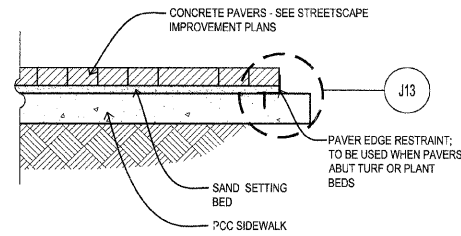
F.A.U. RTE.	SECTION	COUNTY	TOTAL SHEETS	SHEET NO.
7982		SANGAMON	63	39
STA.		TO STA.		
FED. ROAD DIST. NO.	ILLINOIS	FED. AID PROJECT		
10-00447-04-PV	CITY OF SPRINGFIELD			



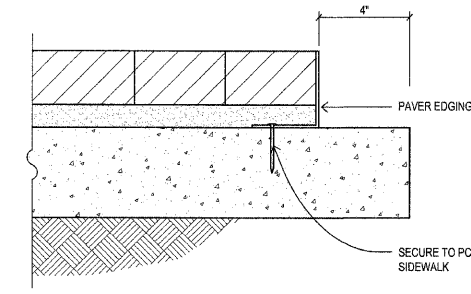
J9 TYP. METAL BENCH ATTACHMENT DETAIL
1/2" = 1'-0"
SIS-BENCH-ATTCH-1250



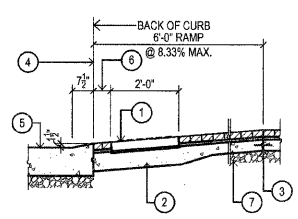
J11 SECTION: PCC PAVER @ PCC PAVEMENT
N.T.S. / DO NOT SCALE



J12 TYP. SECTION: SIDEWALK PCC PAVERS
N.T.S. / DO NOT SCALE

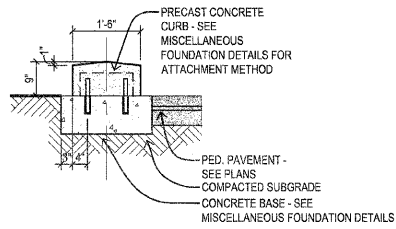


J13 TYP. SECTION: PAVER EDGE RESTRAINT
N.T.S. / DO NOT SCALE

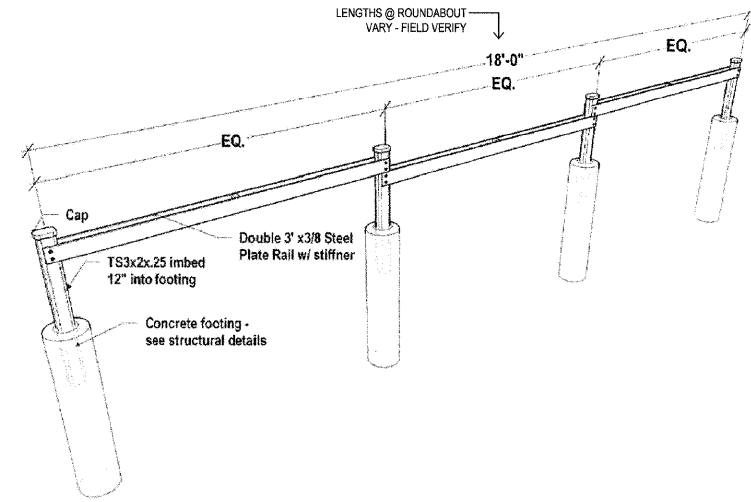


J14 TYP. SECT: CURB RAMP
N.T.S. / DO NOT SCALE

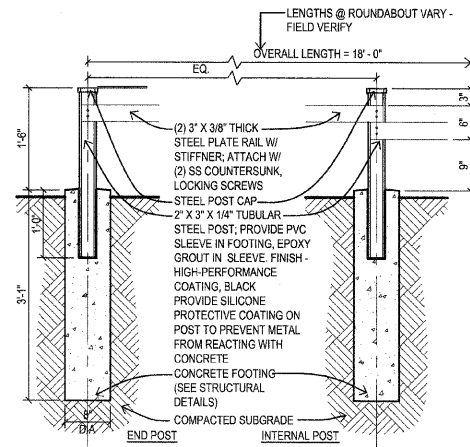
- KEYED NOTES (THIS DETAIL ONLY)**
- 1 DETECTABLE WARNING P.C.C. PAVER ON 1" SAND SETTING BED
 - 2 P.C.C. SIDEWALK
 - 3 DOWELED & KEyed CONST. JT.
 - 4 KEyed CONST. JT.
 - 5 ROADWAY PAVEMENT
 - 6 8" @ RAMP CENTER POINT @ BACK OF CURB
 - 7 COMPACTED SUBGRADE



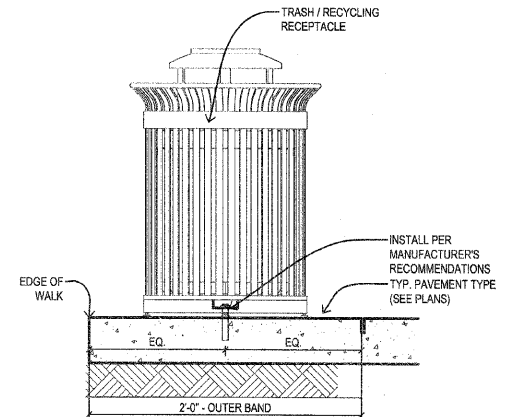
J4 PRECAST PLANTER EDGE - FRONT SECTION
1/2" = 1'-0"
CONC-CURB-RECP-8071-0417



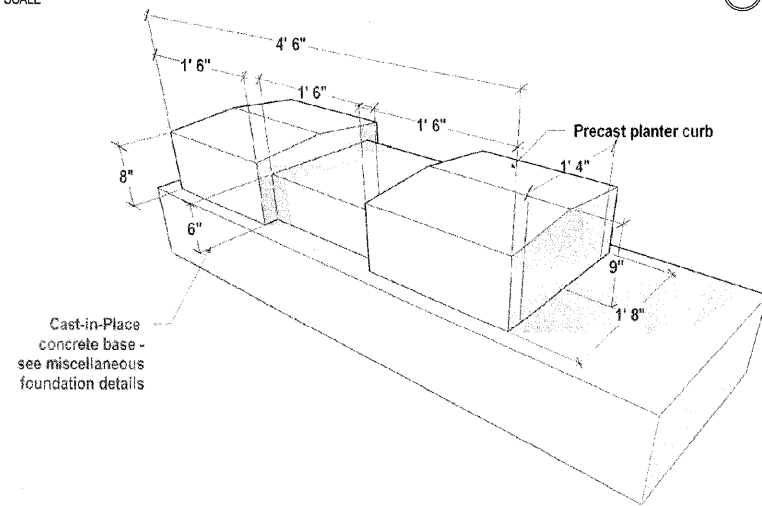
J5 STEEL PLANTER RAILING - PERSPECTIVE DETAIL
N.T.S. / DO NOT SCALE



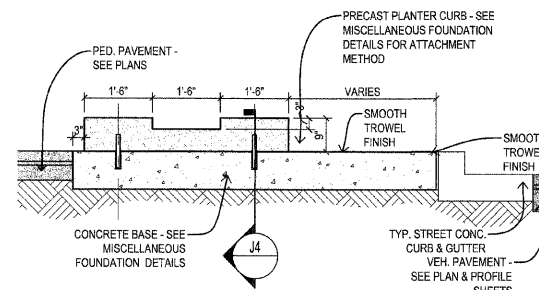
J6 STEEL PLANTER RAILING (W/ FOOTING) SECTION
3/4" = 1'-0"
SIS-PLANTER-RC-CURB-8070



J8 TYP. TRASH / REC. RECEPTACLE ATTACHMENT DETAIL
1/2" = 1'-0"
SIS-TRASH-REC-8072



J2 PRECAST PLANTER EDGE - TYPE 'II'
N.T.S. / DO NOT SCALE



J3 TYPE II PRECAST PLANTER EDGE - SIDE SECTION
1/2" = 1'-0"
CONC-CURB-RECP-8071-0417

REVISIONS	
NAME	DATE

ILLINOIS DEPARTMENT OF TRANSPORTATION
STREETScape IMPROVEMENT
DETAILS - SHEET J
FAU RTE 7982 CAPITOL AVE
SEC NO. 10-00447-04-PV
SANGAMON COUNTY, ILLINOIS

SCALE: VERT. _____
HORIZ. _____
DATE _____
DRAWN BY: JM
CHECKED BY: PD