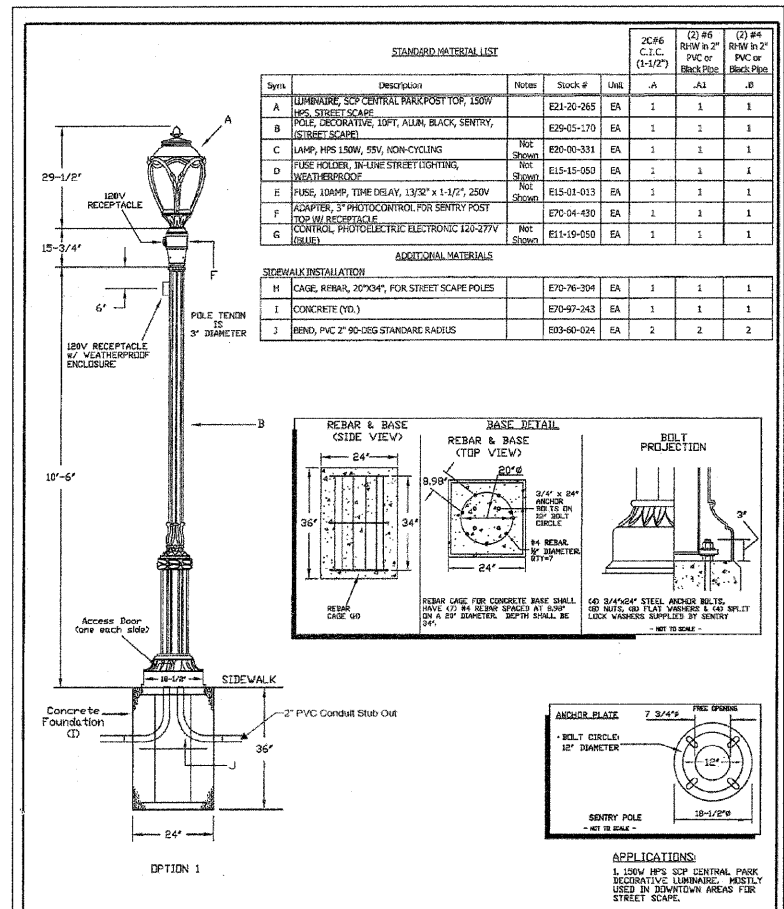
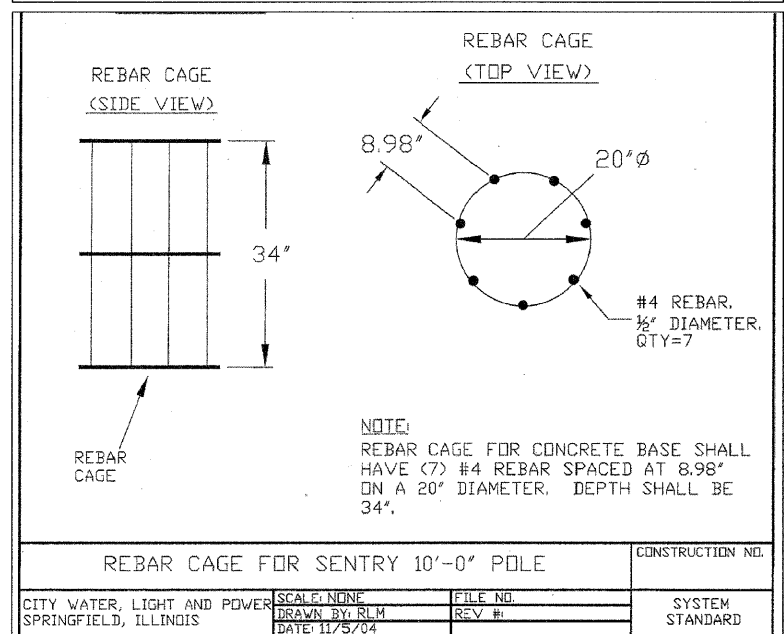


F.A.U. R.T.E.	SECTION	COUNTY	TOTAL SHEETS	SHEET NO.
7982		SANGAMON	63	50
STA. TO STA.		FED. ROAD DIST. NO. ILLINOIS FED. AID PROJECT		
		10-00447-04-PV CITY OF SPRINGFIELD		



DECORATIVE STREET LIGHT, SCP CENTRAL PARK, 150W HPS	CONSTRUCTION NO. SLD-15-600
CITY WATER, LIGHT AND POWER SPRINGFIELD, ILLINOIS	SCALE: NONE DRAWN BY: RLM DATE: 8-23-00
FILE NO. REV #5: 4/5/07 RLM	SYSTEM STANDARD

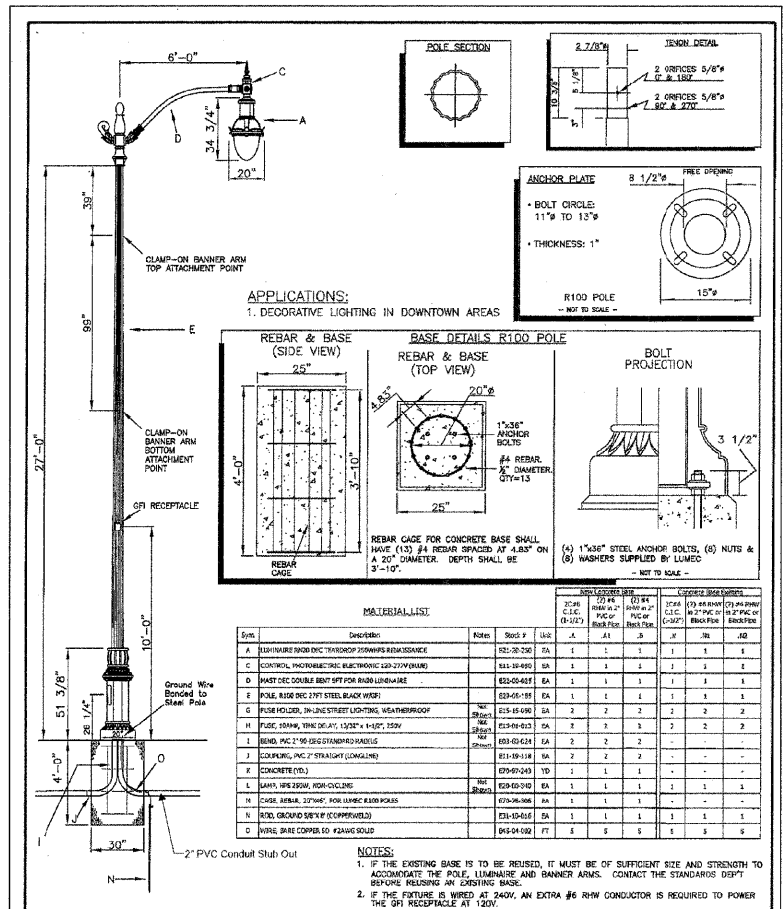


REBAR CAGE FOR SENTRY 10'-0" POLE	CONSTRUCTION NO.
CITY WATER, LIGHT AND POWER SPRINGFIELD, ILLINOIS	SCALE: NONE DRAWN BY: RLM DATE: 11/5/04
FILE NO. REV #:	SYSTEM STANDARD

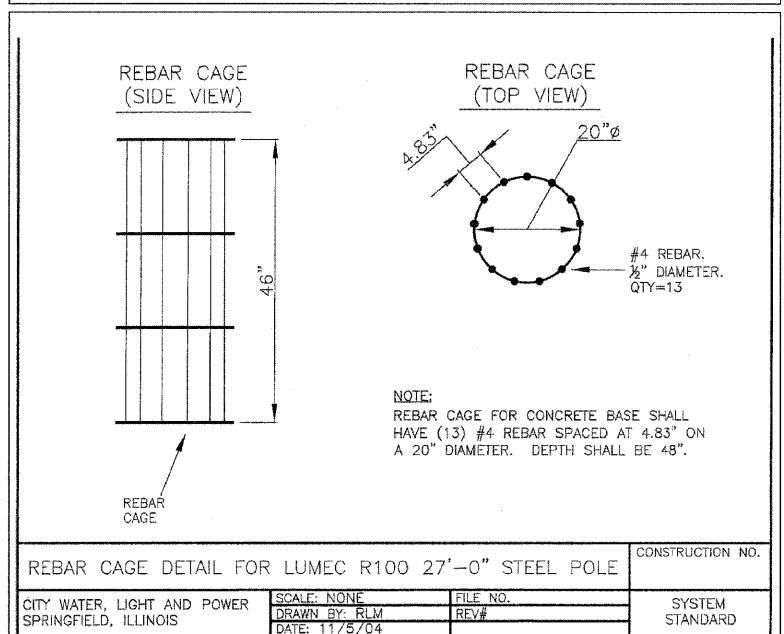
BILL OF MATERIAL
ONE DRILLED SHAFT FOUNDATION ONLY

DRILLED SHAFT CONCRETE FOUNDATION REINFORCEMENT BARS	CU.YD.	0.4
	POUND	27

48 DRILLED SHAFT CONCRETE FOUNDATIONS FOR PEDESTRIAN LIGHTS.



RN20 250W HPS DECORATIVE LUMINAIRE, R100 27'-0" STEEL POLE, 240V	CONSTRUCTION NO. SLD-20-600
CITY WATER, LIGHT AND POWER SPRINGFIELD, ILLINOIS	SCALE: NONE DRAWN BY: RLM DATE: 8/12/02
FILE NO. REV #7: 4/5/07 RLM	SYSTEM STANDARD

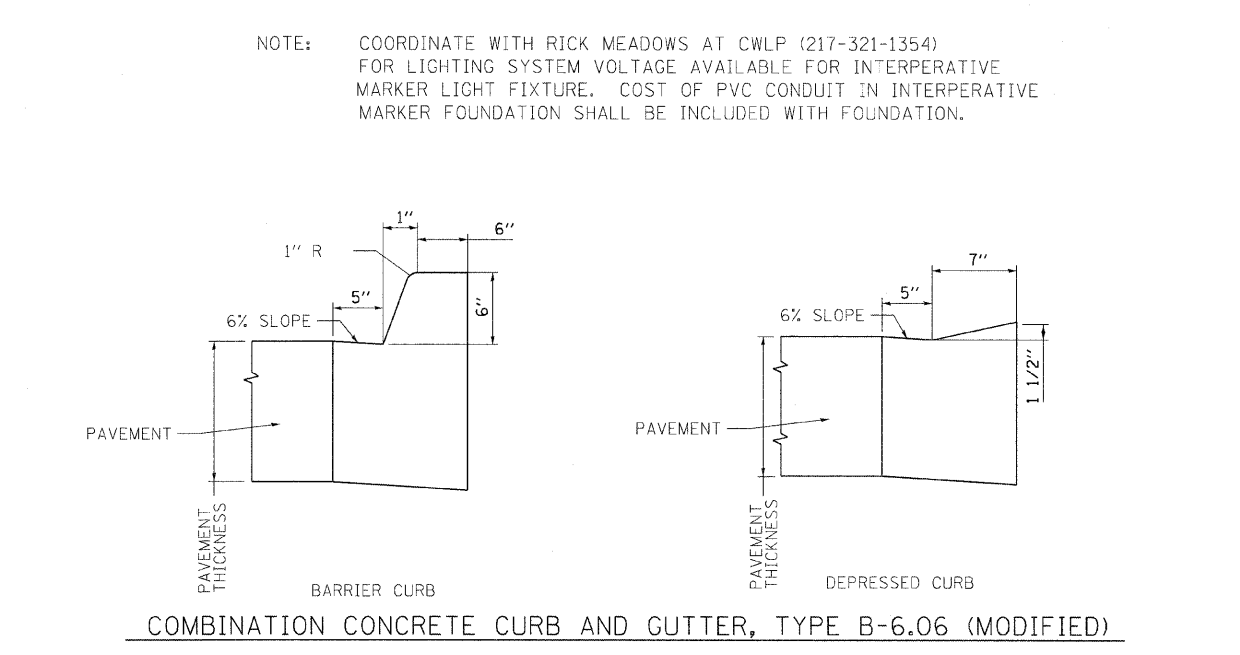
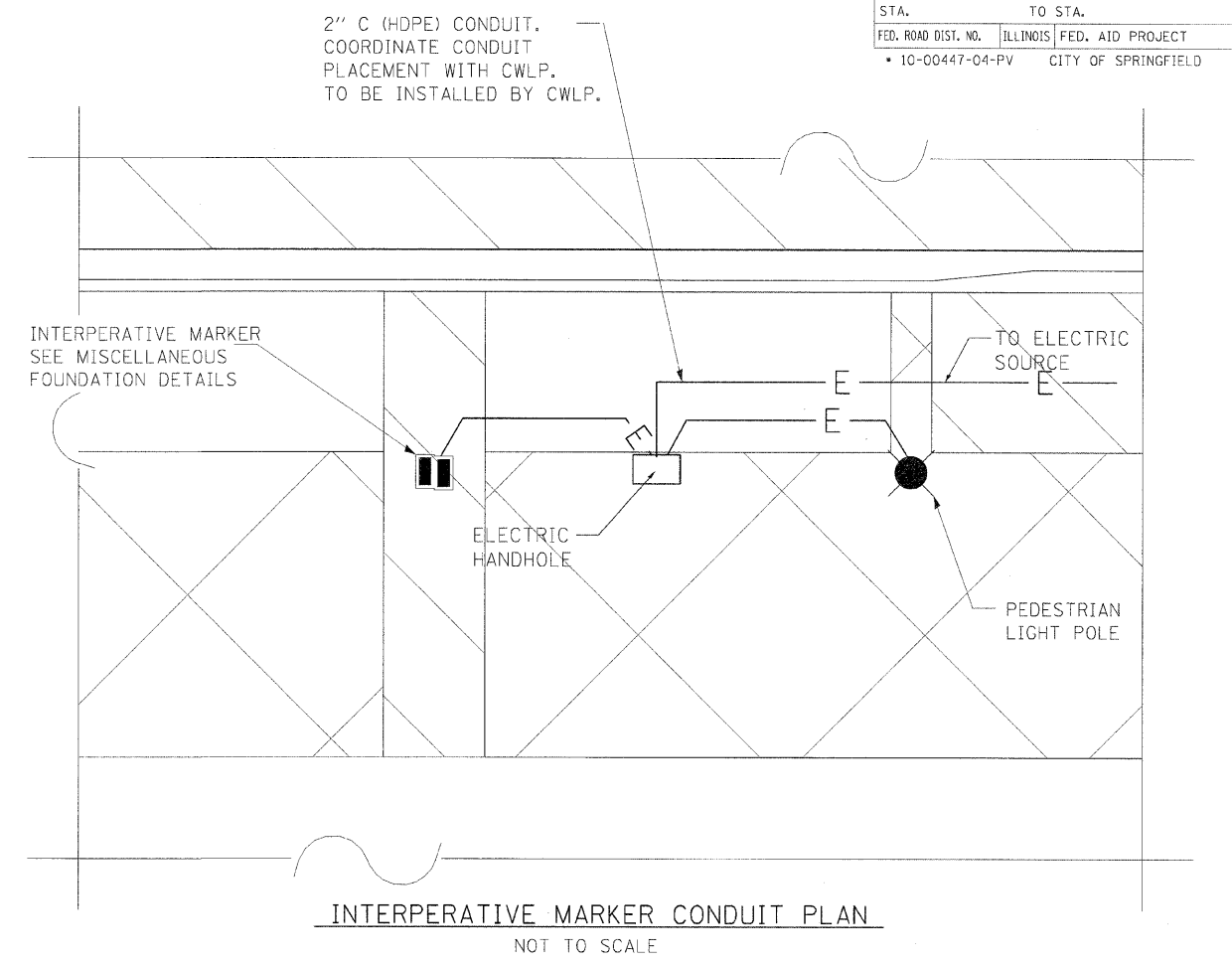


REBAR CAGE DETAIL FOR LUMEC R100 27'-0" STEEL POLE	CONSTRUCTION NO.
CITY WATER, LIGHT AND POWER SPRINGFIELD, ILLINOIS	SCALE: NONE DRAWN BY: RLM DATE: 11/5/04
FILE NO. REV #:	SYSTEM STANDARD

BILL OF MATERIAL
ONE DRILLED SHAFT FOUNDATION ONLY

DRILLED SHAFT CONCRETE FOUNDATION REINFORCEMENT BARS	CU.YD.	0.8
	POUND	52

26 DRILLED SHAFT CONCRETE FOUNDATIONS FOR STREET LIGHTS.



REVISIONS	NAME	DATE

ILLINOIS DEPARTMENT OF TRANSPORTATION
ROADWAY DETAILS

FAU RTE 7982 CAPITOL AVE
SEC NO. 10-00447-04-PV
SANGAMON COUNTY, ILLINOIS

SCALE: VERT. HORIZ. DATE 11/19/10

DRAWN BY: RSJ
CHECKED BY: MH