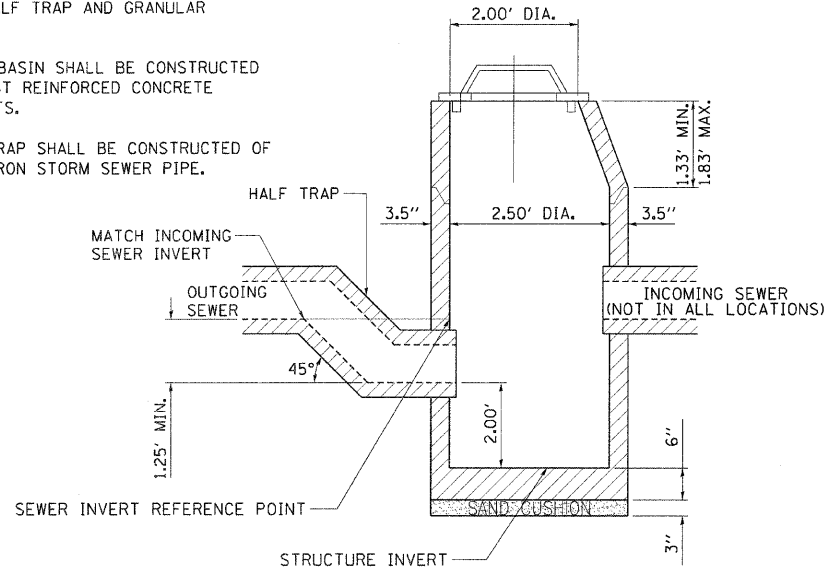
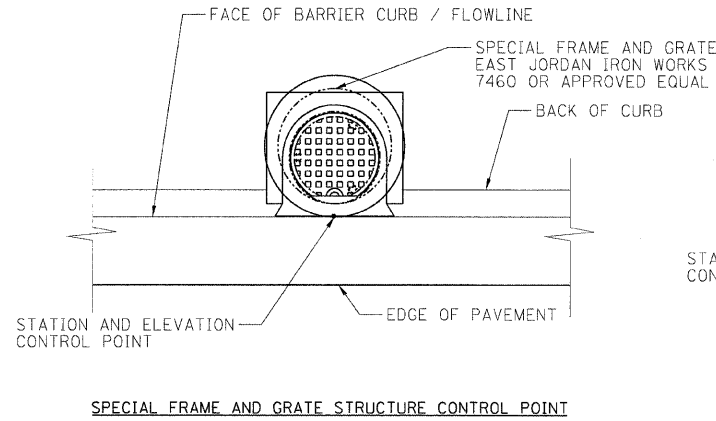


F.A.U. RTE.	SECTION	COUNTY	TOTAL SHEET SHEETS	SHEET NO.
7982		SANGAMON	63	51
STA.		TO STA.		
FED. ROAD DIST. NO.		ILLINOIS FED. AID PROJECT		
10-00447-04-PV		CITY OF SPRINGFIELD		

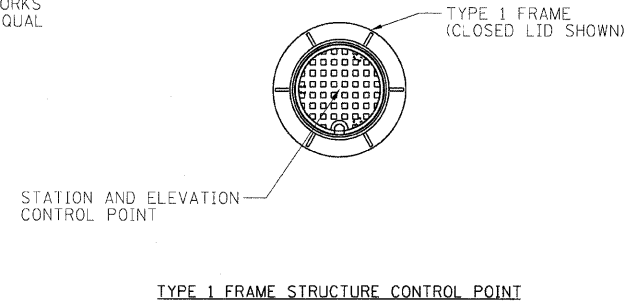
- NOTES:
- CATCH BASIN SHALL INCLUDE THE COST OF THE HALF TRAP AND GRANULAR BACKFILL.
  - CATCH BASIN SHALL BE CONSTRUCTED OF PRECAST REINFORCED CONCRETE COMPONENTS.
  - HALF TRAP SHALL BE CONSTRUCTED OF DUCTILE IRON STORM SEWER PIPE.



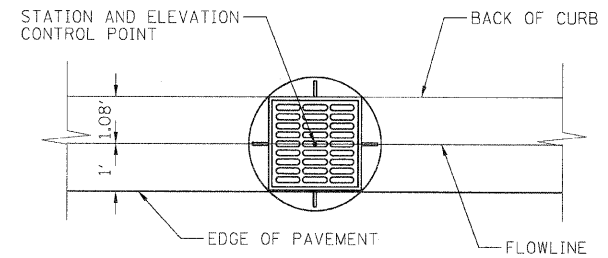
CATCH BASIN, TYPE G-1 & TYPE D



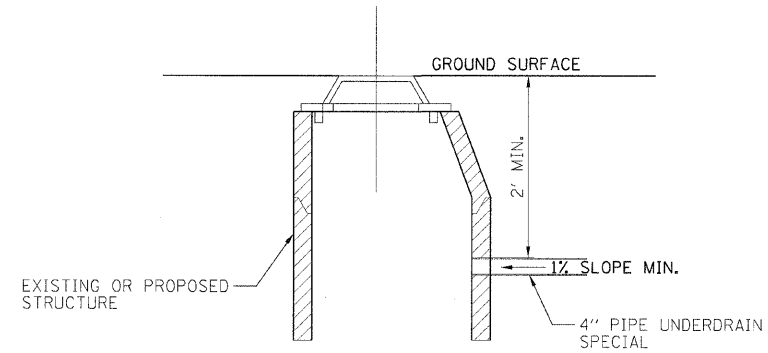
SPECIAL FRAME AND GRATE STRUCTURE CONTROL POINT



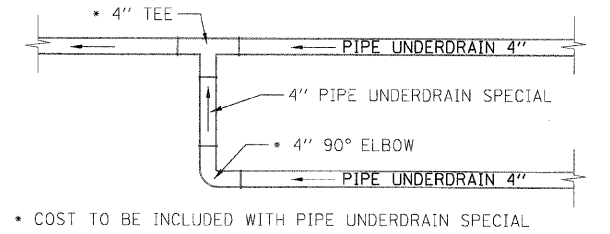
TYPE 1 FRAME STRUCTURE CONTROL POINT



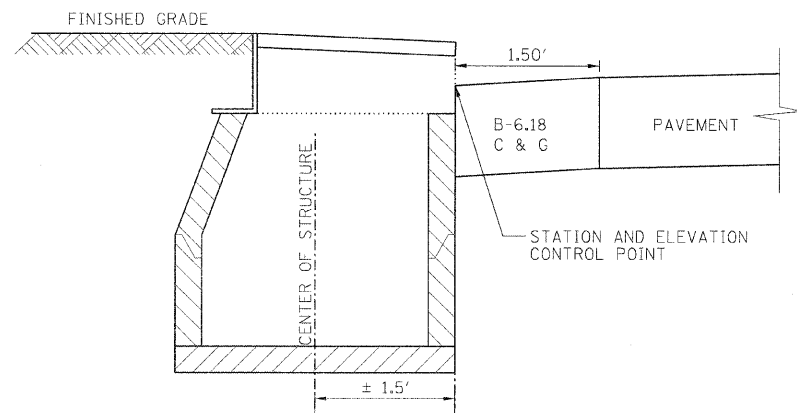
FRAME AND GRATE TYPE 20 (SPECIAL) STRUCTURE CONTROL POINT



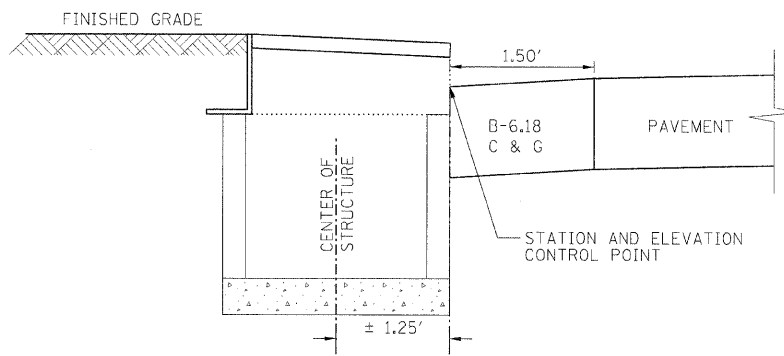
PIPE UNDERDRAIN SPECIAL STRUCTURE CONNECTION DETAIL



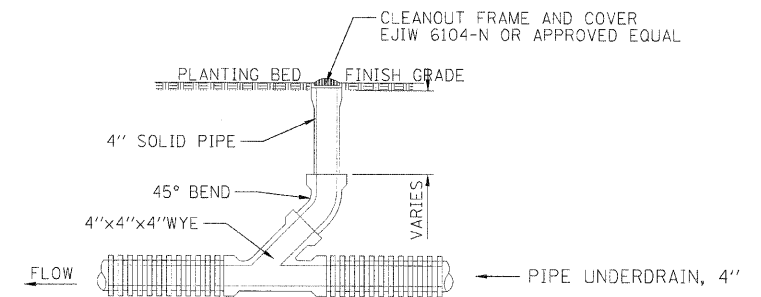
PIPE UNDERDRAIN SPECIAL UNDERDRAIN CONNECTION DETAIL



CATCH BASIN SPECIAL OFFSET TO SPECIAL FRAME AND GRATE CONTROL POINT



INLET TYPE A OFFSET TO SPECIAL FRAME AND GRATE CONTROL POINT



SECTION VIEW  
PIPE UNDERDRAIN CLEANOUT, COMPLETE DETAIL

REVISIONS	
NAME	DATE

ILLINOIS DEPARTMENT OF TRANSPORTATION  
DRAINAGE DETAILS

FAU RTE 7982 CAPITOL AVE  
SEC NO. 10-00447-04-PV  
SANGAMON COUNTY, ILLINOIS

SCALE: VERT.      DRAWN BY      RSJ  
HORIZ.              CHECKED BY      MH  
DATE 11/19/10



LAYOUT DATE: 02/23/07  
DRAWN DATE: 02/23/07  
REVIEWED DATE: 05/19/07

PLT DATE: 01/25/07  
FILE NAME: I:\02\05\07\0252041A\0400\Road\Structure\Sheet\Section\_3-11.dwg  
PLOT SCALE: 1/8" = 1'-0"  
USER NAME: J:\hanson\johanna