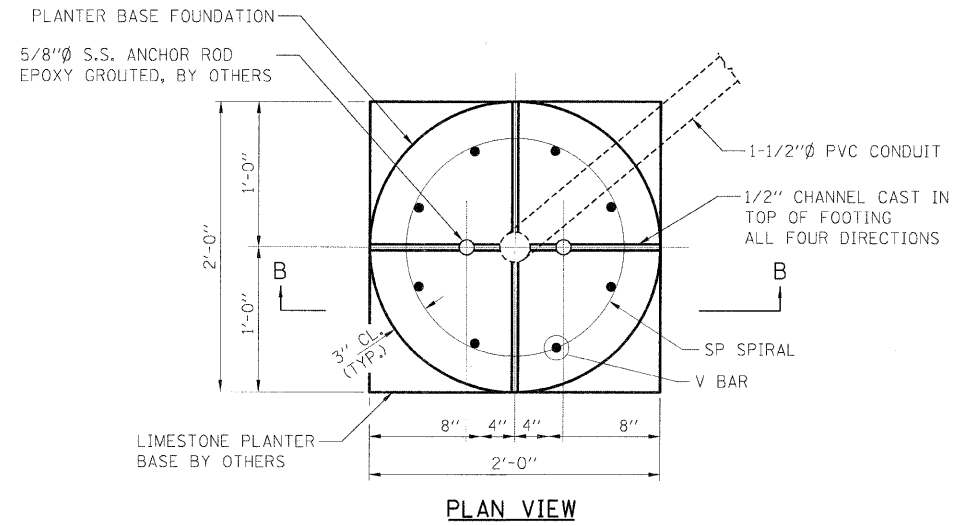


| F.A.U. RTE. | SECTION | COUNTY | TOTAL SHEETS | SHEET NO. |
|---------------------|----------------|---------------------|--------------|-----------|
| 7982 | | SANGAMON | 63 | 54 |
| STA. | TO STA. | | | |
| FED. ROAD DIST. NO. | ILLINOIS | FED. AID PROJECT | | |
| | 10-00447-04-PV | CITY OF SPRINGFIELD | | |

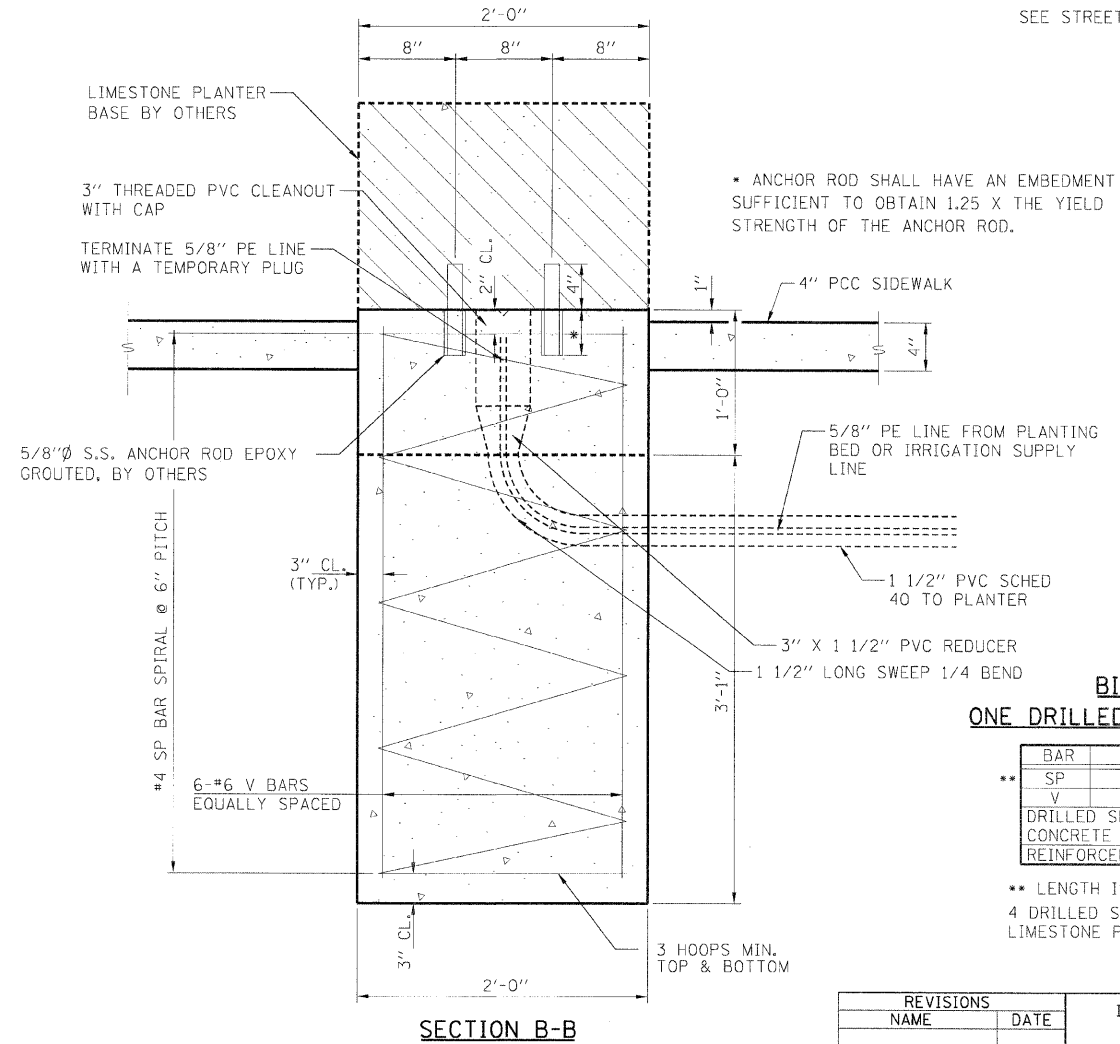


NOTES:
 STAINLESS STEEL ANCHOR RODS SHALL MEET THE REQUIREMENTS OF ASTM F593 (AISI 304/316). COST OF S.S. ANCHOR ROD SHALL BE INCLUDED WITH THE LIMESTONE PLANTER. THIS WORK SHALL BE COMPLETED BY OTHERS.

THE DETAILS ON THIS PAGE MAY NOT REPRESENT ACTUAL CONDITIONS. SEE PLAN SHEETS FOR SURROUNDING FEATURES.

COST OF PVC CONDUIT SHALL BE INCLUDED WITH DRILLED SHAFT CONCRETE FOUNDATION.

SEE STREETScape PLANS FOR LOCATIONS.



MIN. BAR LAPS
 #4 SPIRALS: 2'-0"

BILL OF MATERIAL
ONE DRILLED SHAFT FOUNDATION ONLY

| BAR | NO. | SIZE | LENGTH | SHAPE | |
|-----------------------------------|-----|------|--------|---------|-----|
| SP | 1 | #4 | 3'-8" | W | |
| V | 6 | #6 | 3'-9" | W | |
| DRILLED SHAFT CONCRETE FOUNDATION | | | | CU. YD. | 0.5 |
| REINFORCEMENT BARS | | | | POUND | 80 |

** LENGTH IS HEIGHT OF SPIRAL
 4 DRILLED SHAFT CONCRETE FOUNDATIONS FOR LIMESTONE PLANTERS REQUIRED.

DRILLED SHAFT CONCRETE FOUNDATION FOR LIMESTONE PLANTER

| REVISIONS | |
|-----------|------|
| NAME | DATE |
| | |
| | |
| | |
| | |
| | |
| | |
| | |
| | |
| | |
| | |

ILLINOIS DEPARTMENT OF TRANSPORTATION
 LIMESTONE PLANTER FOUNDATION
 FAU RTE 7982 CAPITOL AVE
 SEC NO. 10-00447-04-PV
 SANGAMON COUNTY, ILLINOIS

SCALE: VERT. DATE 11/19/10
 HORIZ. DRAWN BY DAB
 CHECKED BY MNM